

THIS DRAWING IS UNPUBLISHED.

RELEASED FOR PUBLICATION

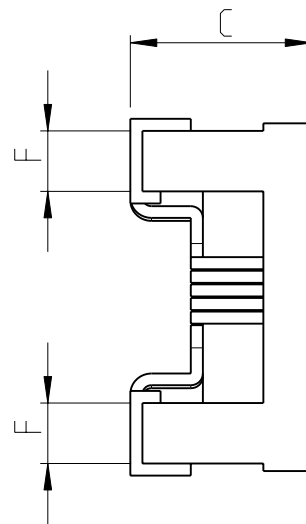
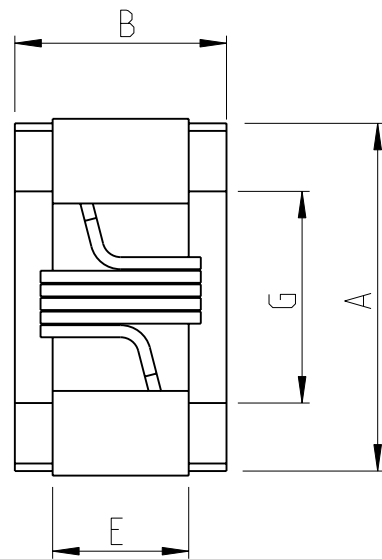
20

© COPYRIGHT 20

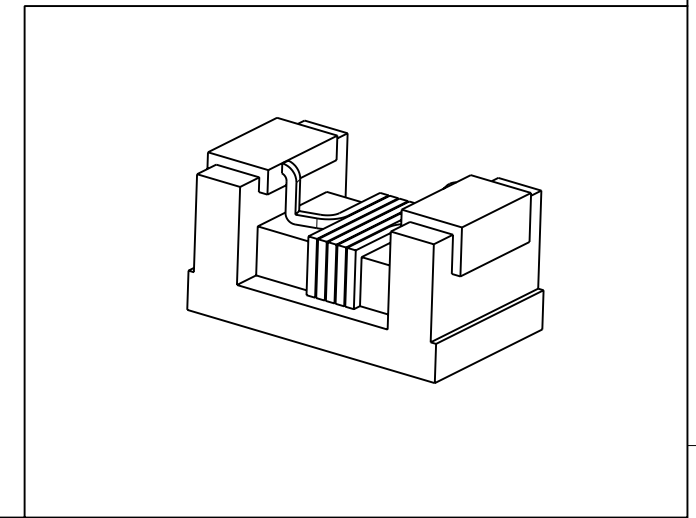
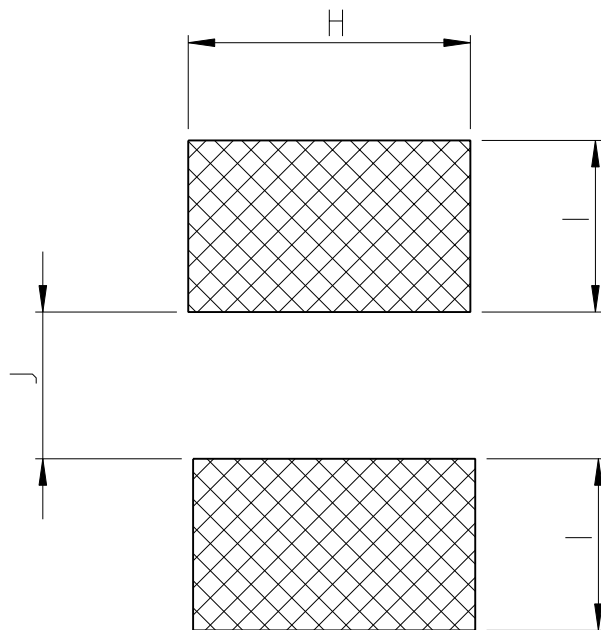
BY -

ALL RIGHTS RESERVED.


LOC		DIST		REVISIONS			
P	LTR	DESCRIPTION		DATE	DWN	APVD	
-	-	BA	NEW DRAWING	24APR2012	KR	ST.P	



FOR FURTHER INFORMATION SEE DATA SHEET FOR 3650 SERIES-LOW INDUCTANCE,HIGH FREQUENCY CHIP INDUCTOR



SERIES	A Max.	B Max.	C Max.	E	F	G	H	I	J
3654 1E	1.15	0.70	0.60	0.45	0.20	0.60	0.65	0.35	0.50

THIS DRAWING IS A CONTROLLED DOCUMENT.		DWN RAGHAVENDRA K 24APR2012	 TE Connectivity	
DIMENSIONS: mm		CHK ALLAN P 24APR2012		
TOLERANCES UNLESS OTHERWISE SPECIFIED:		APVD STEPHEN.P 24APR2012	NAME -	
0 PLC ±-		PRODUCT SPEC	CHIP INDUCTOR TYPE 3654 0201 SERIES	
1 PLC ±0.5		-	SIZE	CAGE CODE
2 PLC ±0.2		APPLICATION SPEC	DRAWING NO	RESTRICTED TO
3 PLC ±0.1		-	A3	00779
4 PLC ±0.0001		WEIGHT	0.001 GRAM	©=2176086
ANGLES ±		CUSTOMER DRAWING	SCALE	SHEET
FINISH		-	32:1	1 OF 1
MATERIAL		-	REV	BA

X-ON Electronics

Largest Supplier of Electrical and Electronic Components

Click to view similar products for [Fixed Inductors](#) category:

Click to view products by [TE Connectivity](#) manufacturer:

Other Similar products are found below :

[MLZ1608M6R8WTD25](#) [MLZ1608N6R8LT000](#) [MLZ1608N3R3LTD25](#) [MLZ1608N3R3LT000](#) [MLZ1608N150LT000](#)

[MLZ1608M150WTD25](#) [MLZ1608M3R3WTD25](#) [MLZ1608M3R3WT000](#) [MLZ1608M150WT000](#) [MLZ1608A1R5WT000](#)

[MLZ1608N1R5LT000](#) [B82432C1333K000](#) [PCMB053T-1R0MS](#) [PCMB053T-1R5MS](#) [PCMB104T-1R5MS](#) [CR32NP-100KC](#) [CR32NP-](#)

[151KC](#) [CR32NP-180KC](#) [CR32NP-181KC](#) [CR32NP-1R5MC](#) [CR32NP-390KC](#) [CR32NP-3R9MC](#) [CR32NP-680KC](#) [CR32NP-820KC](#)

[CR32NP-8R2MC](#) [CR43NP-390KC](#) [CR43NP-560KC](#) [CR43NP-680KC](#) [CR54NP-181KC](#) [CR54NP-470LC](#) [CR54NP-820KC](#) [CR54NP-8R5MC](#)

[MGDQ4-00004-P](#) [MGDU1-00016-P](#) [MHL1ECTTP18NJ](#) [MHL1JCTTD12NJ](#) [PE-51506NL](#) [PE-53601NL](#) [PE-53630NL](#) [PE-53824SNLT](#) [PE-](#)

[62892NL](#) [PE-92100NL](#) [PG0434.801NLT](#) [PG0936.113NLT](#) [PM06-2N7](#) [PM06-39NJ](#) [HC2LP-R47-R](#) [HC2-R47-R](#) [HC3-2R2-R](#) [HC8-1R2-R](#)