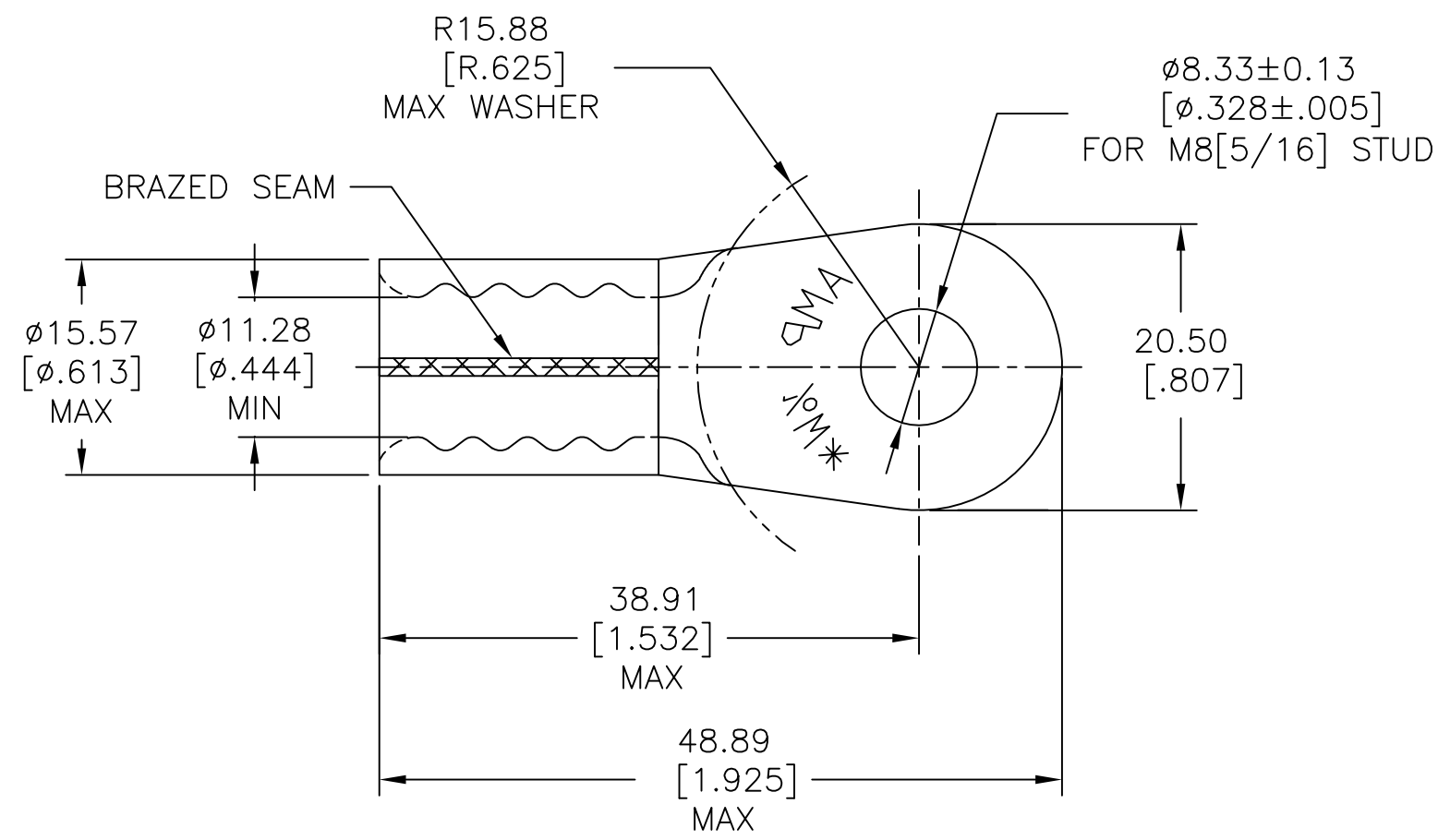


P	LTR	DESCRIPTION	DATE	DWN	APVD
F6		REVISED PER ECO-14-015173	08OCT2014	NK	DR
F7		REVISED PER ECO-17-004099	28AUG2017	RS	DR



AMP WIRE RANGE	E13288 Listed
1/0 AWG SOLID OR STRANDED	1/0 AWG SOLID OR STRANDED
LR7189 Certified	MILITARY P/N AND CLASS
1/0 AWG SOLID OR STRANDED	

- TIN PL 0.00254[.000100] MIN THK PER ASTM B-545.
- NICKEL PLATE 0.00762 [.000300] MIN EXT. THK PER QQ-N-290.
- MS20659-151 CLASS 2.
- 4 MATERIAL THICKNESS: 1.78±0.05[.070±.002]
- GOLD PLATE 0.00127[.000050] MIN EXT. THK. PER ASTM B488, TYPE 1, CODE C OVER NICKEL PLATE 0.00127[.000050] MIN. EXT. THK PER SAE AMS QQ-N-290 OVER Cu FLASH PER SAE AMS 2418.

260°C [500°F]	50	LOOSE PIECE		321867-3
343°C [649°F]	50	LOOSE PIECE		321867-2
170°C [338°F]	50	LOOSE PIECE		321867
MAX TEMP RATING	QTY	PACKAGE TYPE	FINISH	PART NO.

MAX RECOMMENDED OPERATING TEMPERATURE: SEE TABLE	THIS DRAWING IS A CONTROLLED DOCUMENT.		DWN DK SCHRUM 8/30/91	TE Connectivity			
	VOLTAGE RATING: N/A	DIMENSIONS: mm [INCHES]	TOLERANCES UNLESS OTHERWISE SPECIFIED: 0 PLC ± - 1 PLC ± - 2 PLC ± 0.20[.008] 3 PLC ± - 4 PLC ± - ANGLES ± -				CHK RD HEIM 9/30/91
CIRCULAR MIL AREA: 42.4-60.6mm²[83,700-118,500] SOLID OR STRANDED	MATERIAL COPPER PER ASTM B152 ANNEALED	FINISH SEE TABLE	PRODUCT SPEC -	TERMINAL, RING TONGUE, SOLISTRAND, STRATO-THERM, WIRE SIZE 50.0mm² [1/0] AWG			
			APPLICATION SPEC -	SIZE	CAGE CODE	DRAWING NO	RESTRICTED TO
			WEIGHT -	A3	00779	C=321867	-
			CUSTOMER DRAWING	SCALE	SHEET	REV	
				2:1	1 OF 1	F7	

X-ON Electronics

Largest Supplier of Electrical and Electronic Components

Click to view similar products for [Terminals](#) category:

Click to view products by [TE Connectivity](#) manufacturer:

Other Similar products are found below :

[00-054007-01074-6](#) [00-054007-70206-1](#) [00-054007-70210-8](#) [00-054007-70217-7](#) [00-054007-70226-9](#) [00-054007-70228-3](#) [00-054007-70248-1](#) [00-054007-70256-6](#) [00-054007-70301-3](#) [00-054007-70316-7](#) [00-054007-49560-4](#) [00-054007-70209-2](#) [00-054007-70225-2](#) [00-054007-70227-6](#) [00-054007-70231-3](#) [00-054007-70241-2](#) [00-054007-70242-9](#) [00-054007-70244-3](#) [00-054007-70246-7](#) [00-054007-70263-4](#) [00-054007-70288-7](#) [00-054007-70290-0](#) [00-054007-70300-6](#) [00-054007-70304-4](#) [01-2065-1-0216](#) [01-2900-1-04412](#) [00581P0075](#) [600TS-10](#) [60205-1](#) [604200-1](#) [605601-1](#) [60598-1-CUT-TAPE](#) [61314-6-C](#) [61810-3](#) [61-S](#) [61-SN](#) [626-0194](#) [62-NBM-A](#) [62-SN](#) [62-SP](#) [63-S](#) [640179-1](#) [M55155/059I03](#) [M55155/079C01](#) [M55155/099H02](#) [M55155/109H01](#) [M55155/109H02](#) [M55155/12XH05](#) [M55155/16XH02](#) [M55155/29-5S](#)