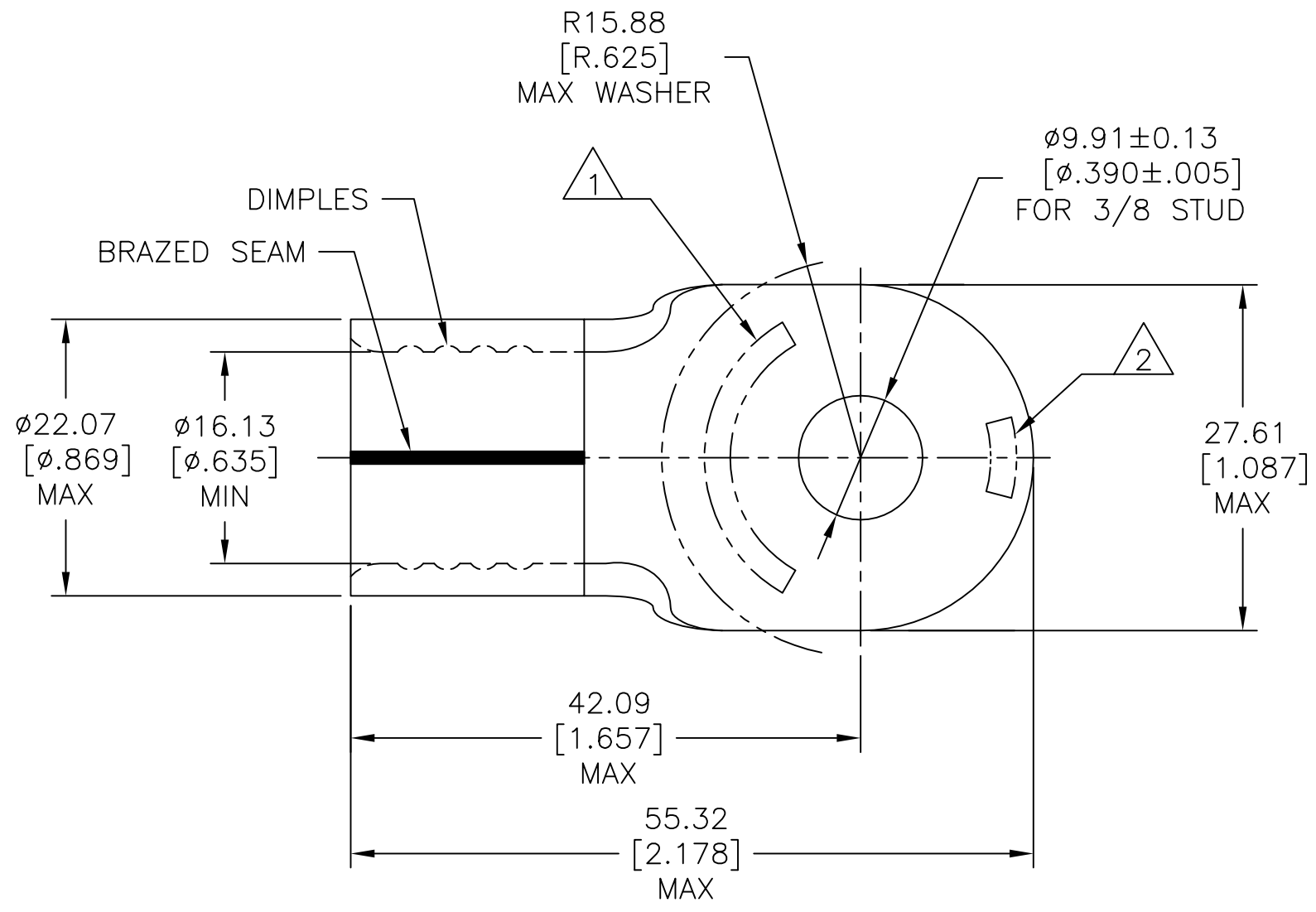


REVISIONS					
P	LTR	DESCRIPTION	DATE	DWN	APVD
	H2	REVISED PER ECO-12-002699	13FEB12	KH	DR
	H3	REVISED PER ECO-17-004099	28AUG2017	RS	DR

AMP WIRE RANGE	E13288 Listed
4/0 AWG SOLID OR STRANDED	4/0 AWG SOLID OR STRANDED
LR7189 Certified	MILITARY P/N AND CLASS
4/0 AWG SOLID OR STRANDED	MS 20659-123 CLASS 2



- 1 STAMP AMP 4/0W* APPROX AS SHOWN.
- 2 STAMP AMP 200 APPROX AS SHOWN.
- 3 MATERIAL THK: 2.59±0.08 [.102±.003].
- 4 TIN PLATE 0.00254[.000100] MIN EXT. THK PER ASTM B545.
- 5 NICKEL PLATE 0.00762[.000300] MIN EXT THK PER SAE AMS QQ-N-290.
- 6 PART IS NOT UL LISTED OR CSA CERTIFIED OR MILITARY QUALIFIED.

6	5	343°C [650°F]	50	LOOSE PIECE	321878-1
4		170°C [338°F]			321878
		RECOMMENDED OPERATING TEMP.	QTY.	PACKAGE TYPE	PART NUMBER

AMP INCORPORATED
CUSTOMER SERVICE SYSTEMS

FOR ADDITIONAL PRODUCT INFORMATION OR COPIES OF DRAWINGS AND TECHNICAL DOCUMENTS
 PRODUCT INFORMATION CENTER
 1-800-522-6752

FOR APPLICATION TOOLING INFORMATION
 TOOLING ASSISTANCE CENTER
 1-800-722-1111

FOR ORDER ENTRY
 1-800-526-5142

MAX RECOMMENDED OPERATING TEMPERATURE:
 SEE TABLE

VOLTAGE RATING:
 NOT APPLICABLE

WIRE CROSS SECTIONAL AREA RANGE:
 96.3-117.0mm²[190,000-231,100] CIR MILS
 SOLID OR STRANDED

THIS DRAWING IS A CONTROLLED DOCUMENT.

DIMENSIONS:
 mm [INCHES]

TOLERANCES UNLESS OTHERWISE SPECIFIED:

0 PLC	± -
1 PLC	± -
2 PLC	± 0.20[.008]
3 PLC	± -
4 PLC	± -
ANGLES	± -

MATERIAL
 COPPER PER ASTM B-152 ANNEALED

FINISH

DWN DK SCHRUM 5/25/93
 CHK RD HEIM 1/27/94
 APVD RE ROSER 1/27/94

STE TE Connectivity

NAME
 TERMINAL, RING TONGUE,
 SOLISTRAND, STRATO-THERM,
 4/0 AWG

SIZE A3 CAGE CODE 00779 DRAWING NO C-321878 RESTRICTED TO -

WEIGHT -

CUSTOMER DRAWING SCALE 2:1 SHEET 1 OF 1 REV H3

X-ON Electronics

Largest Supplier of Electrical and Electronic Components

Click to view similar products for [Terminals](#) category:

Click to view products by [TE Connectivity](#) manufacturer:

Other Similar products are found below :

[00-054007-01074-6](#) [00-054007-70206-1](#) [00-054007-70210-8](#) [00-054007-70217-7](#) [00-054007-70226-9](#) [00-054007-70228-3](#) [00-054007-70248-1](#) [00-054007-70256-6](#) [00-054007-70301-3](#) [00-054007-70316-7](#) [0-0320562-0](#) [00-054007-49560-4](#) [00-054007-70209-2](#) [00-054007-70225-2](#) [00-054007-70227-6](#) [00-054007-70231-3](#) [00-054007-70241-2](#) [00-054007-70242-9](#) [00-054007-70244-3](#) [00-054007-70246-7](#) [00-054007-70263-4](#) [00-054007-70288-7](#) [00-054007-70290-0](#) [00-054007-70300-6](#) [00-054007-70304-4](#) [01-2065-1-0216](#) [01-2900-1-04412](#) [00581P0075](#) [600TS-10](#) [60205-1](#) [604200-1](#) [605601-1](#) [60598-1-CUT-TAPE](#) [61314-6-C](#) [61810-3](#) [61-S](#) [61-SN](#) [626-0194](#) [62-NBM-A](#) [62-SN](#) [62-SP](#) [63-S](#) [640179-1](#) [M55155/059I03](#) [M55155/079C01](#) [M55155/099H02](#) [M55155/109H01](#) [M55155/109H02](#) [M55155/12XH05](#) [M55155/16XH02](#)