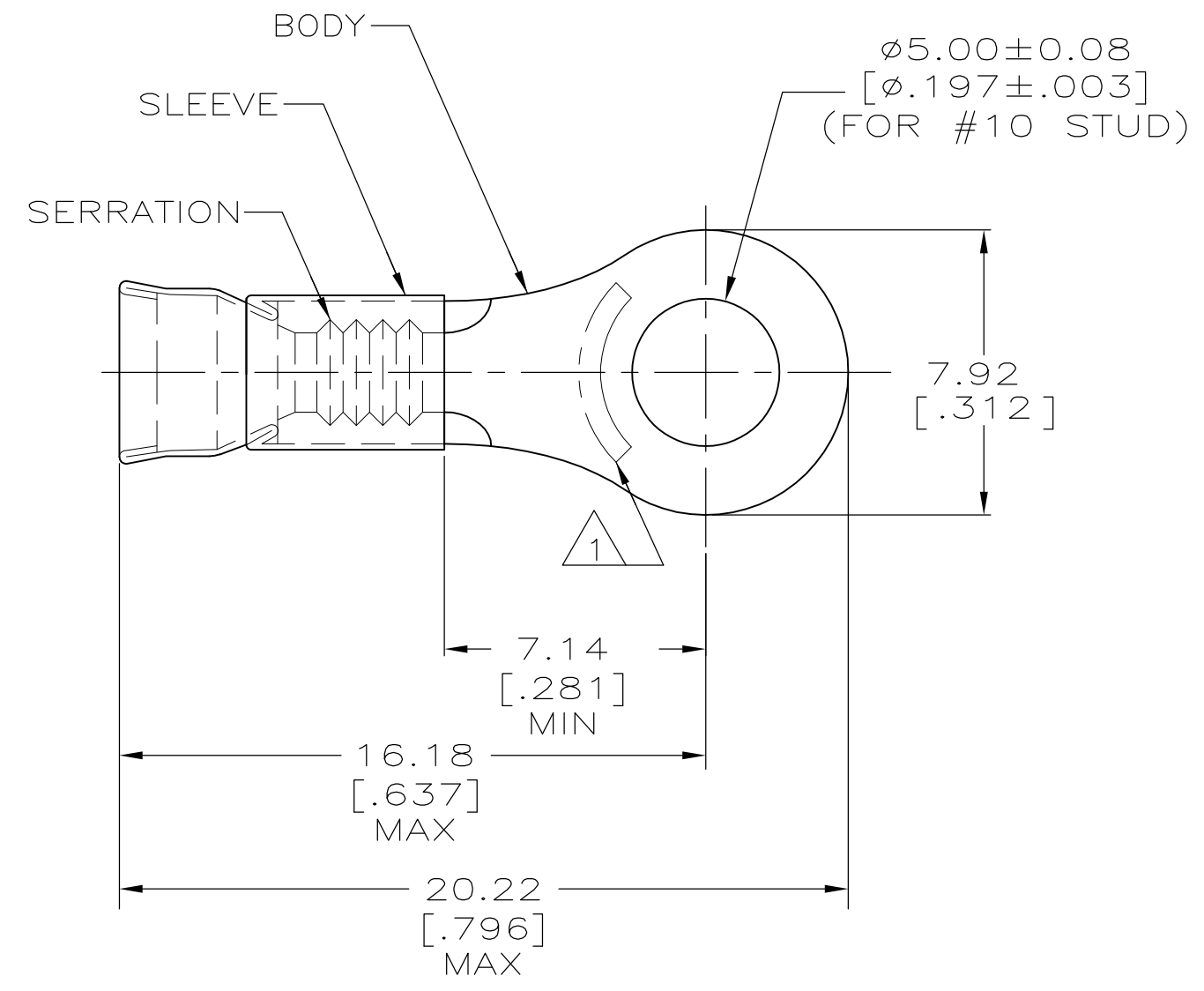


THIS DRAWING IS UNPUBLISHED. RELEASED FOR PUBLICATION
 © COPYRIGHT - By - ALL RIGHTS RESERVED.

LOC	DIST	REVISIONS			
P	LTR	DESCRIPTION	DATE	DWN	APVD
G	14	G5	REVISED PER ECO-15-006387	27APR2015	NK DR



- 1 22-18 STAMP AMP APPROX AS SHOWN
22-16 TERMINALS ARE STAMPED 22-18 IN ACCORDANCE WITH MILITARY SPEC SAE AS7928
COMMERCIAL WIRE RANGE IS 22-16
- 2 WIRE INSUL DIA, 2.67-3.56[.105-.140]
- 3 TONGUE MATL THK, 0.79±0.05[.031±.002]
- 4 PRELIMINARY-NOT FOR PRODUCTION.
- 5 BODY: GOLD PLATE 0.00127[.000050]MIN EXT. THK PER ASTM B488 TYPE 1, CODE C OVER NICKEL FLASH PER SAE AMS QQ-N-290 OVER WOODS, NICKEL FLASH PER ASTM B558.
- 6 CARBON CONTENT ≤.02%

MAX OPERATING TEMP	FINISH	STAMPING	BODY MATERIAL	SLV COLOR	QTY	PACKAGE TYPE	PART NO
649°C [1200°F]	-	AMP 22-18	NICKEL PER ASTM B162	ORANGE	5000	ON TAPE, REEL	1-321898-1
649°C [1200°F]	-	AMP 22-18AL	ALUMEL	GREEN	500	LOOSE PIECE	1-321898-0
260°C [500°F]	5	AMP 22-18	NICKEL PER ASTM B162	ORANGE	1000	LOOSE PIECE	321898-1
649°C [1200°F]	-	AMP 22-18	NICKEL PER ASTM B162	ORANGE	1000	LOOSE PIECE	321898

AMP INCORPORATED CUSTOMER SERVICE SYSTEM		MAX RECOMMENDED OPERATING TEMPERATURE: SEE TABLE	THIS DRAWING IS A CONTROLLED DOCUMENT.		DWN L OLMEDA 100CT94	TE Connectivity NAME TERMINAL, RING TONGUE, STRATOTHERM, DIAMOND GRIP, WIRE SIZE: 22-16 AWG		
FOR ADDITIONAL PRODUCT INFORMATION OR COPIES OF DRAWINGS AND TECHNICAL DOCUMENTS	PRODUCT INFORMATION CENTER 1-800-522-6752	VOLTAGE RATING: -	DIMENSIONS: mm [INCHES]	TOLERANCES UNLESS OTHERWISE SPECIFIED:	CHK M ELLIS 100CT94			
FOR APPLICATION TOOLING INFORMATION	TOOLING ASSISTANCE CENTER 1-800-722-1111	CIRCULAR MIL AREA: 0.26mm ² -1.65mm ² [509-3260]	 MATERIAL BODY, SEE TABLE SLEEVE, NI SIL PER ASTM B122		APVD S BORTNER 100CT94	WEIGHT	A3 00779 C-321898	
FOR ORDER ENTRY	1-800-526-5142	STRANDED WIRE	FINISH SLV COLOR, SEE TABLE		PRODUCT SPEC	RESTRICTED TO		SCALE 6:1 SHEET 1 OF 1 REV G5

X-ON Electronics

Largest Supplier of Electrical and Electronic Components

Click to view similar products for [Terminals](#) category:

Click to view products by [TE Connectivity](#) manufacturer:

Other Similar products are found below :

[00-054007-01074-6](#) [00-054007-70206-1](#) [00-054007-70210-8](#) [00-054007-70217-7](#) [00-054007-70226-9](#) [00-054007-70228-3](#) [00-054007-70248-1](#) [00-054007-70256-6](#) [00-054007-70301-3](#) [00-054007-70316-7](#) [0-0320562-0](#) [00-054007-49560-4](#) [00-054007-70209-2](#) [00-054007-70225-2](#) [00-054007-70227-6](#) [00-054007-70231-3](#) [00-054007-70241-2](#) [00-054007-70242-9](#) [00-054007-70244-3](#) [00-054007-70246-7](#) [00-054007-70263-4](#) [00-054007-70288-7](#) [00-054007-70290-0](#) [00-054007-70300-6](#) [00-054007-70304-4](#) [01-2065-1-0216](#) [01-2900-1-04412](#) [00581P0075](#) [600TS-10](#) [60205-1](#) [604200-1](#) [605601-1](#) [60598-1-CUT-TAPE](#) [61314-6-C](#) [61810-3](#) [61-S](#) [61-SN](#) [626-0194](#) [62-NBM-A](#) [62-SN](#) [62-SP](#) [63-S](#) [640179-1](#) [M55155/059I03](#) [M55155/079C01](#) [M55155/099H02](#) [M55155/109H01](#) [M55155/109H02](#) [M55155/12XH05](#) [M55155/16XH02](#)