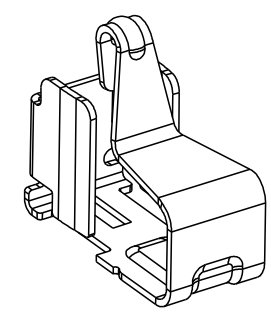
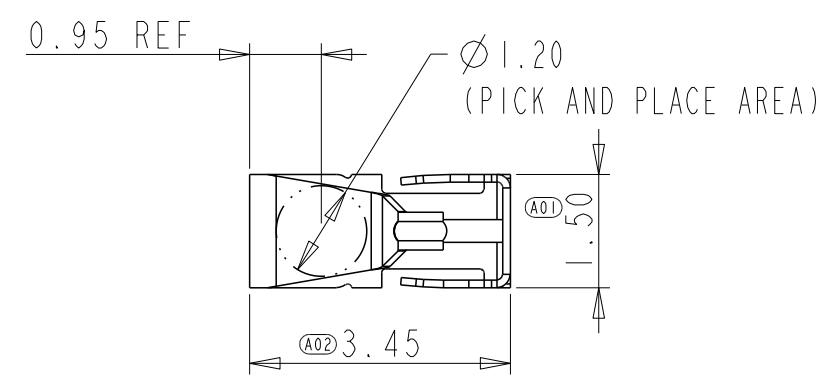
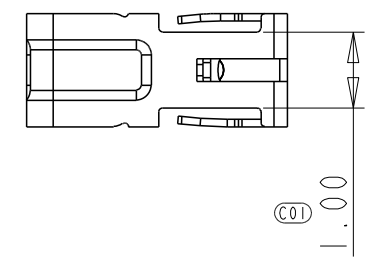
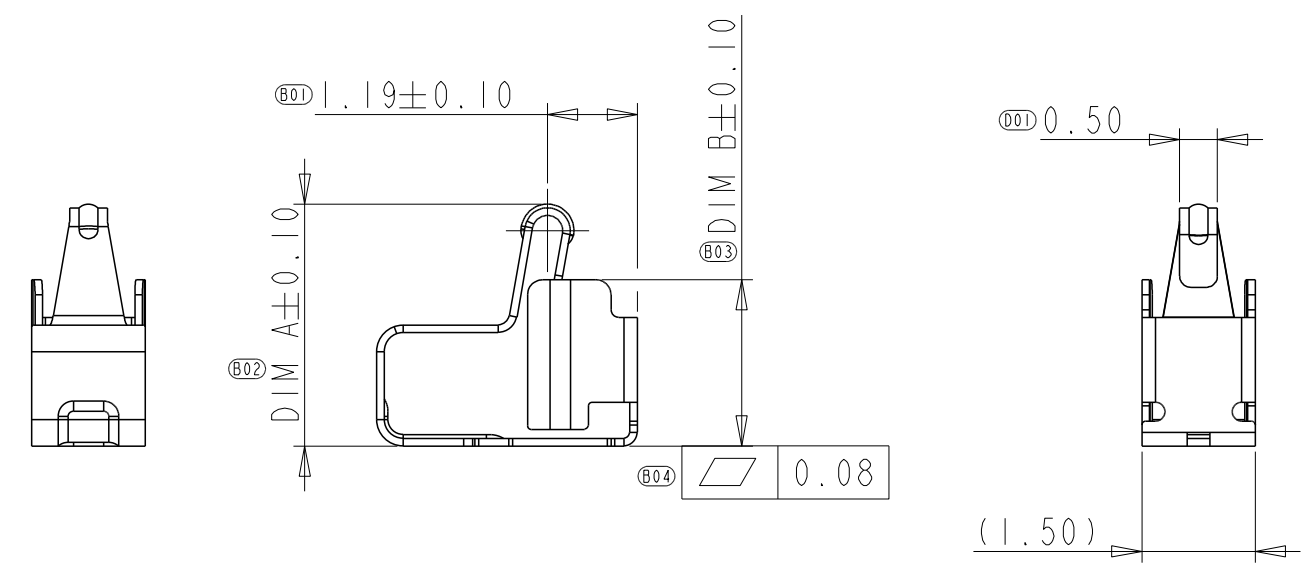


LOC	DIST	REVISIONS			
P	LTR	DESCRIPTION	DATE	DWN	APVD
ES	00				
	A	RELEASED	23JUL2014	J. J	W. H
	A1	ECR-15-004731	20APR2015	T. Q	W. H

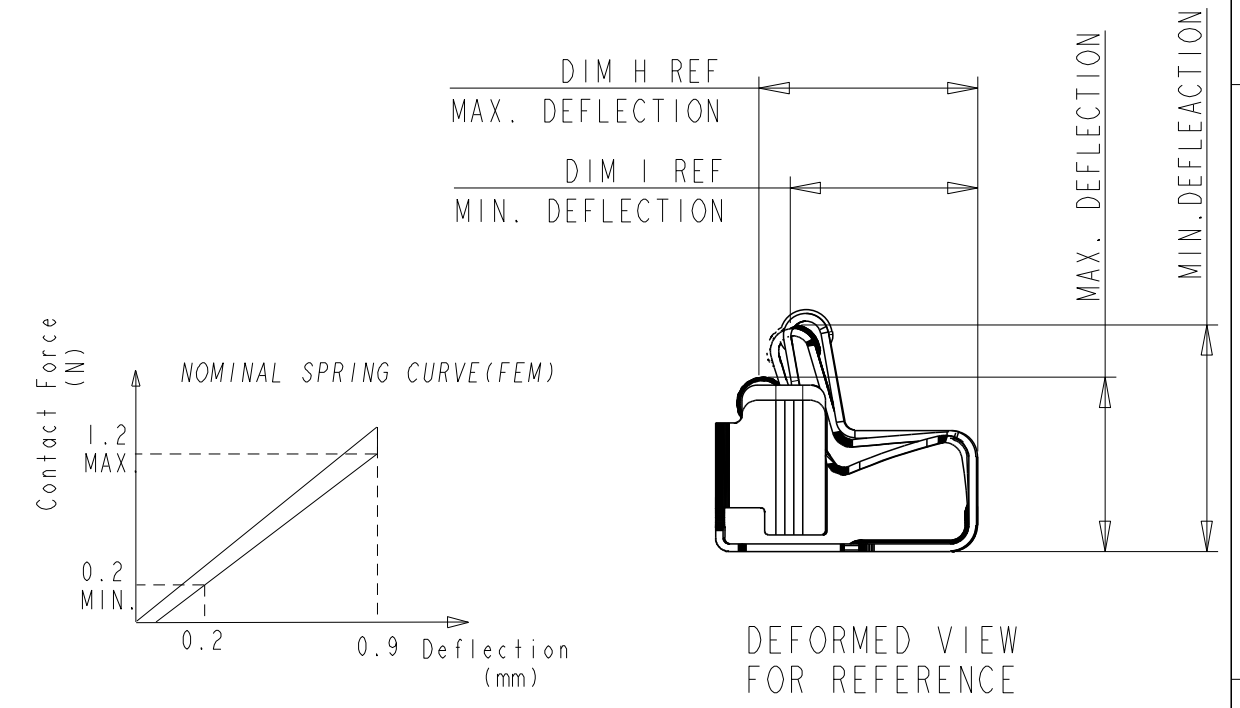
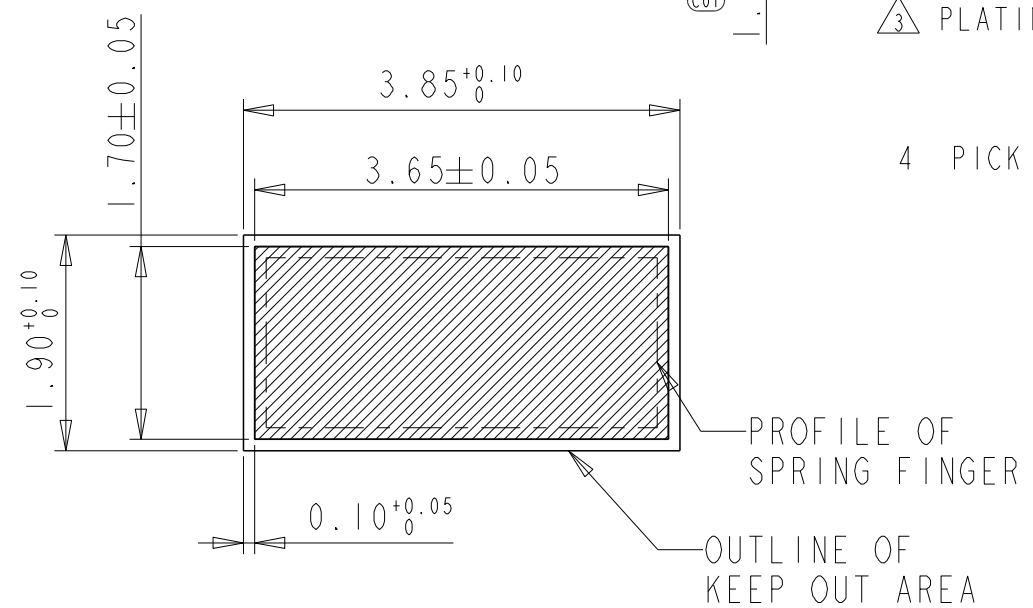


3D VIEW ONLY FOR REFERENCE

TE P/N	DIM A	DIM B	DIM H	DIM I	WORK RANGE	QUANTITY
3-2199250-2	2.9	1.9	2.86	2.44	2.0~2.7	5000
3-2199250-3	3.2	2.2	2.87	2.44	2.3~3.0	4400
3-2199250-4	3.6	2.6	2.92	2.45	2.7~3.3	3000
3-2199250-5	3.8	2.8	2.95	2.46	2.9~3.6	3000



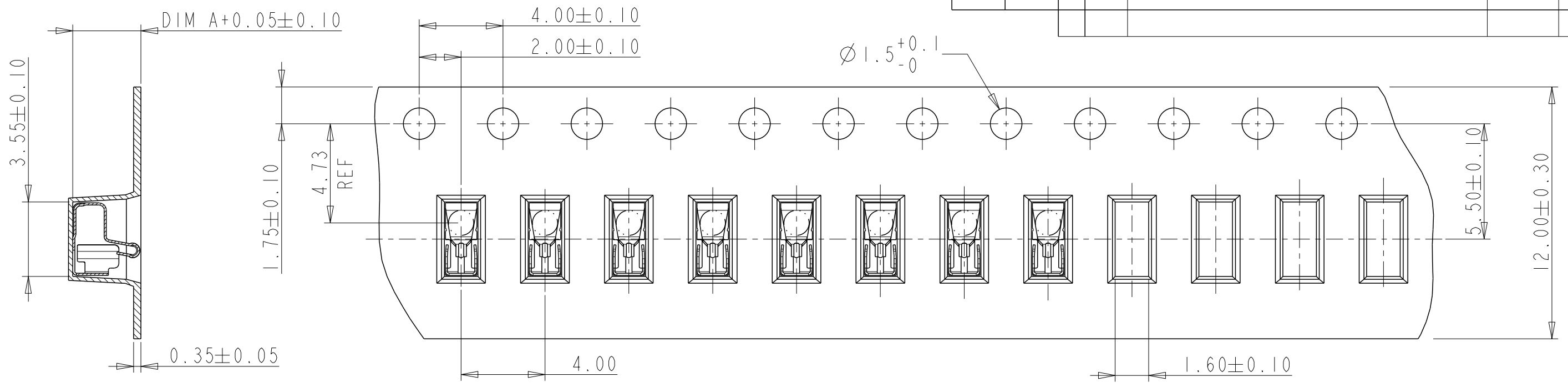
- PART NUMBER: SEE TABLE.
- MATERIAL: COPPER ALLOY, THICKNESS=0.10MM.
- PLATING: 2um MIN. NICKEL UNDERLAYER ALL OVER 0.50um MIN. GOLD ON CONTACT SURFACE GOLD FLASH ON SOLDERING SURFACE
- PICK AND PLACE SURFACE Ø1.2MM.



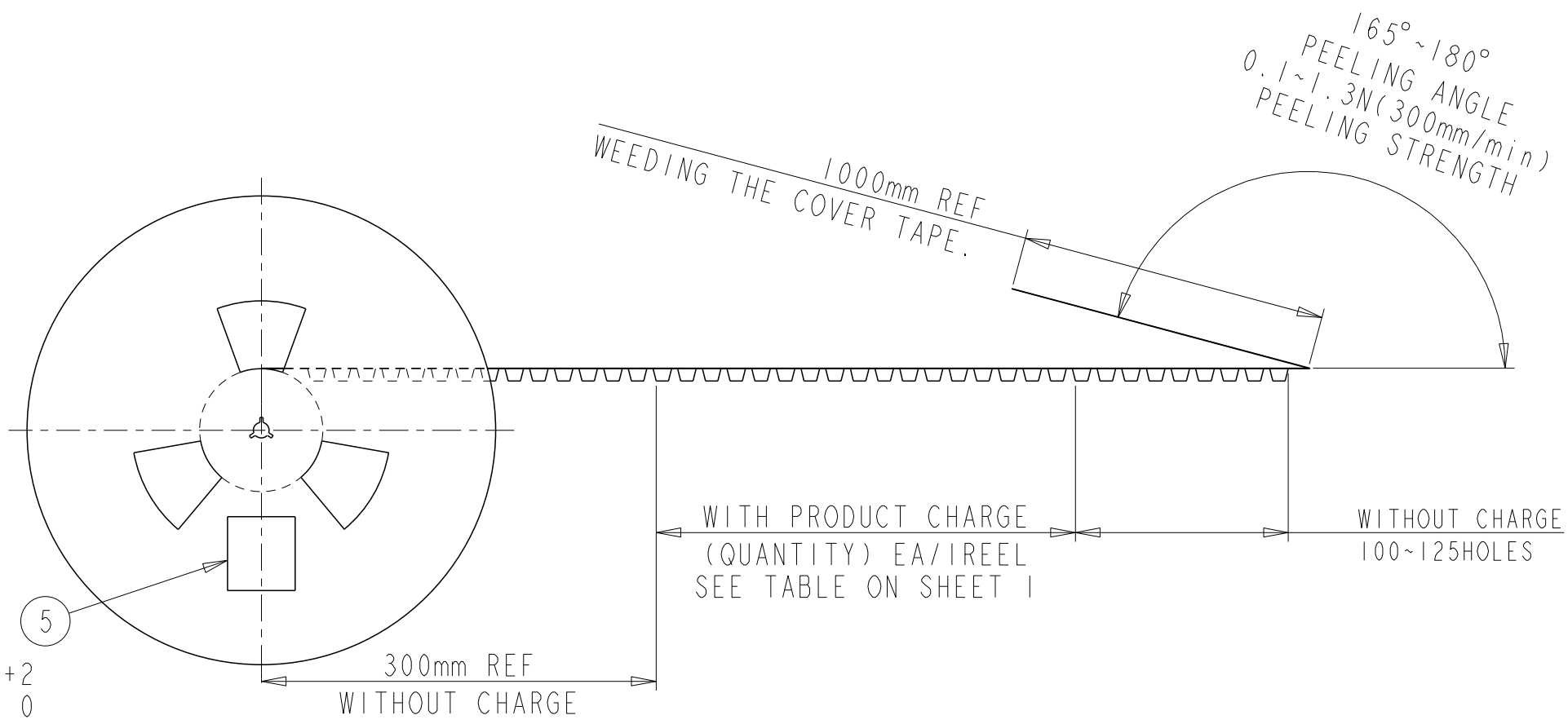
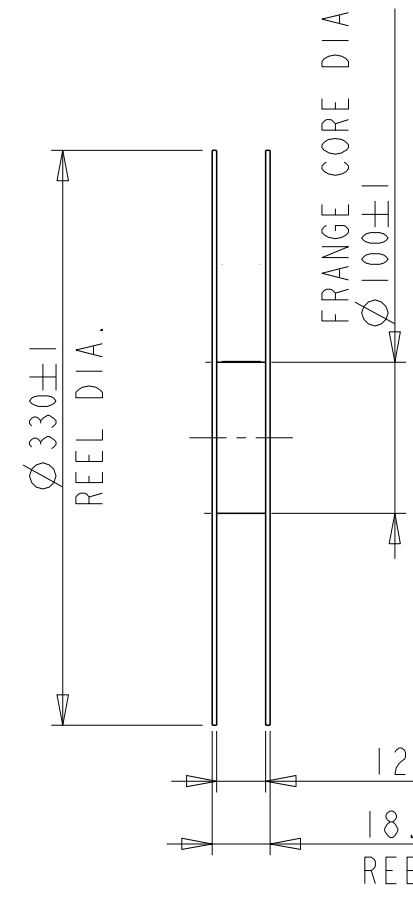
THIS DRAWING IS A CONTROLLED DOCUMENT.		DWN TONY ZHANG 24MAY2013	TE Connectivity		
DIMENSIONS: mm		CHK WENKE HE 24MAY2013			
TOLERANCES UNLESS OTHERWISE SPECIFIED:		APVD WENKE HE 24MAY2013	NAME SPRING FINGER TYPE C		
0 PLC ±0.2 1 PLC ±0.15 2 PLC ±0.15 3 PLC ±0.10 4 PLC ± ANGLES ±5°		PRODUCT SPEC 108-115061-1	DRAWING NO C-2199250		
MATERIAL 2		FINISH 3	SIZE A3	CAGE CODE 00779	RESTRICTED TO -
		WEIGHT -	DRAWING NO C-2199250		
		CUSTOMER DRAWING	SCALE N/A	SHEET 1 OF 2	REV A1

THIS DRAWING IS UNPUBLISHED. RELEASED FOR PUBLICATION 20
 © COPYRIGHT 20 BY - ALL RIGHTS RESERVED.

LOC	DIST	REVISIONS			
P	LTR	DESCRIPTION	DATE	DWN	APVD
ES	00				



SECTION Z-Z



WITH PRODUCT CHARGE (QUANTITY) EA/IREEL SEE TABLE ON SHEET 1
 WITHOUT CHARGE 100~125HOLES

THIS DRAWING IS A CONTROLLED DOCUMENT.		DWN	24MAY2013		TE Connectivity
		CHK	24MAY2013		
		APVD	24MAY2013		
		NAME	STEVEN YAO		
DIMENSIONS:	TOLERANCES UNLESS OTHERWISE SPECIFIED:	PRODUCT SPEC	108-115061-1		
mm		APPLICATION SPEC	-		
	0 PLC ± 0.2	WEIGHT	-		
	1 PLC ± 0.1	SIZE		CAGE CODE	DRAWING NO
	2 PLC ± 0.1	A3		00779	©= 2199250
	3 PLC ± 0.05	CUSTOMER DRAWING		SCALE	N/A
	4 PLC ± 0.05			SHEET	2 OF 2
	ANGLES ± 5°			REV	A1
MATERIAL	FINISH	RESTRICTED TO		-	

X-ON Electronics

Largest Supplier of Electrical and Electronic Components

Click to view similar products for [EMI Gaskets, Sheets, Absorbers & Shielding](#) category:

Click to view products by [TE Connectivity](#) manufacturer:

Other Similar products are found below :

[8101010140](#) [8563-0090-89](#) [1194-7.7X10](#) [1245-34"X18YD](#) [1267](#) [1345-3/8x18yrd](#) [1380-2"X8"](#) [1554907-1](#) [2320002000](#) [2320014700](#)
[SG293037DS](#) [ST005PCN50](#) [55005107](#) [38M4040AA0606](#) [46J5N02020.NN00](#) [1125-8X10](#) [1126X1"](#) [1170-3/4X18YDS](#) [1170-7.7x10](#) [1183-](#)
[12"X18YD](#) [6-34T-BD-0.315](#) [SG125187D-24](#) [SG125250R-24](#) [SG187375R-24](#) [SG284050DS](#) [8402010540](#) [KIT TECH CLIP](#) [1194](#) [10-40450-](#)
[28S](#) [1245](#) [1267-1/2"x18yd](#) [46J8501020.NN00](#) [1170-1/4"x18yd](#) [AL-36FR-1x54.5](#) [3013310A](#) [1194X1"](#) [3020604](#) [3021302](#) [3031313](#) [260709](#)
[3021310](#) [6-34UT-070-BD-16](#) [303076048](#) [46J5N03020.NN00](#) [30206025](#) [30395641](#) [3030403](#) [3690103020](#) [HNY-LT15CU4241](#) [1170-](#)
[3/8"x18yd](#)