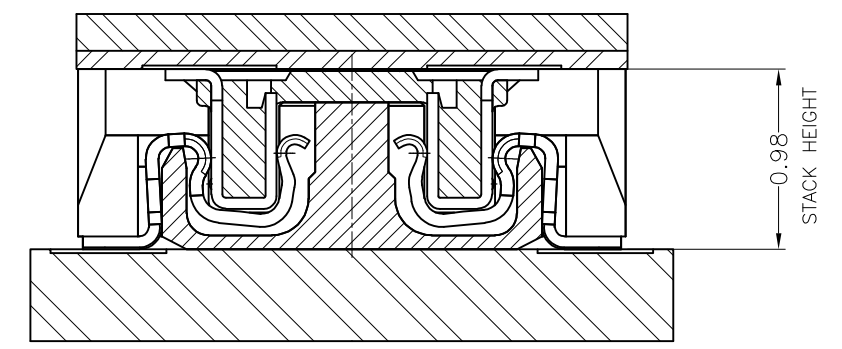
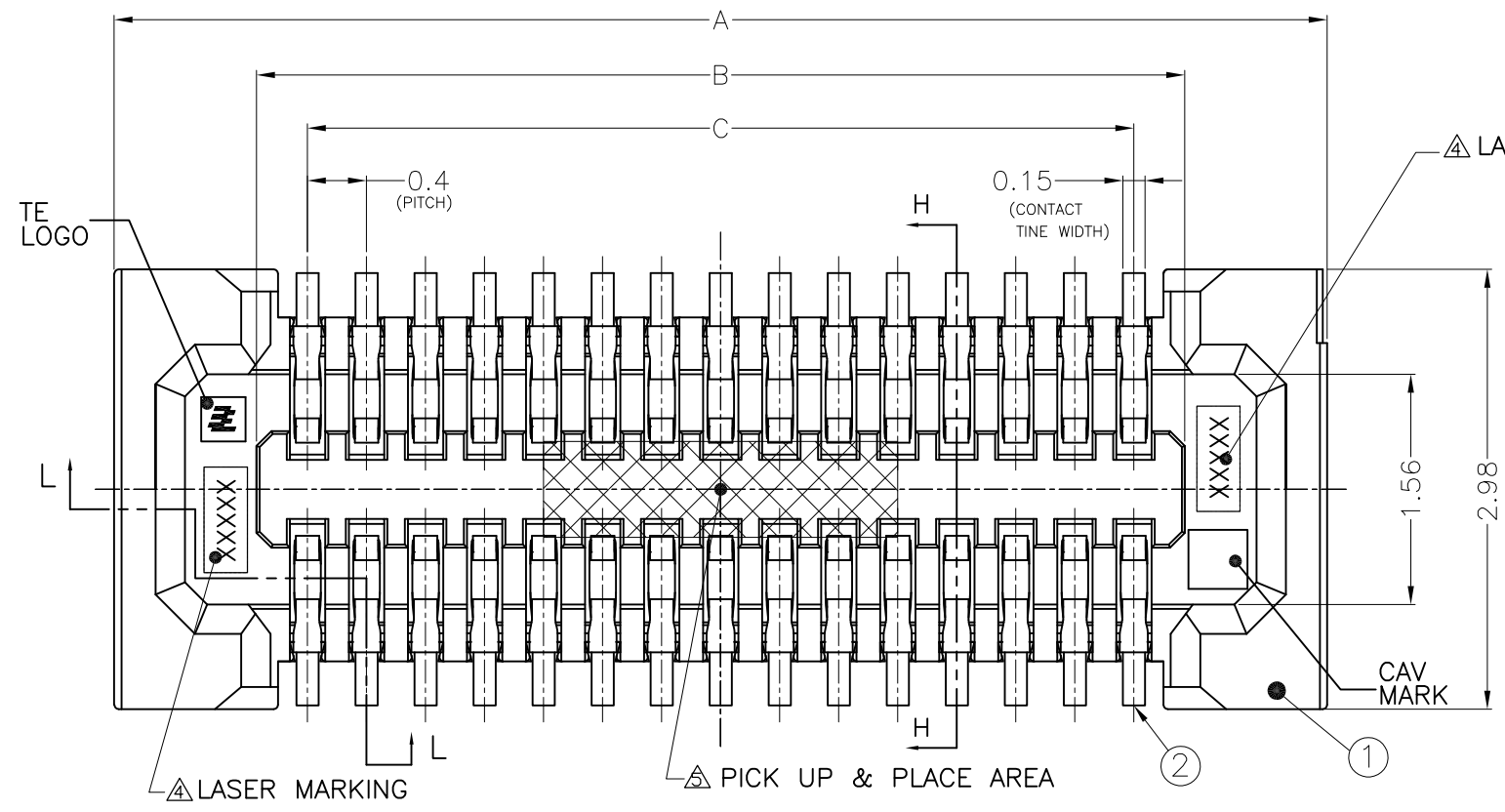
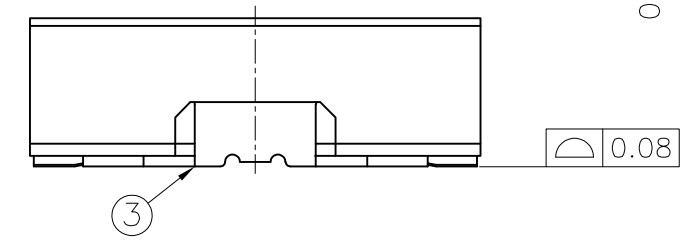
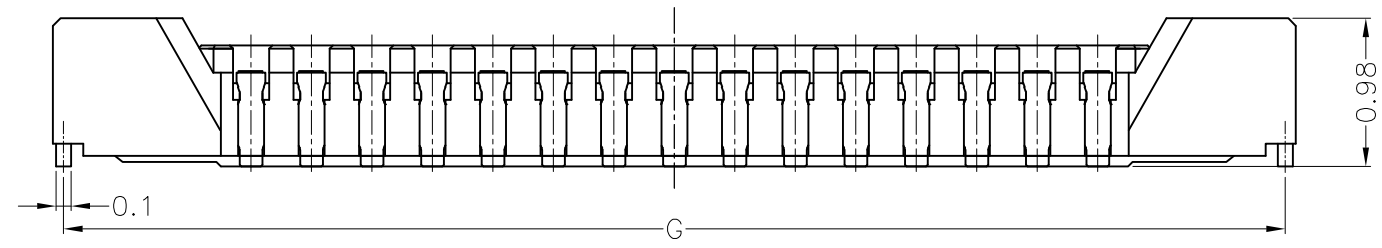
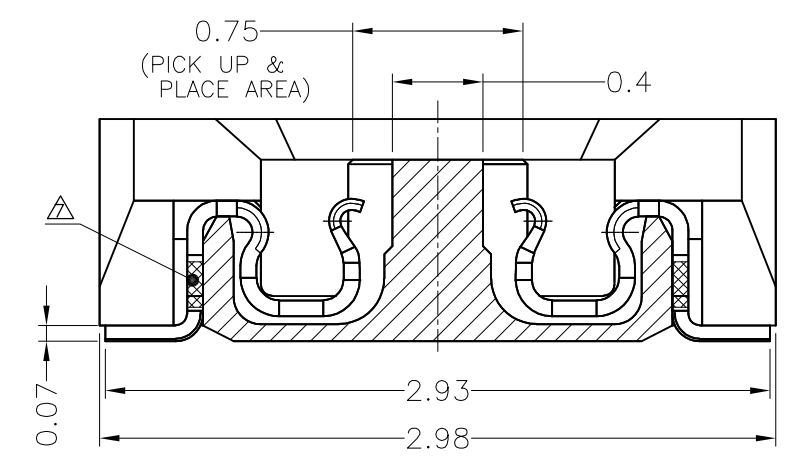


THIS DRAWING IS UNPUBLISHED. RELEASED FOR PUBLICATION  
 © COPYRIGHT - By Tyco Electronics Japan G.K. ALL RIGHTS RESERVED.

LOC	DIST	REVISIONS				
P	LTR	DESCRIPTION	LTR	DATE	DWN	APVD
J	-	A	RELEASED	02AUG2012	C.H	T.K



MATING CROSS SECTION (30:1)



Ni UNDER PL.; 0.65um Sn PL.; 2~5um	COPPER ALLOY	REC PEG	3
Ni UNDER PL.; 0.65um Au PL.(CONTACT AREA); 0.1um MIN. Au PL.(TINE AREA); 0.05um MIN.	COPPER ALLOY	REC CONTACT	2
	LCP,UL94V-0,BLACK	REC HOUSING	1
△ FINISH	△ MATERIAL	NAME	ITEM NO.

THIS DRAWING IS A CONTROLLED DOCUMENT.

DIMENSIONS: mm	TOLERANCES UNLESS OTHERWISE SPECIFIED:
	0 PLC ± 0.1 1 PLC ± 0.1 2 PLC ± 0.1 3 PLC ± 0.1 4 PLC ± 0.1 ANGLES ± 3°
MATERIAL	FINISH
△	△

DWN	C.HIKAGE	02AUG2012
CHK	A.KUBO	02AUG2012
APVD	T.KUSUHARA	02AUG2012
PRODUCT SPEC	108-78916	
APPLICATION SPEC	411-78379	
WEIGHT	A3	
CUSTOMER DRAWING		



NAME				0.4mm PITCH STACKING CONNECTOR RECEPTACLE ASSEMBLY 0.98mm HEIGHT			
SIZE	CAGE CODE	DRAWING NO	RESTRICTED TO				
A3	00779	C-2201197	-				
SCALE		SHEET		REV			
20:1		1 OF 3		A			

THIS DRAWING IS UNPUBLISHED.

RELEASED FOR PUBLICATION

© COPYRIGHT - By Tyco Electronics Japan G.K.

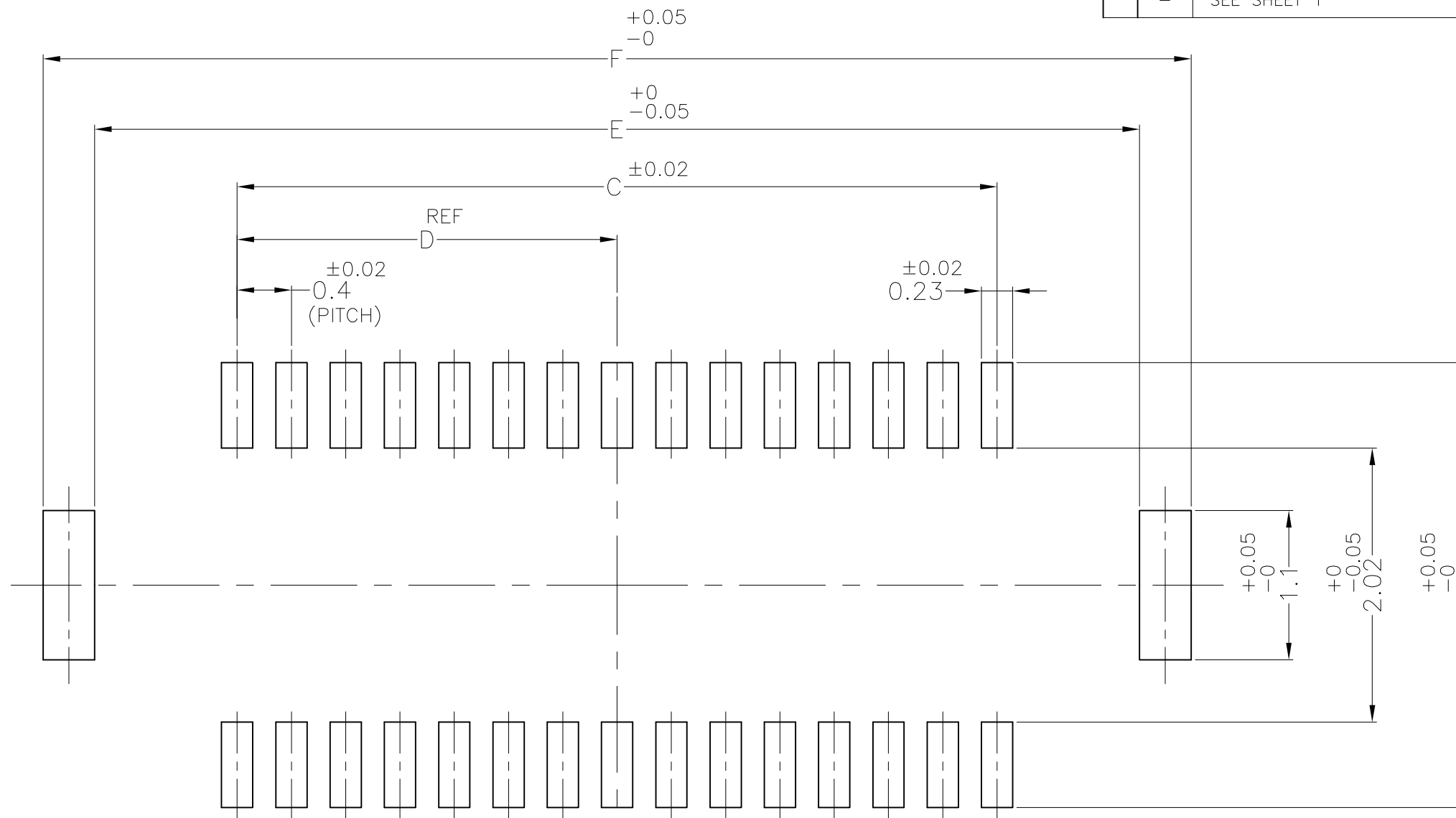
ALL RIGHTS RESERVED.

LOC  
J

DIST  
-

REVISIONS

P	LTR	DESCRIPTION	LTR	DATE	DWN	APVD
-	-	SEE SHEET 1	-	-	-	-



△ REFERENCE PCB LAYOUT  
(VIEWED FROM MOUNTING SIDE)

NOTE

- ① MATERIAL REFER TO THE TABLE.
- ② FINISH REFER TO THE TABLE.
- 3. MATING CONNECTOR : P/N: \*-2201196-\*
- ④ LASER MARKING: ~~XXXXXX~~  
DATE CODE MACHINE CODE  
(YWW)
- ⑤ PICK UP THE CONNECTOR AT CENTER
- ⑥ RECOMMENDED METAL MASK; THICKNESS 0.1mm
- ⑦ Ni DAM AREA

THIS DRAWING IS A CONTROLLED DOCUMENT.		DWN	TE Connectivity		
DIMENSIONS: mm		CHK			
		APVD	NAME		
TOLERANCES UNLESS OTHERWISE SPECIFIED:		PRODUCT SPEC	0.4mm PITCH STACKING CONNECTOR RECEPTACLE ASSEMBLY 0.98mm HEIGHT		
0 PLC ± 0.1		APPLICATION SPEC	SIZE	CAGE CODE	DRAWING NO
1 PLC ± 0.1		MATERIAL	A3	00779	C-2201197
2 PLC ± 0.1			WEIGHT	RESTRICTED TO	
3 PLC ± 0.1		FINISH	CUSTOMER DRAWING		
4 PLC ± 0.1			SCALE	SHEET	REV
ANGLES ± 3°		NTS			2 OF 3
MATERIAL		A			

THIS DRAWING IS UNPUBLISHED.

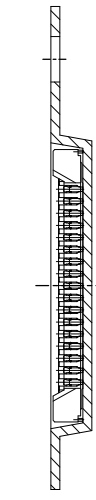
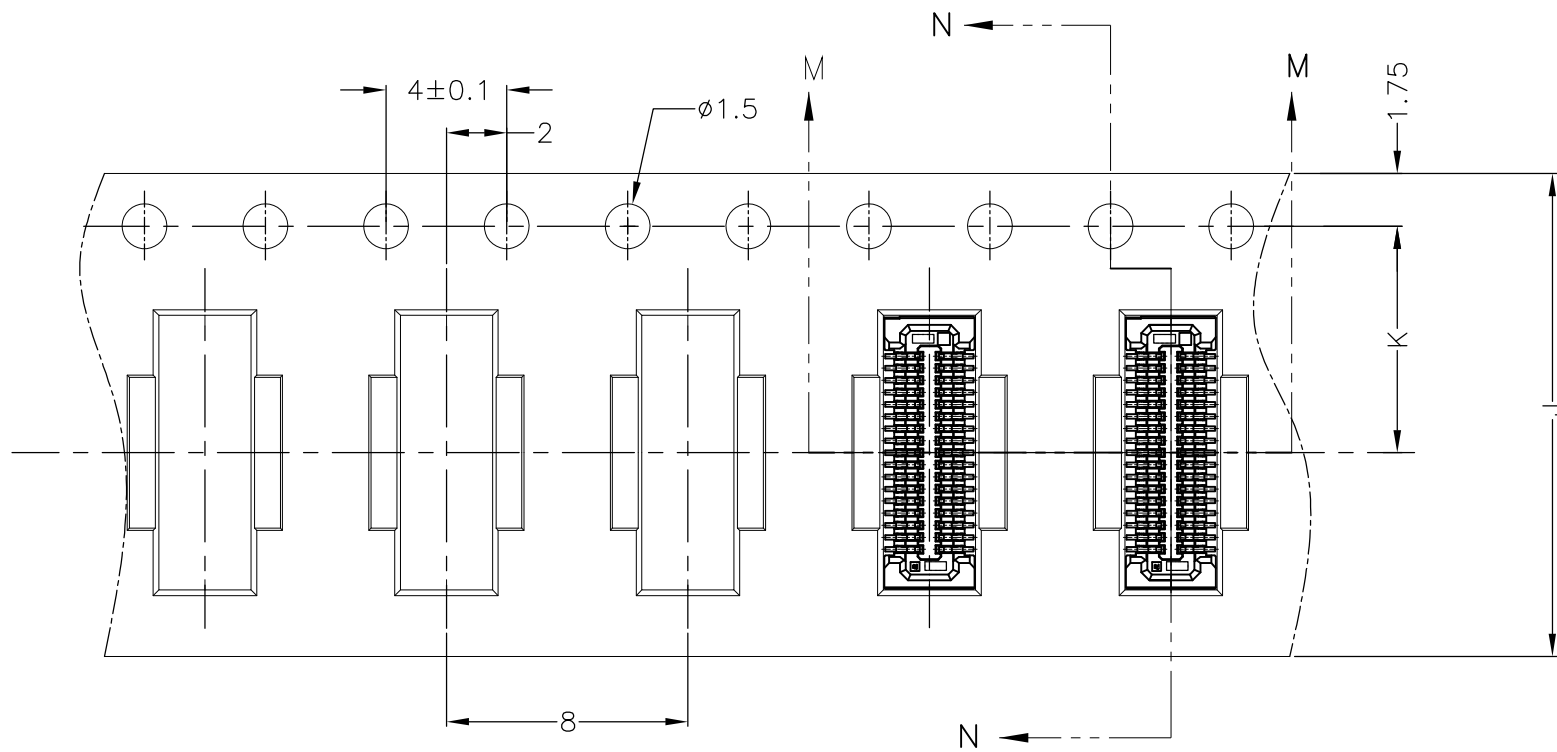
RELEASED FOR PUBLICATION

© COPYRIGHT - By Tyco Electronics Japan G.K.

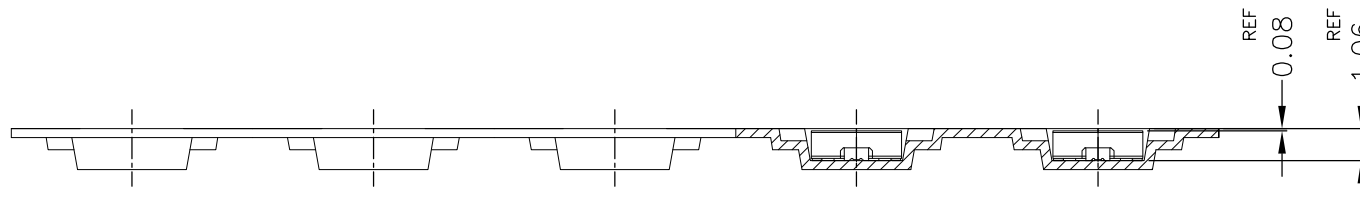
ALL RIGHTS RESERVED.

LOC	DIST	REVISIONS					
		P	LTR	DESCRIPTION	LTR	DATE	DWN
J	-	-	-	SEE SHEET 1	-	-	-

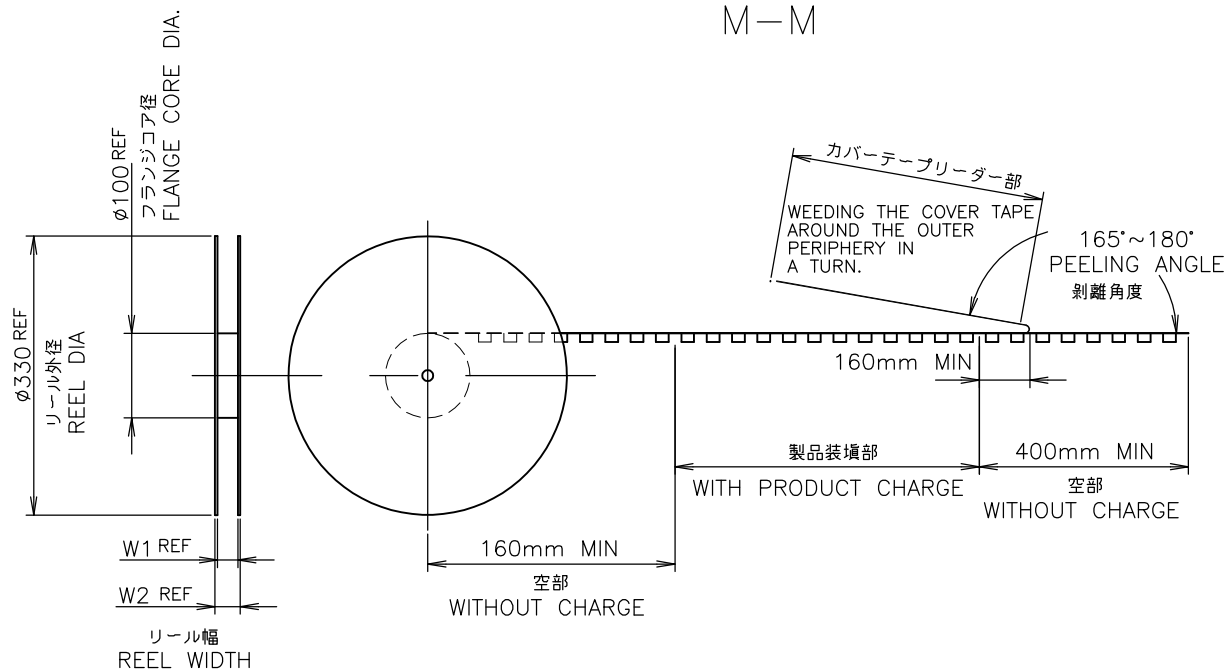
UNREELING DIRECTION 



N-N



M-M



814.5	22.1	17.5	7.5	16	8.08	8.46	7.7	2.8	5.6	6.29	8.22	5000	30	3-2201197-0
797.5	22.1	17.5	7.5	16	6.88	7.26	6.5	2.2	4.4	5.09	7.02		24	2-2201197-4
757.0	18.1	13.5	5.5	12	4.08	4.46	3.7	0.8	1.6	2.29	4.22		10	1-2201197-0
REEL WEIGHT(g)	W2	W1	K	J	G	F	E	D	C	B	A	QTY/REEL	Pos.	PART NUMBER

THIS DRAWING IS A CONTROLLED DOCUMENT.

**STE** TE Connectivity

0.4mm PITCH STACKING CONNECTOR RECEPTACLE ASSEMBLY 0.98mm HEIGHT

DWN	CHK	APVD	PRODUCT SPEC	APPLICATION SPEC	WEIGHT
NAME					
SIZE	CAGE CODE	DRAWING NO	RESTRICTED TO		
A3	00779	C-2201197			
CUSTOMER DRAWING			SCALE	SHEET	REV
			NTS	3 of 3	A

## X-ON Electronics

Largest Supplier of Electrical and Electronic Components

*Click to view similar products for [Board to Board & Mezzanine Connectors](#) category:*

*Click to view products by [TE Connectivity](#) manufacturer:*

Other Similar products are found below :

[10135583-642402LF](#) [89885-310LF](#) [589158040000018](#) [6-1393048-0](#) [68683-613](#) [MDF7-12DP-2.54DSA](#) [MDF7-18P-2.54DSA\(01\)](#) [MDF7-20DP-2.54DSA](#) [MDF7-26D-2.54DSA\(55\)](#) [MDF7-3P-2.54DSA\(01\)](#) [MDF7B-20P-2.54DSA\(01\)](#) [MDF7B-3P-2.54DSA\(55\)](#) [MDF7C-18P-2.54DSA\(55\)](#) [MDF7P-5P-2.54DSA\(55\)](#) [75234-0516](#) [FCN-230C068-11](#) [FCN-268F012-G/BD](#) [FCN-268F036-G/BD](#) [FCN-268M012-G/0D](#) [FCN-268M024-G/1D](#) [FCN-360C008-C](#) [FCN-723J004/1](#) [MIS-048-01-F-D-DP-K](#) [832-10-034-10-001000](#) [93696-325LF](#) [11828-1FA](#) [AXK630345P](#) [18097-0013](#) [2007042-2](#) [304400-2](#) [FCN-214Q030-G/0](#) [FCN-215Q040-G/0](#) [FCN-230C068-ESA](#) [FCN-234P048-G/0](#) [FCN-235D050-G/C](#) [FCN-360A3](#) [FCN-360C040-B](#) [210-93-314-41-105000](#) [2-22603-0](#) [379-064-521-202](#) [MDF7-12P-2.54DSA\(01\)](#) [MDF7-16P-2.54DS\(56\)](#) [MDF7-16P-2.54DSA\(55\)](#) [MDF7-40DP-2.54DSA\(55\)](#) [MDF7-8P-2.54DSA\(55\)](#) [AXG720047](#) [5031084030](#) [55323-1519](#) [DF33-2P-3.3DSA\(24\)](#) [DF33-2S-3.3C](#)