

THIS DRAWING IS UNPUBLISHED. RELEASED FOR PUBLICATION 20  
 © COPYRIGHT 20 BY - ALL RIGHTS RESERVED.

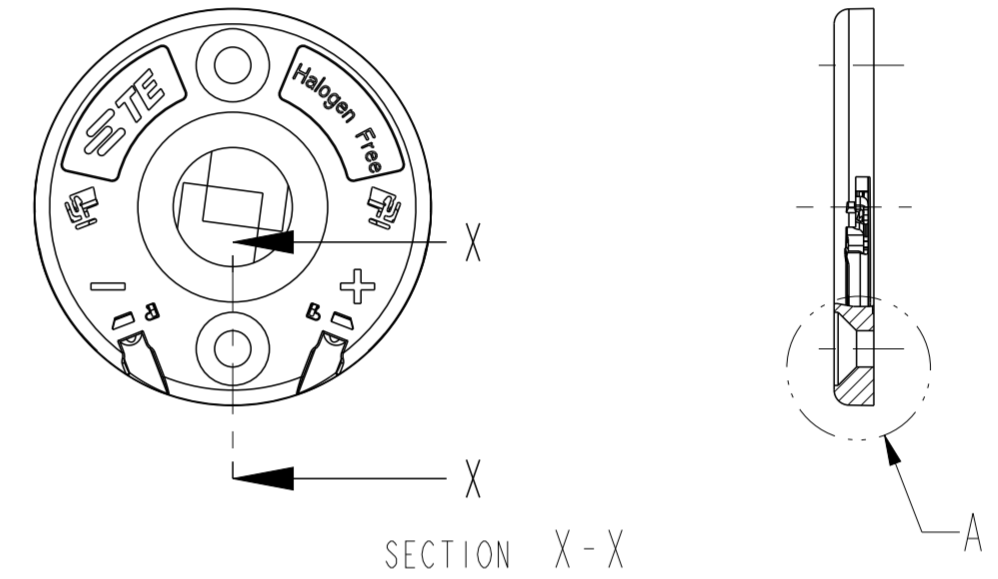
REVISIONS				
P	LTR	DESCRIPTION	DATE	APVD
C		ECR-19-004750	13APR2019	SR JL
C1		ECR-19-013004	23AUG2019	SR JL
C2		ECR-19-014098	12SEP2019	SR JL
C3		ECR-20-000836	23JAN2020	SB JL

NOTES:

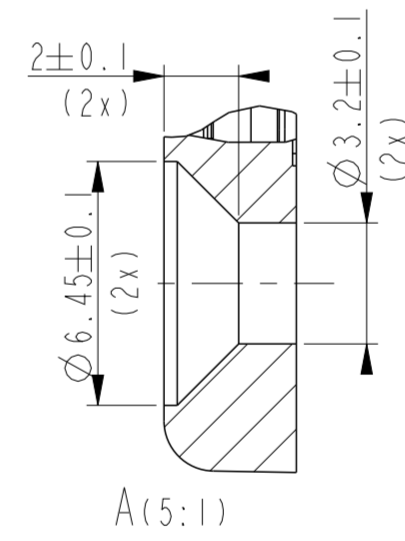
- MATERIALS:
  - HOLDER: PBT, COLOR: NATURAL,
  - CONTACTS: COPPER ALLOY, Ni/Au PLATING.
- FOR SOLID, FUSED AND STRANDED WIRE TYPES AWG 18 AND 20 ACC. UL 1007.
- WIRE STRIP LENGTH: 11-12 mm
- MAX. WIRE INSULATION OUTER DIAM.:  $\varnothing 2.3\text{mm}$ .
- RECOMMENDED SCREW TORQUE: 0.4 - 0.6 Nm.
- SCREWS TO BE USED:
  - PAN HEAD M3, #4-40 AND COUNTERSUNK M3 (2x), SEE TABLE SHEET 2.
- FOR LED THICKNESS RANGE 0.9-1.0 NOM.
- LED MATING ON 2 CORNERS WITH ADHESIVE TAPE.

- ⚠ SPECIAL PACKAGING IN 20 PIECES TRAY AND BAGGED IN GROUPS OF 100 PIECES.
10. FOR COB-TO-HOLDER CROSS REFERENCE, REFER TO APPLICATION SPECIFICATION 114-32208.

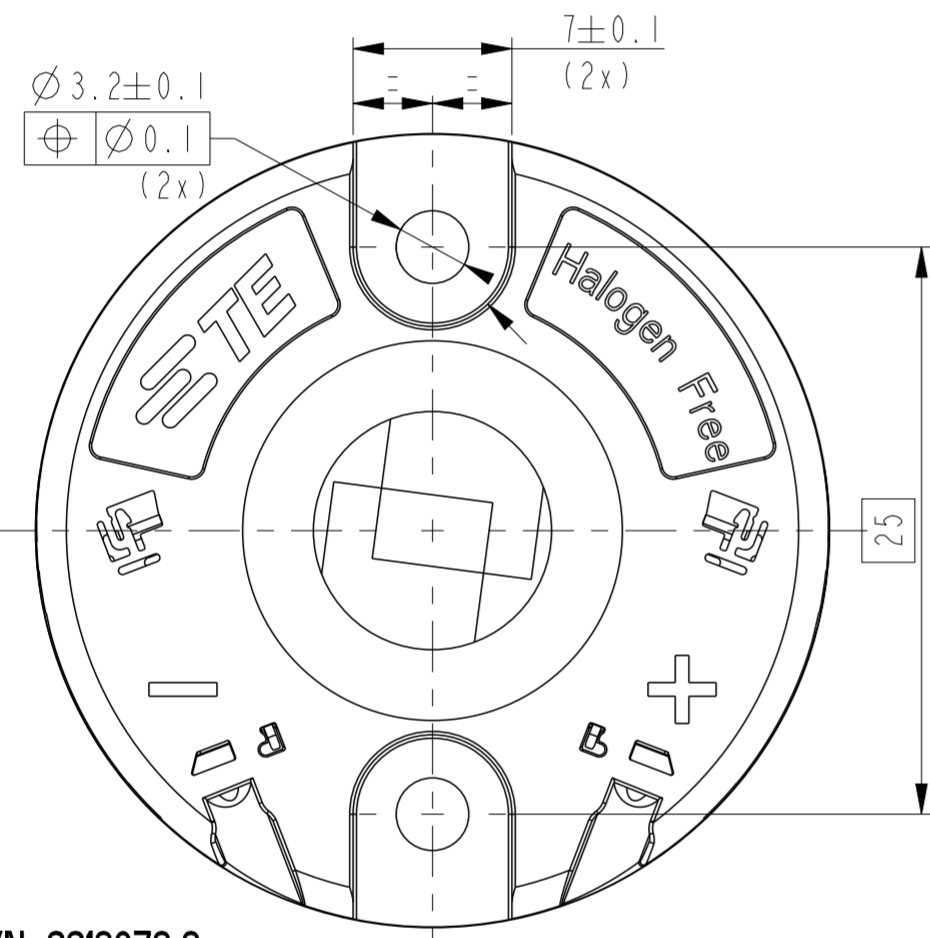
P/N 2213678-4  
AS SHOWN



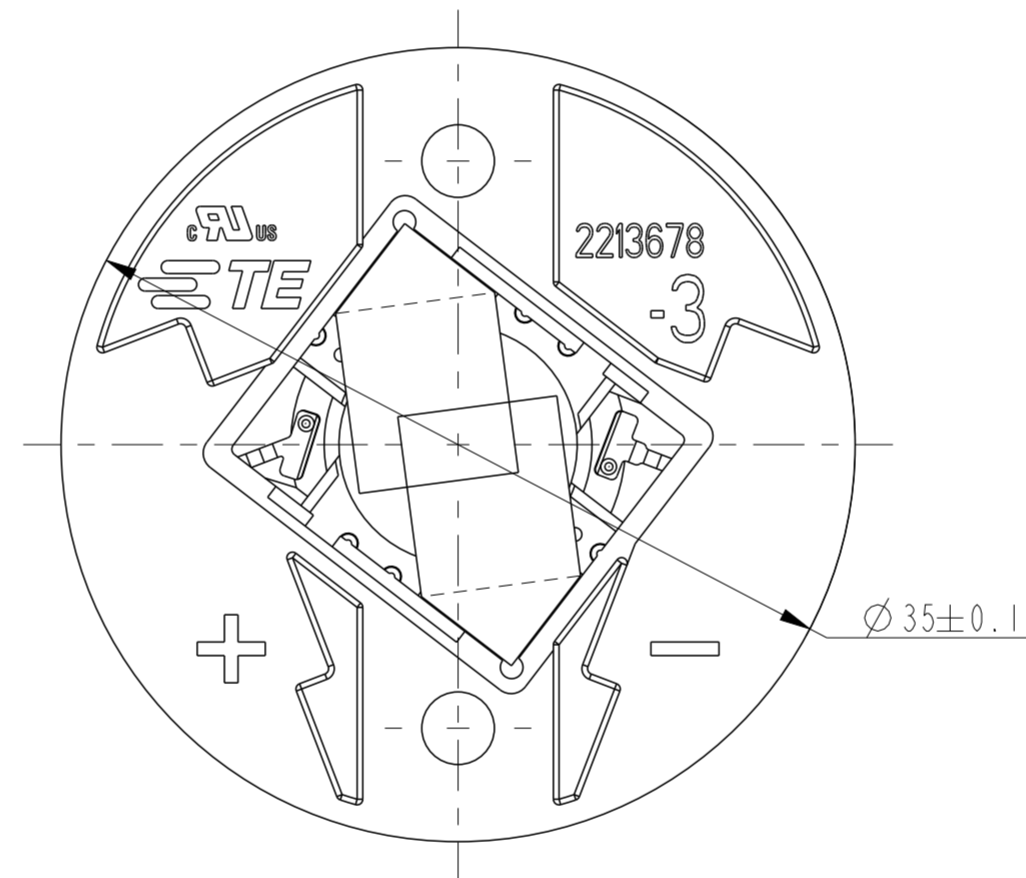
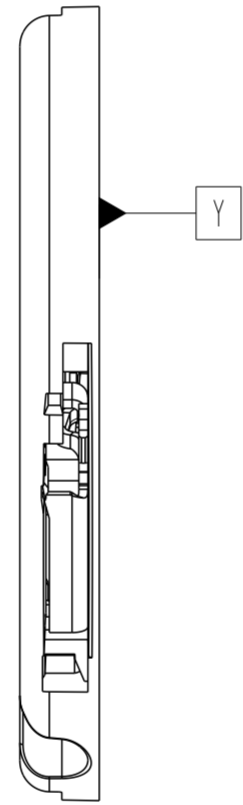
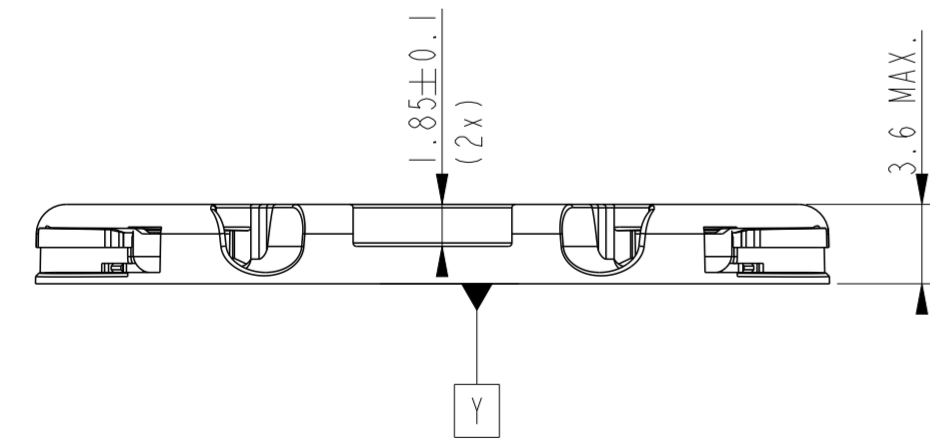
SECTION X-X



A(5:1)



P/N 2213678-3  
AS SHOWN



THIS DRAWING IS A CONTROLLED DOCUMENT.		DWN P. POORTER 22MAY2015	TE Connectivity	
DIMENSIONS: mm		CHK O. LEIJNSE 22MAY2015		
TOLERANCES UNLESS OTHERWISE SPECIFIED:		APVD O. LEIJNSE 22MAY2015	NAME MINI COB HOLDER PLATFORM	
0 PLC ±0.2 1 PLC ±0.2 2 PLC ±0.1 3 PLC ±0.1 4 PLC ±0.1 ANGLES ±5 FINISH		PRODUCT SPEC 108-133062	SIZE A2	CAGE CODE 00779
MATERIAL		APPLICATION SPEC 114-133062	DRAWING NO. C-2213678	RESTRICTED TO
		WEIGHT	SCALE 1:1	SHEET 1 OF 3
		CUSTOMER DRAWING	REV C3	

THIS DRAWING IS UNPUBLISHED. RELEASED FOR PUBLICATION 20  
 © COPYRIGHT 20 BY - ALL RIGHTS RESERVED.

REVISIONS				
P	LTR	DESCRIPTION	DATE	APVD
-	-	SEE SHEET 1	-	-

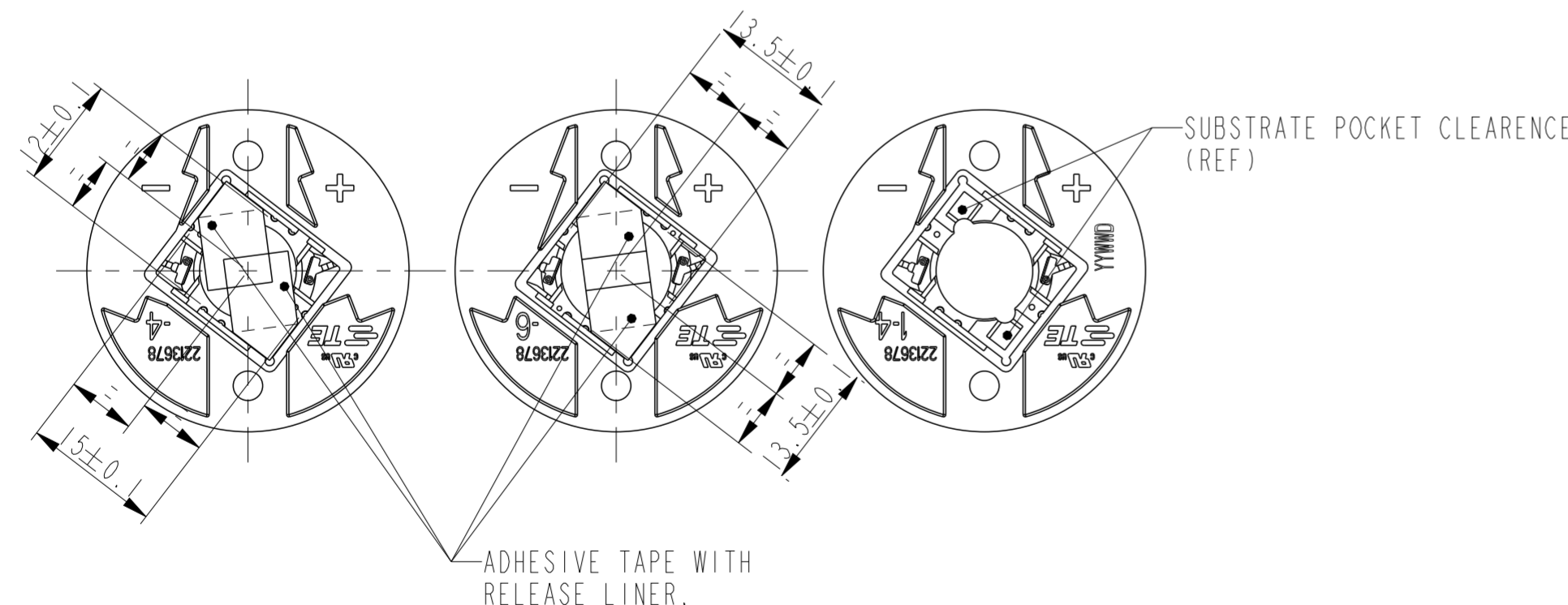
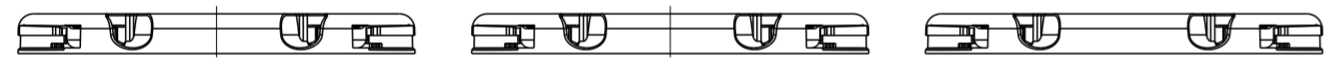
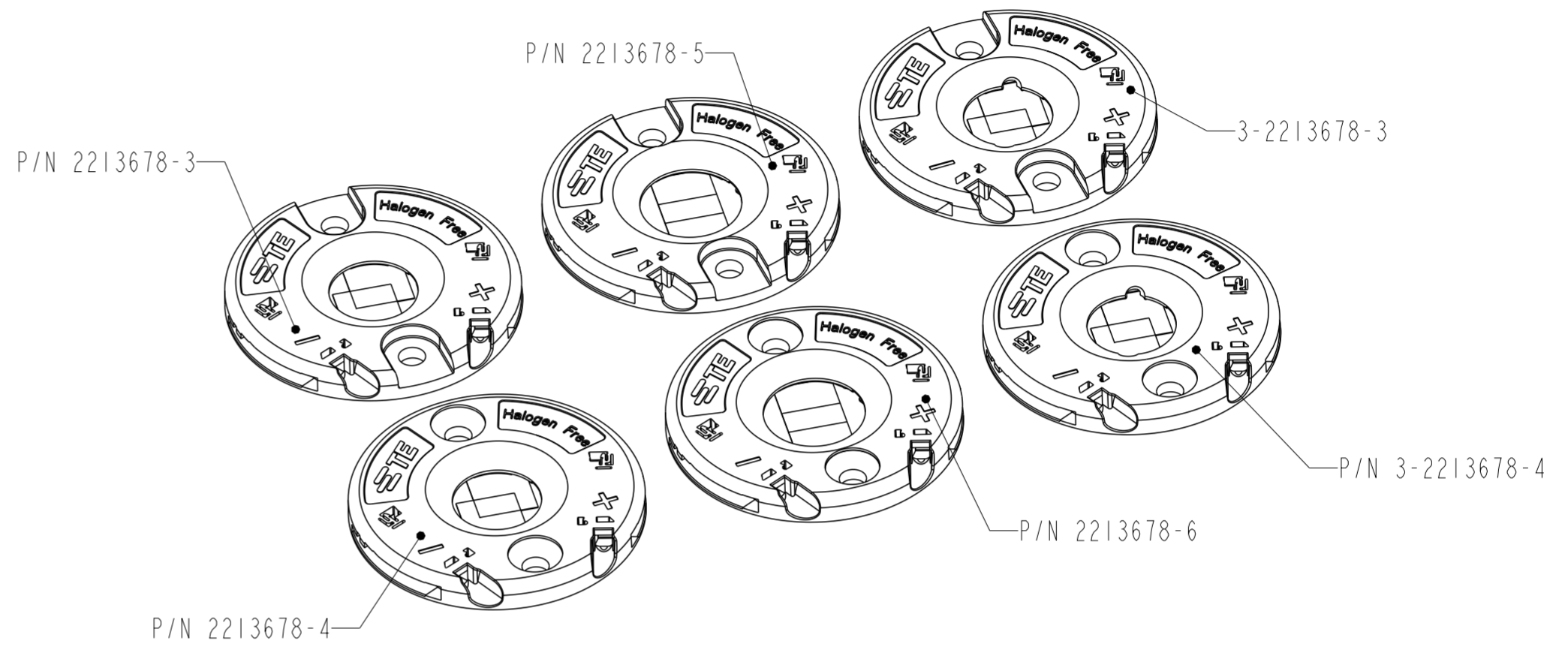
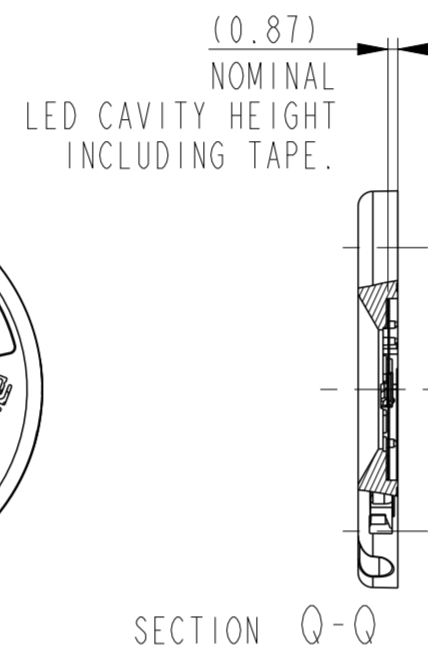
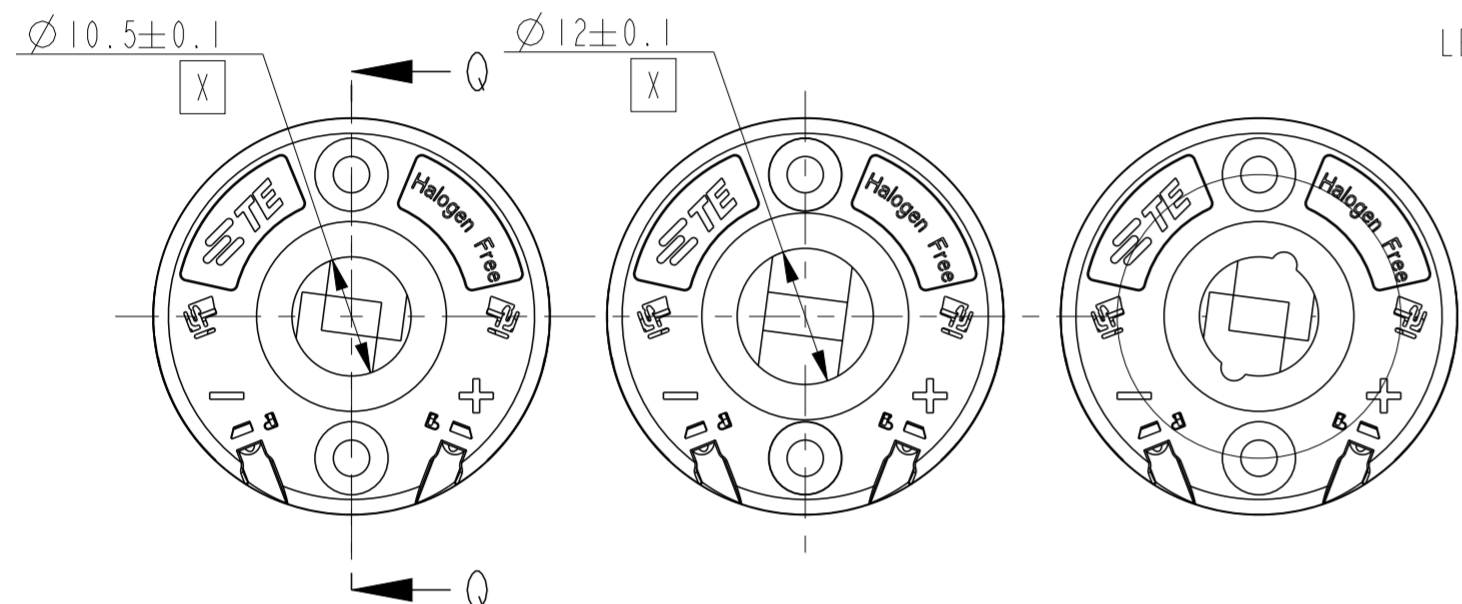
**LED OUTLINE:**

- P/N 2-2213678-3
- P/N 1-2213678-4 (NO TAPE)
- P/N 1-2213678-3 (NO TAPE)
- P/N 2213678-3
- P/N 2213678-4 (SHOWN)

**LED OUTLINE:**

- P/N 1-2213678-6 (NO TAPE)
- P/N 1-2213678-5 (NO TAPE)
- P/N 2213678-5
- P/N 2-2213678-5
- P/N 2213678-6 (SHOWN)

- P/N 3-2213678-3
- P/N 3-2213678-4



400	20	4-2213678-5	35mm LED Holder	12*15	PAN HEAD	YES	YES
400	20	4-2213678-3	35mm LED Holder	13.5*13.5	PAN HEAD	YES	YES
1050	35	3-2213678-4	35mm LED Holder	12*15	COUNTERSUNK	YES	YES
1050	35	3-2213678-3	35mm LED Holder	12*15	PAN HEAD	YES	YES
500	20	2-2213678-6	35mm LED Holder	13.5*13.5	PAN HEAD	YES	YES
500	20	2-2213678-5	35mm LED Holder	13.5*13.5	PAN HEAD	YES	YES
300	10	2-2213678-3	35mm LED Holder	12*15	PAN HEAD	YES	YES
1050	35	1-2213678-6	35mm LED Holder	13.5*13.5	COUNTERSUNK	NO	YES
1050	35	1-2213678-5	35mm LED Holder	13.5*13.5	PAN HEAD	NO	ON REQUEST
1050	35	1-2213678-4	35mm LED Holder	12*15	COUNTERSUNK	NO	ON REQUEST
1050	35	1-2213678-3	35mm LED Holder	12*15	PAN HEAD	NO	YES
1050	35	2213678-6	35mm LED Holder	13.5*13.5	COUNTERSUNK	YES	YES
1050	35	2213678-5	35mm LED Holder	13.5*13.5	PAN HEAD	YES	YES
1050	35	2213678-4	35mm LED Holder	12*15	COUNTERSUNK	YES	YES
1050	35	2213678-3	35mm LED Holder	12*15	PAN HEAD	YES	YES
SHIPPING QTY	PARTS PER TRAY	PART NO	DESCRIPTION	LED OUTLINE	SCREW TYPE	TAPE	AVAILABLE

THIS DRAWING IS A CONTROLLED DOCUMENT.

DWN P. POORTER 22MAY2015  
 CHK O. LEIJNSE 22MAY2015  
 APVD O. LEIJNSE 22MAY2015

**STE** TE Connectivity

NAME: MINI COB HOLDER PLATFORM

PRODUCT SPEC: 108-133062  
 APPLICATION SPEC: 114-133062

MATERIAL: -

WEIGHT: -

SIZE: A2 CAGE CODE: 00779 DRAWING NO: C-2213678 RESTRICTED TO: -

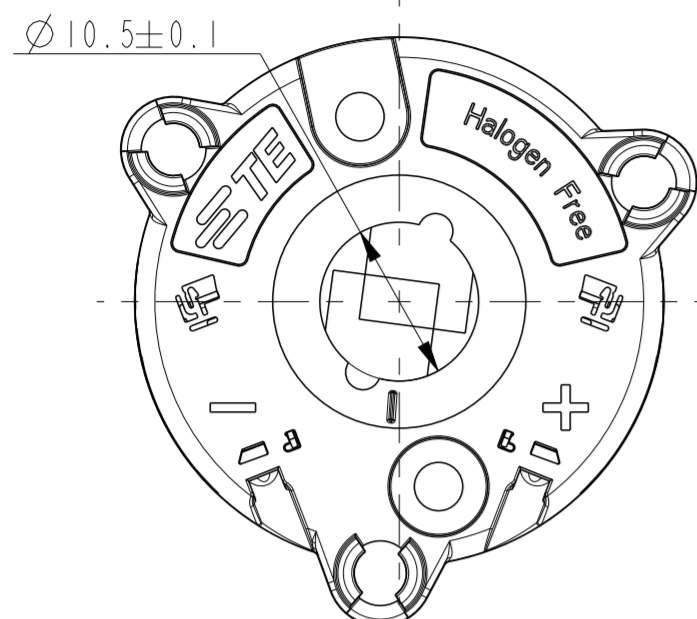
CUSTOMER DRAWING SCALE: 2:1 SHEET: 2 OF 3 REV: C3

THIS DRAWING IS UNPUBLISHED. RELEASED FOR PUBLICATION 20  
 © COPYRIGHT 20 BY - ALL RIGHTS RESERVED.

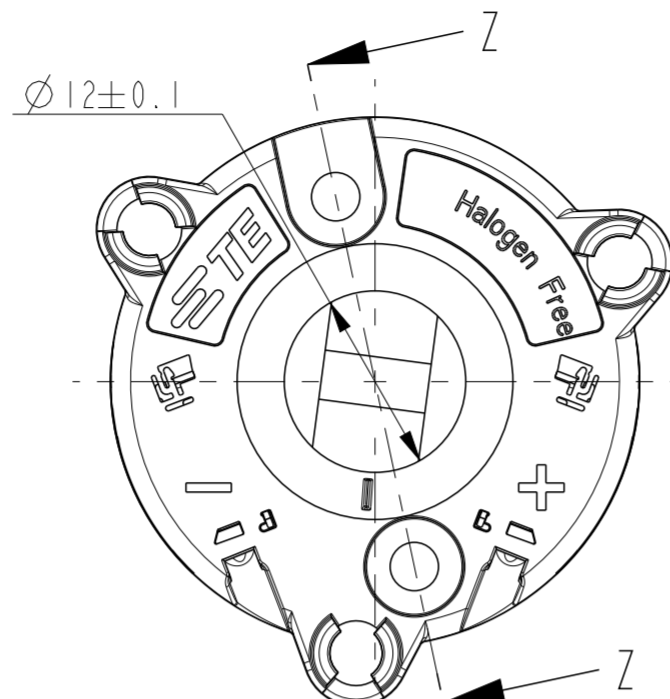
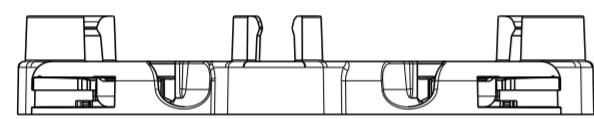
REVISIONS				
P	LTR	DESCRIPTION	DATE	APVD
-	-	SEE SHEET 1	-	-

P/N 4-2213678-3

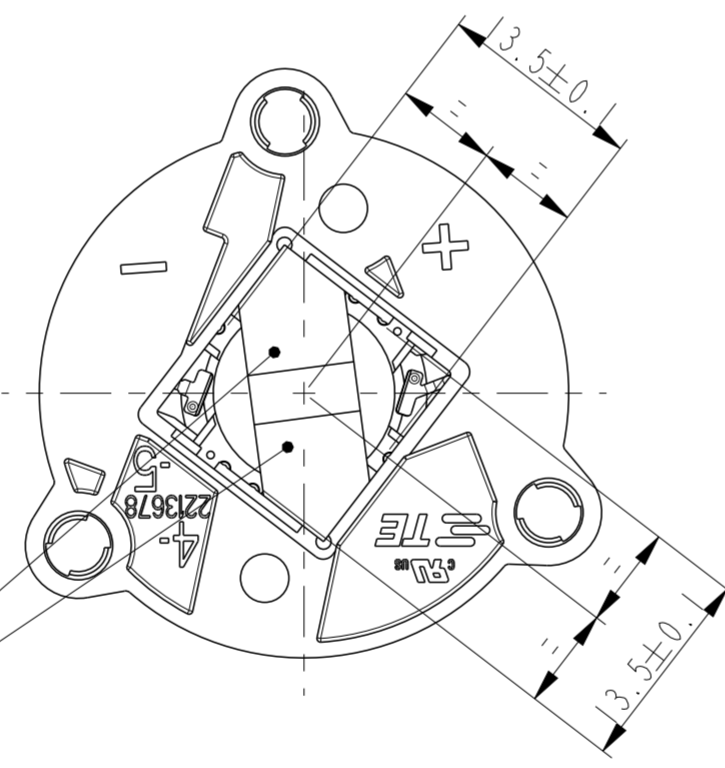
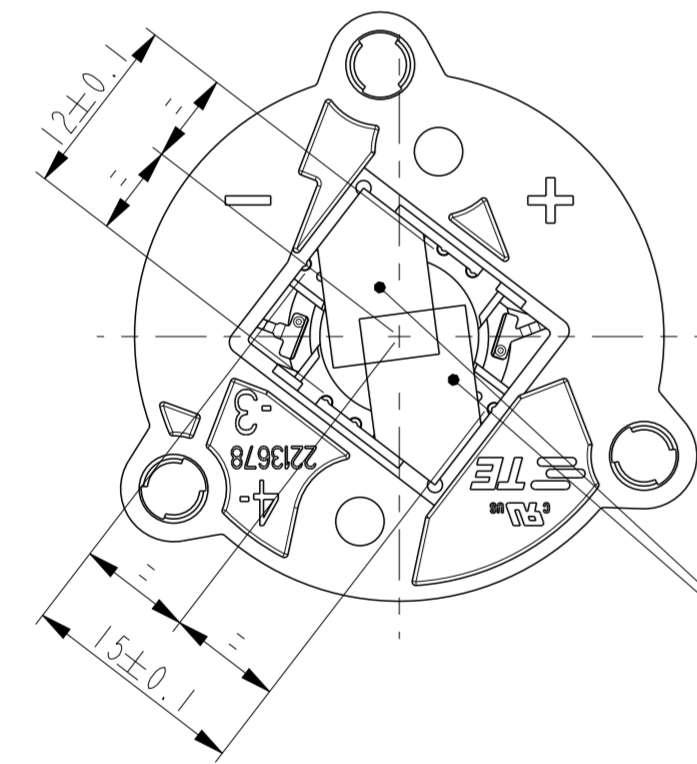
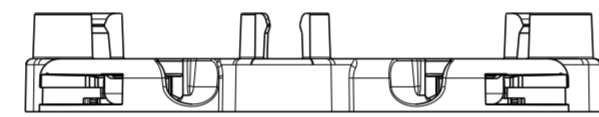
P/N 4-2213678-5



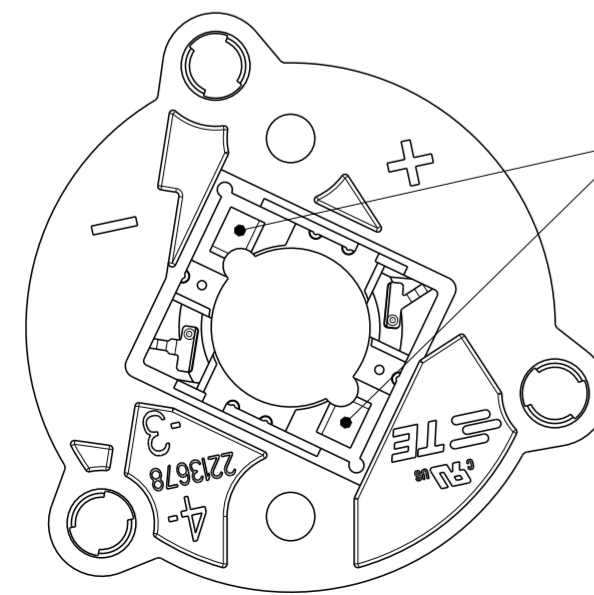
SCALE 2:1



SCALE 2:1

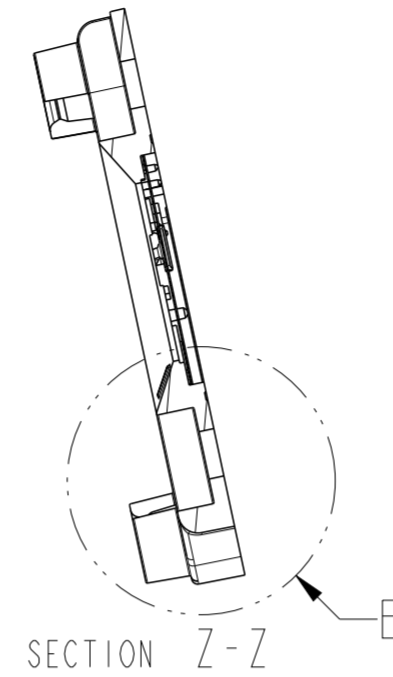


ADHESIVE TAPE WITH RELEASE LINER.

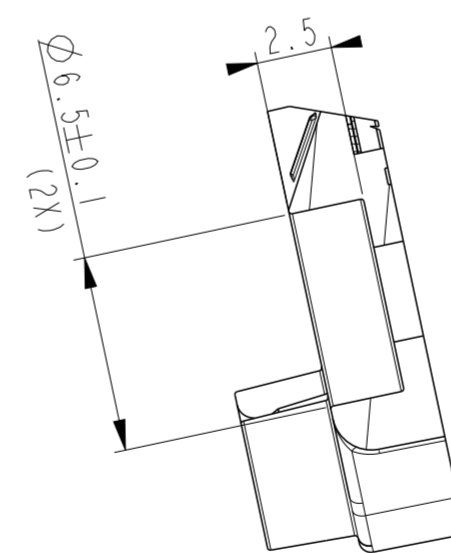
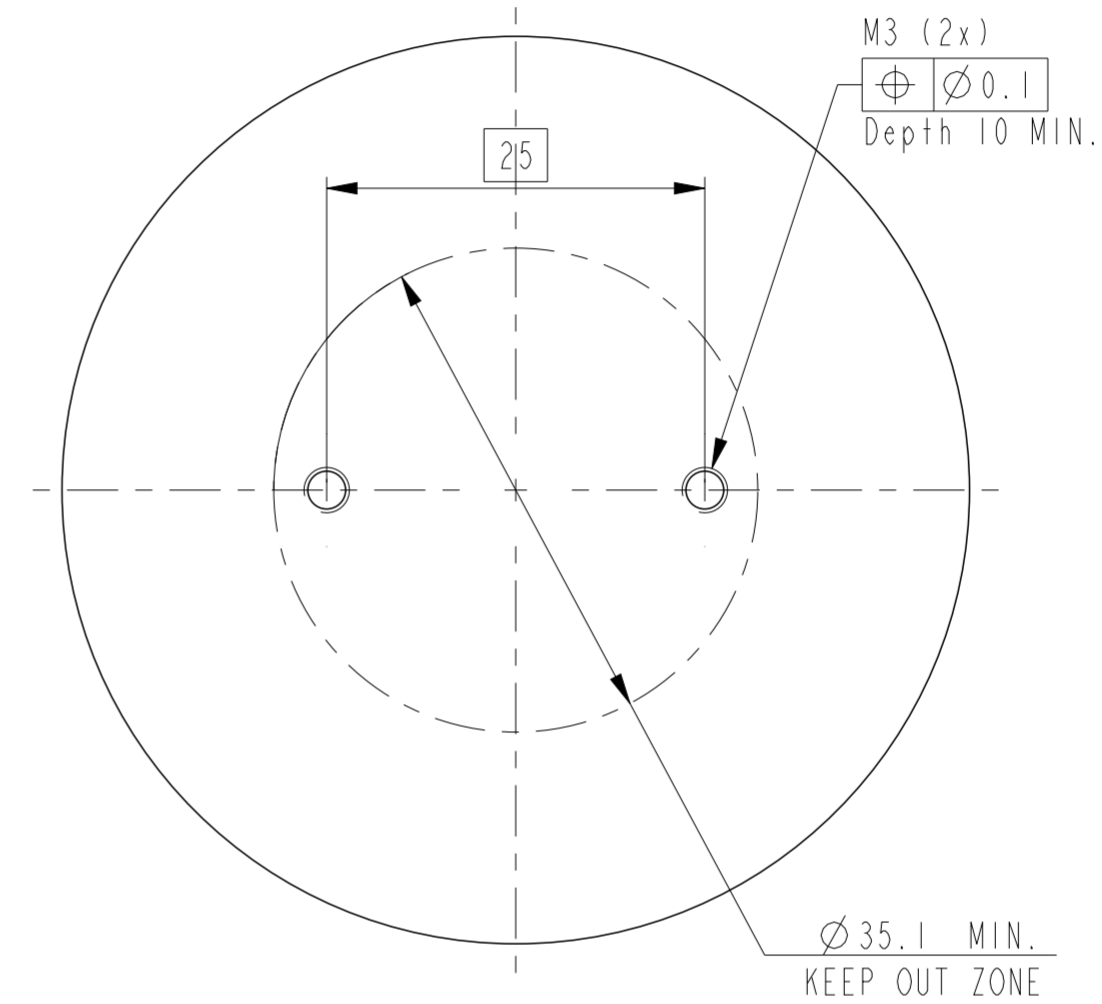


SUBSTRATE POCKET CLEARANCE (REF)

SCALE 2:1



### RECOMMENDED DRILLING HOLE PATTERN



DETAIL B (4:1)

THIS DRAWING IS A CONTROLLED DOCUMENT.		DWN P. POORTER 22MAY2015	TE Connectivity	
DIMENSIONS: mm		CHK O. LEIJNSE 22MAY2015		
TOLERANCES UNLESS OTHERWISE SPECIFIED:		APVD O. LEIJNSE 22MAY2015	NAME MINI COB HOLDER PLATFORM	
0 PLC $\pm 0.2$	1 PLC $\pm 0.2$	PRODUCT SPEC 108-133062	SIZE A2	CAGE CODE 00779
2 PLC $\pm 0.1$	3 PLC $\pm 0.1$	APPLICATION SPEC 114-133062	DRAWING NO. C-2213678	RESTRICTED TO
4 PLC $\pm 0.1$	ANGLES $\pm 5$	WEIGHT	SCALE 1:1	SHEET 3 OF 3
FINISH		CUSTOMER DRAWING	REV C3	

## X-ON Electronics

Largest Supplier of Electrical and Electronic Components

*Click to view similar products for [LED Lighting Mounting Accessories](#) category:*

*Click to view products by [TE Connectivity](#) manufacturer:*

Other Similar products are found below :

[C16142\\_HEKLA-SOCKET-K](#) [3SU1401-1BG20-1AA0](#) [3SU1900-0BC31-0NB0](#) [ES16-RT](#) [1SFA616921R2042](#) [1SFA616921R2131](#)  
[1SFA616921R2133](#) [1SFA616921R2143](#) [1SFA611621R1093](#) [B8910020](#) [D3980022](#) [E3990022](#) [E3990040](#) [CABI12 E BK 1M SET PRM](#)  
[FLAT8 H/U BK 1M SET PRM](#) [BEGTIN12 J/S BK 1M SET PRM](#) [1-2213678-6](#) [C16791\\_CLAMP-Z45-A](#) [F17250\\_SOLDER-CLIP-A](#) [CM22-](#)  
[4-20MA](#) [CM22-R10K-MT](#) [CM22-R1K](#) [CM22-R50K](#) [CM22-R5K-MT](#) [CM22-SLR](#) [10465](#) [M22-A](#) [M22-CK11](#) [M22-CK20](#) [M22G-XGPV](#)  
[M22-K01](#) [M22-LCH-W](#) [M22-LC-R](#) [M22-LED230-R](#) [M22-LED230-W](#) [M22-LEDC230-G](#) [M22-LEDC-G](#) [M22-LEDC-W](#) [M22-LED-G](#)  
[M22-LED-W](#) [M22-L-G](#) [M22-LH-G](#) [M22-LH-R](#) [M22-LH-W](#) [M22-L-R](#) [M22-L-W](#) [M22-L-X](#) [M22-R10K](#) [M22-R1K](#) [M22-R470K](#)