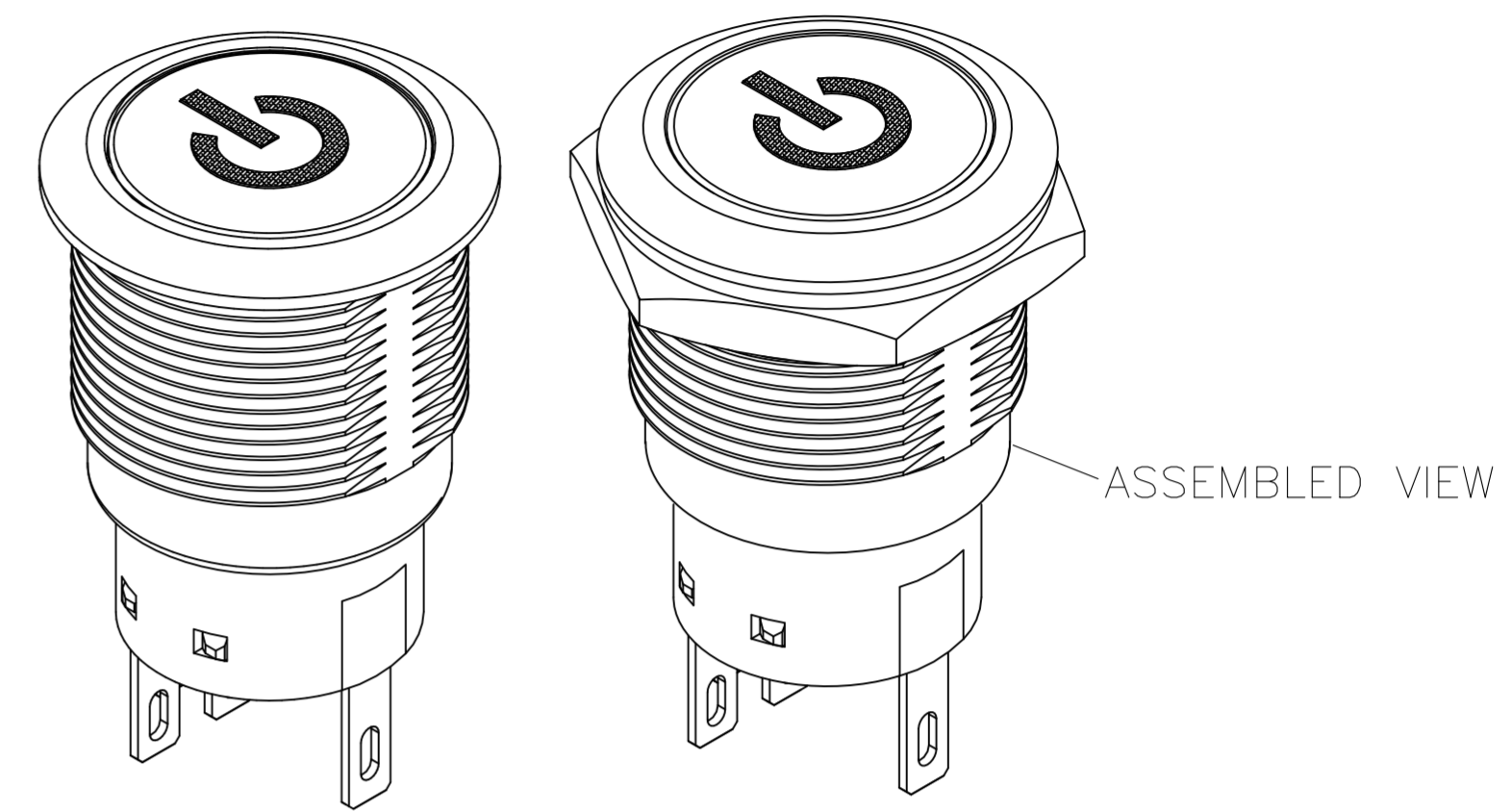
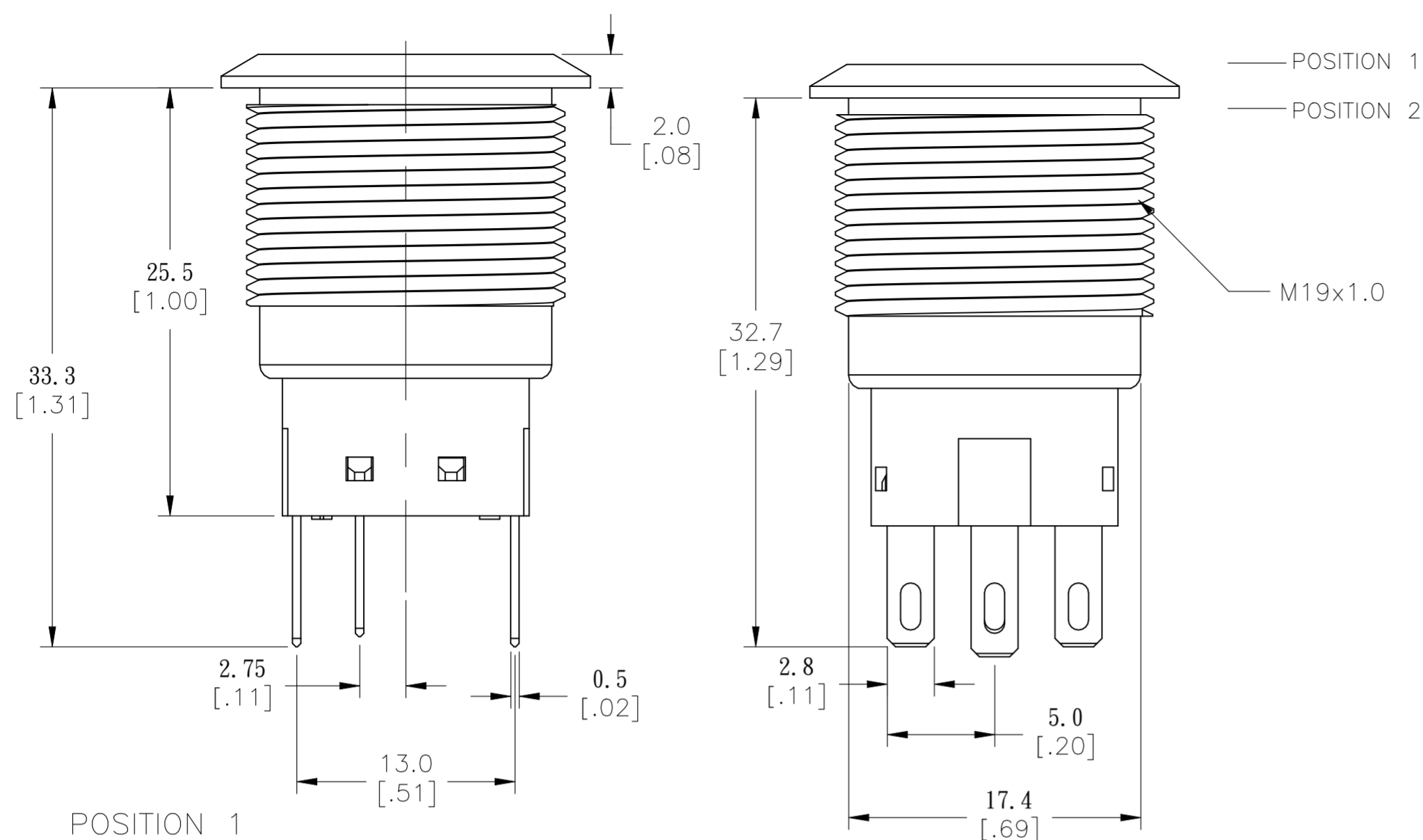


THIS DRAWING IS UNPUBLISHED. RELEASED FOR PUBLICATION
© COPYRIGHT - By - ALL RIGHTS RESERVED.

| REVISIONS | | | | | |
|-----------|-----|---------------------------|-----------|-----|------|
| P | LTR | DESCRIPTION | DATE | DWN | APVD |
| C | | REVISED PER ECR-21-006029 | 02SEP2021 | VG | PO |



SPECIFICATIONS

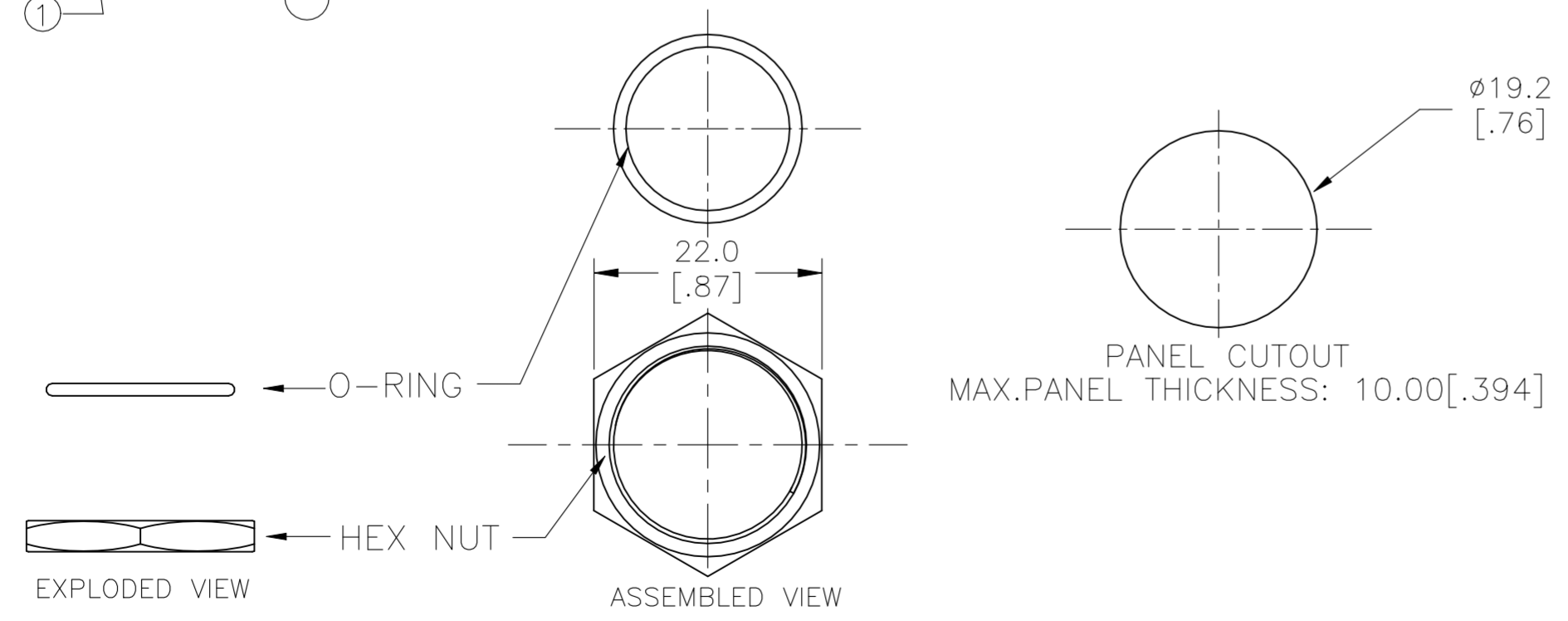
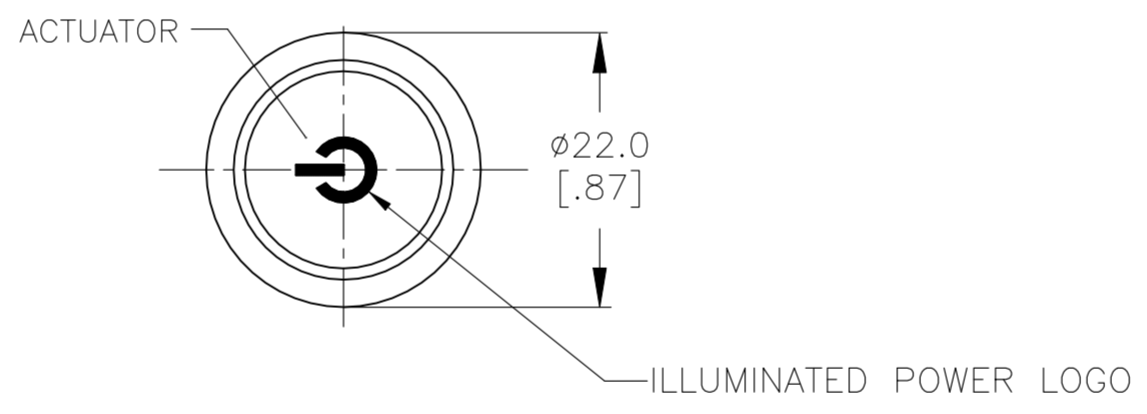
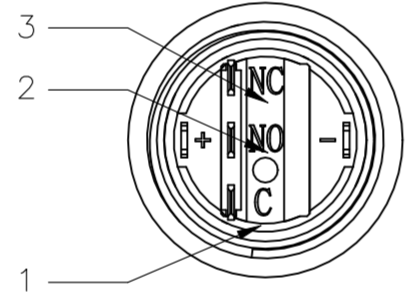
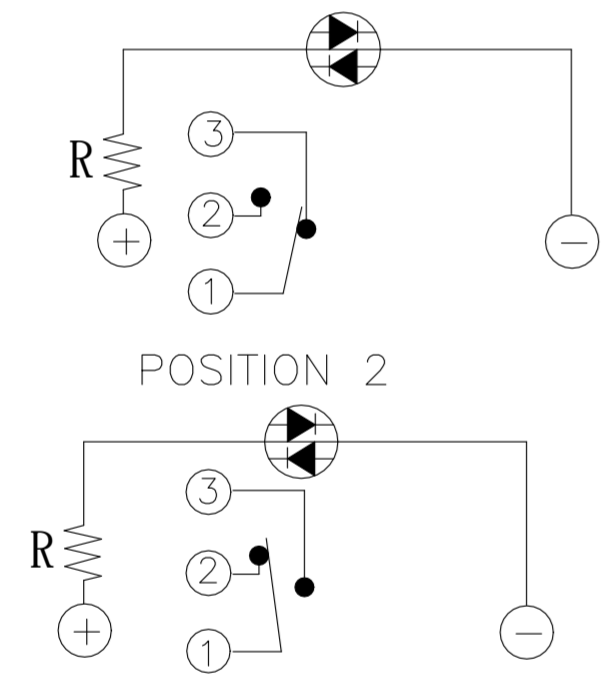
CONTACT RATING: SILVER: 3A @ 250 VAC RESISTIVE
 GOLD: 0.4VA @ 20VDC OR PEAK AC
 INSULATION RESISTANCE: 1,000MΩ MIN AT 500VDC
 DIELECTRIC STRENGTH: 2,000V RMS @ SEA LEVEL
 CONTACT RESISTANCE: 50 mΩ MAX @ 1A 12VDC (INITIAL VALUE)
 ELECTRICAL LIFECYCLES: 50,000 MAKE AND BREAK CYCLES AT FULL LOAD

ACTUATION FORCE: SP: 2.5±1 NEWTON, DP: 3.5±1 NEWTON
 ACTUATION TRAVEL: 3.2mm
 SEALED PER IP67, IK10 (STAINLESS)
 OPERATING TEMPERATURE: -20°C TO +55°C
 MECHANICAL LIFECYCLES: MOMENTARY: 1,000,000 CYCLES
 LOCKING: 500,000 CYCLES
 HARDWARE TORQUE: 5-14 N-m

MATERIALS

BUSHING: STAINLESS STEEL
 BASE: PBT (UL 94-V0), PC (UL 94-V2)
 ACTUATOR: STAINLESS STEEL, PC
 SEALING: O-RING (SILICONE)
 TERMINAL/CONTACT: COPPER BASE, SILVER/GOLD PLATED
 HEX NUT: BRASS BASE, NICKEL PLATED

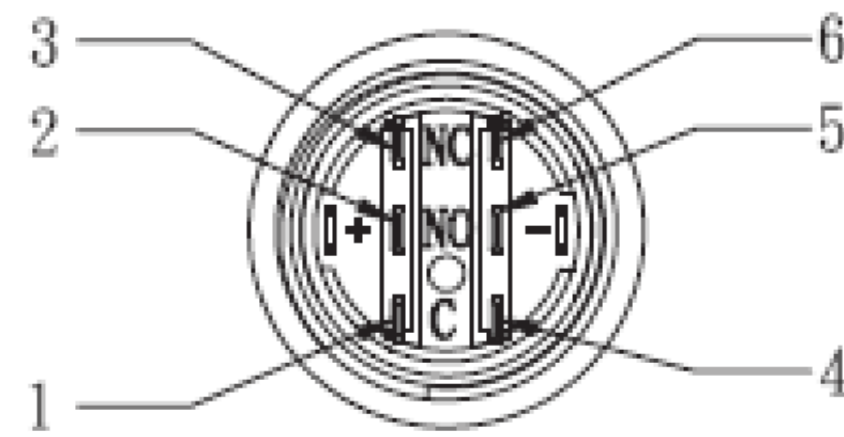
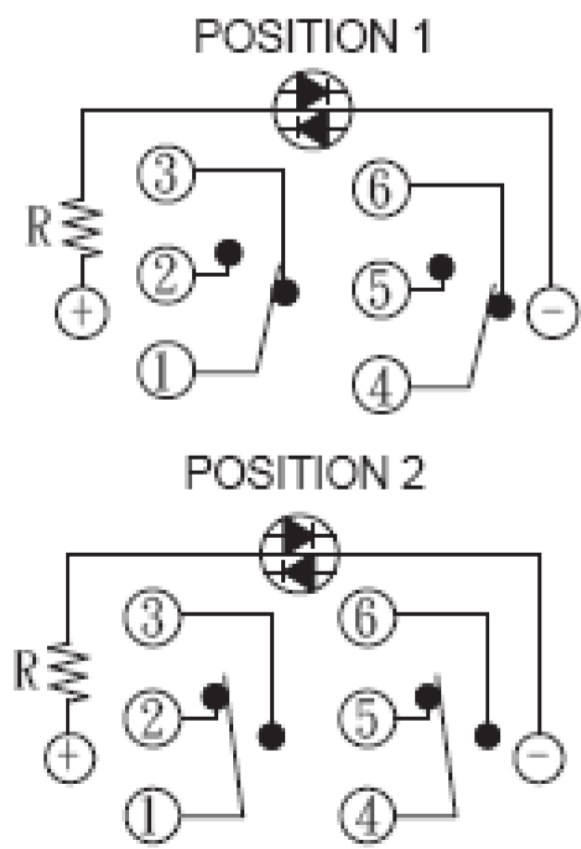
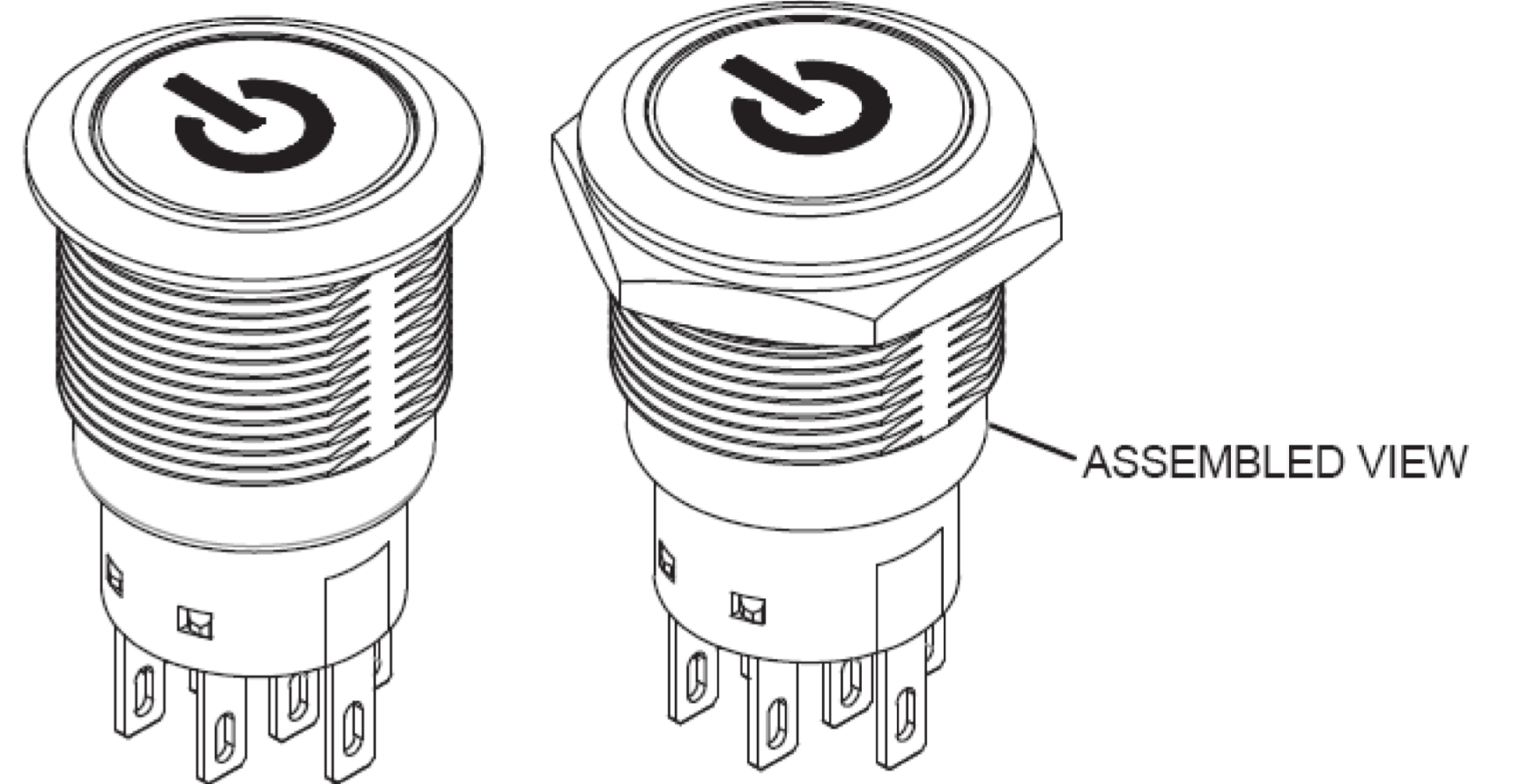
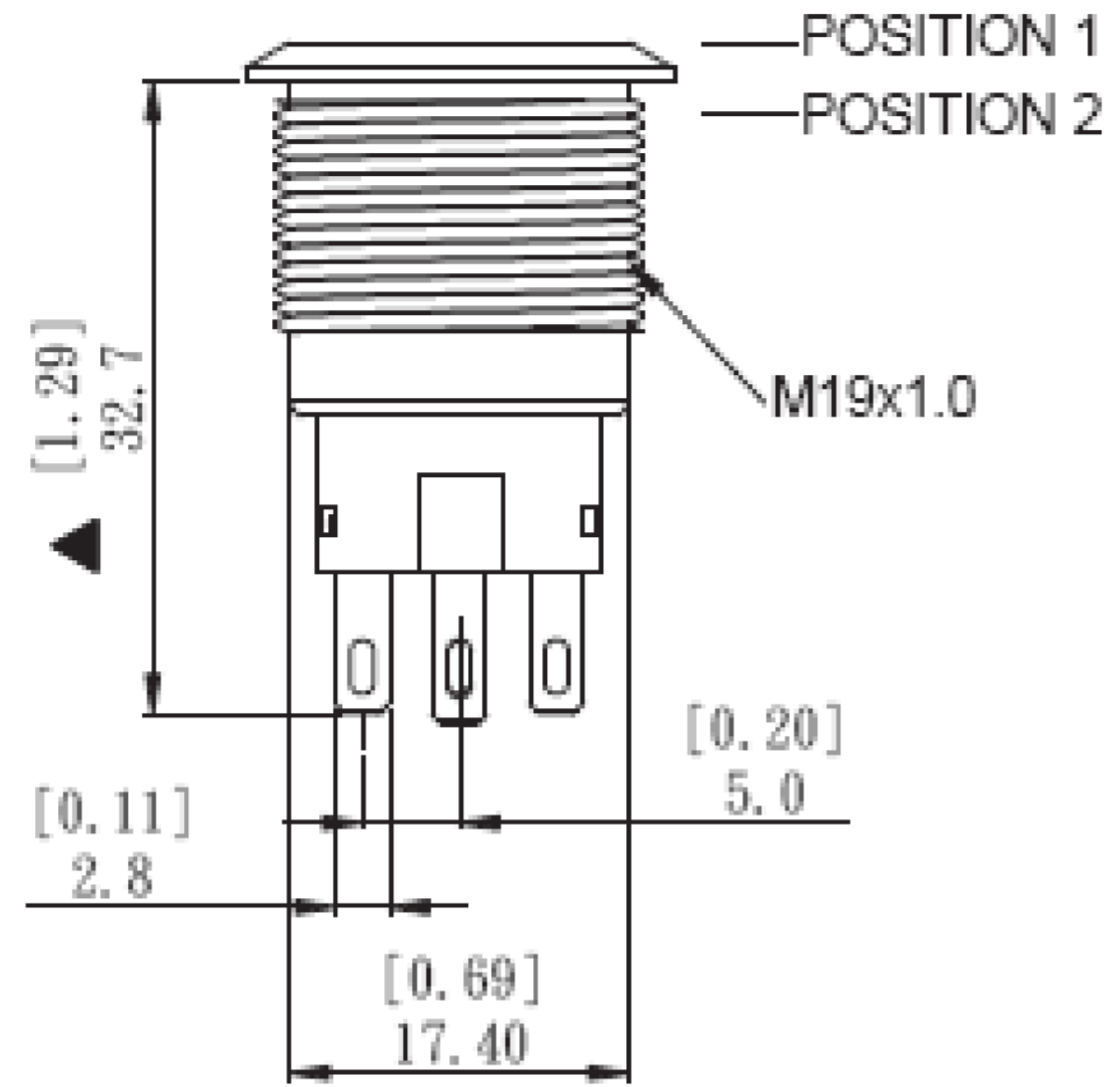
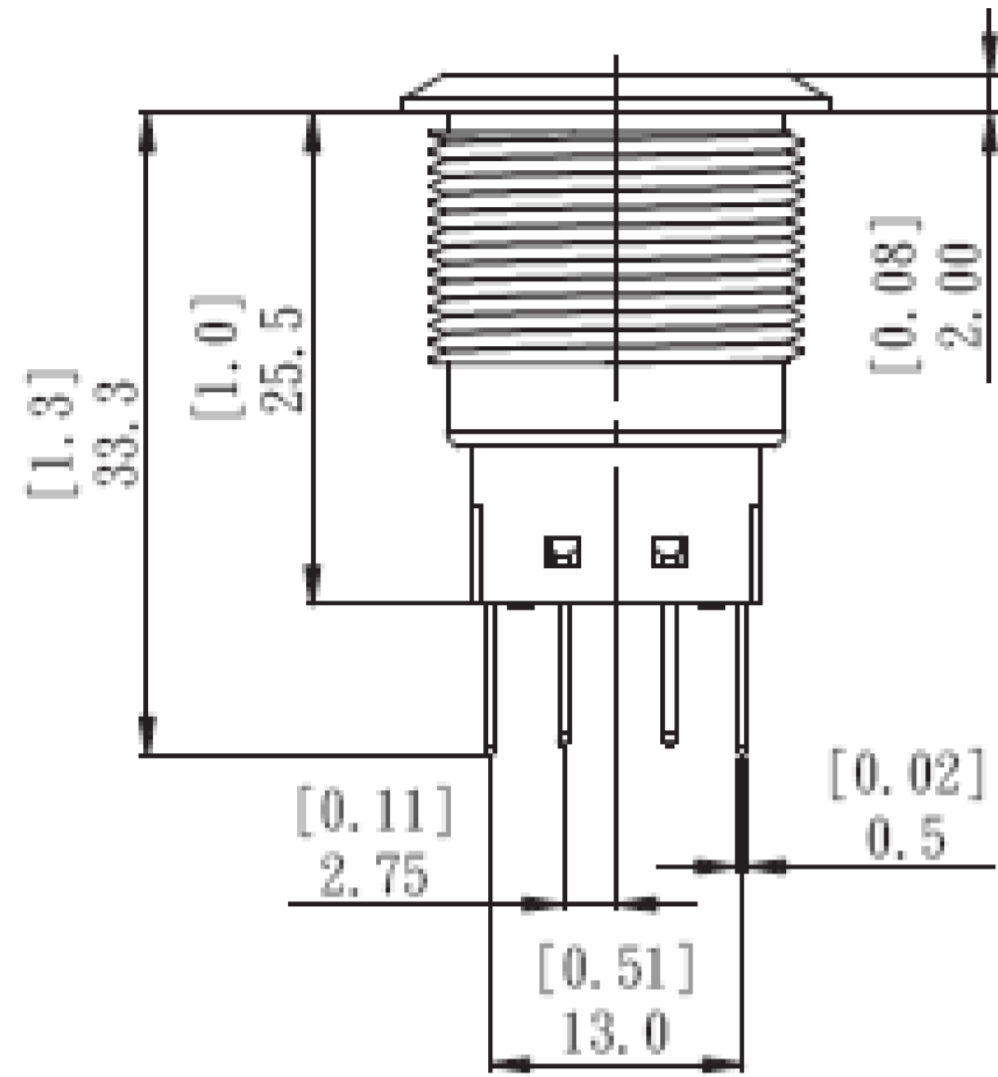
1 ALL MATERIAL AND FINISHES SHALL COMPLY WITH EU DIRECTIVE 2002/95/EC OF 27JAN2003 (ROHS)



| | | | | |
|---|--|-----------------------------------|---|-------------------------|
| THIS DRAWING IS A CONTROLLED DOCUMENT. | | DWN NAGALAKSHMI K 08FEB2016 | STE TE Connectivity | |
| DIMENSIONS: mm [INCHES] | | CHK HILL RYAN 08FEB2016 | | |
| TOLERANCES UNLESS OTHERWISE SPECIFIED: | | APVD HILL RYAN 08FEB2016 | NAME ANTI-VANDAL SWITCH 19mm POWER LOGO LED | |
| 0 PLC ± - 1 PLC ± - 2 PLC ± - 3 PLC ± - 4 PLC ± - ANGLES ± - | | PRODUCT SPEC | SIZE A2 | CAGE CODE 00779 |
| MATERIAL | | FINISH | WEIGHT 0 | DRAWING NO C=2213766 |
| | | | CUSTOMER DRAWING | RESTRICTED TO - |
| | | | SCALE 6:1 | SHEET 1 of 3 |
| | | | | REV C |

THIS DRAWING IS UNPUBLISHED. RELEASED FOR PUBLICATION
 © COPYRIGHT - By - ALL RIGHTS RESERVED.


| REVISIONS | | | | | |
|-----------|-----|-------------|------|-----|------|
| P | LTR | DESCRIPTION | DATE | DWN | APVD |
| - | - | SEE SHEET 1 | - | - | - |



| | | | | | | | | | | | | | | | | | | | | | | | | |
|--|---|-----------------------------------|---|--------------|-------|-----------------|----------|-------|---|---|-------|---|---|-------|---|---|--------|---|---|-------------------|------------|--------------------|-------------------------|--------------------|
| THIS DRAWING IS A CONTROLLED DOCUMENT. | | DWN NAGALAKSHMI K 08FEB2016 | | | | | | | | | | | | | | | | | | | | | | |
| DIMENSIONS: mm [INCHES] | | CHK HILL RYAN 08FEB2016 | | | | | | | | | | | | | | | | | | | | | | |
| TOLERANCES UNLESS OTHERWISE SPECIFIED: | | APVD HILL RYAN 08FEB2016 | NAME ANTI-VANDAL SWITCH 19mm POWER LOGO LED | | | | | | | | | | | | | | | | | | | | | |
| <table border="1"> <tr><td>0 PLC</td><td>±</td><td>-</td></tr> <tr><td>1 PLC</td><td>±</td><td>-</td></tr> <tr><td>2 PLC</td><td>±</td><td>-</td></tr> <tr><td>3 PLC</td><td>±</td><td>-</td></tr> <tr><td>4 PLC</td><td>±</td><td>-</td></tr> <tr><td>ANGLES</td><td>±</td><td>-</td></tr> </table> | | 0 PLC | ± | - | 1 PLC | ± | - | 2 PLC | ± | - | 3 PLC | ± | - | 4 PLC | ± | - | ANGLES | ± | - | PRODUCT SPEC - | SIZE A2 | CAGE CODE 00779 | DRAWING NO C=2213766 | RESTRICTED TO - |
| 0 PLC | ± | - | | | | | | | | | | | | | | | | | | | | | | |
| 1 PLC | ± | - | | | | | | | | | | | | | | | | | | | | | | |
| 2 PLC | ± | - | | | | | | | | | | | | | | | | | | | | | | |
| 3 PLC | ± | - | | | | | | | | | | | | | | | | | | | | | | |
| 4 PLC | ± | - | | | | | | | | | | | | | | | | | | | | | | |
| ANGLES | ± | - | | | | | | | | | | | | | | | | | | | | | | |
| MATERIAL - | | FINISH - | WEIGHT - | SCALE NTS | | SHEET 2 of 3 | REV C | | | | | | | | | | | | | | | | | |
| CUSTOMER DRAWING | | | | | | | | | | | | | | | | | | | | | | | | |

| THIS DRAWING IS UNPUBLISHED. | | RELEASED FOR PUBLICATION | | | | REVISIONS | | | | | | | |
|------------------------------|---------|--------------------------|-------------|-------------------|----------------|-----------|-----|-------------|--|--|------|-----|------|
| © COPYRIGHT - By - | | ALL RIGHTS RESERVED. | | | | P | LTR | DESCRIPTION | | | DATE | DWN | APVD |
| DOUBLE POLE-MOMENTARY | SILVER | WHITE | 24V | AV1920P124Q04 | 4-2213766-3 | | | SEE SHEET 1 | | | - | - | - |
| | GOLD | WHITE | 12V | AV1920P112R04 | 4-2213766-2 | | | | | | | | |
| | SILVER | WHITE | 12V | AV1920P112Q04 | 4-2213766-1 | | | | | | | | |
| SINGLE POLE-LOCKING | GOLD | BLUE | 24V | AV1911P724R04 | 4-2213766-0 | | | | | | | | |
| | SILVER | BLUE | 24V | AV1911P724Q04 | 3-2213766-9 | | | | | | | | |
| | GOLD | BLUE | 12V | AV1911P712R04 | 3-2213766-8 | | | | | | | | |
| | SILVER | BLUE | 12V | AV1911P712Q04 | 3-2213766-7 | | | | | | | | |
| | GOLD | GREEN | 24V | AV1911P624R04 | 3-2213766-6 | | | | | | | | |
| | SILVER | GREEN | 24V | AV1911P624Q04 | 3-2213766-5 | | | | | | | | |
| | GOLD | GREEN | 12V | AV1911P612R04 | 3-2213766-4 | | | | | | | | |
| | SILVER | GREEN | 12V | AV1911P612Q04 | 3-2213766-3 | | | | | | | | |
| | GOLD | YELLOW | 24V | AV1911P524R04 | 3-2213766-2 | | | | | | | | |
| | SILVER | YELLOW | 24V | AV1911P524Q04 | 3-2213766-1 | | | | | | | | |
| | GOLD | YELLOW | 12V | AV1911P512R04 | 3-2213766-0 | | | | | | | | |
| | SILVER | YELLOW | 12V | AV1911P512Q04 | 2-2213766-9 | | | | | | | | |
| | GOLD | RED | 24V | AV1911P324R04 | 2-2213766-8 | | | | | | | | |
| | SILVER | RED | 24V | AV1911P324Q04 | 2-2213766-7 | | | | | | | | |
| | GOLD | RED | 12V | AV1911P312R04 | 2-2213766-6 | | | | | | | | |
| | SILVER | RED | 12V | AV1911P312Q04 | 2-2213766-5 | | | | | | | | |
| | GOLD | WHITE | 24V | AV1911P124R04 | 2-2213766-4 | | | | | | | | |
| | SILVER | WHITE | 24V | AV1911P124Q04 | 2-2213766-3 | | | | | | | | |
| | GOLD | WHITE | 12V | AV1911P112R04 | 2-2213766-2 | | | | | | | | |
| | SILVER | WHITE | 12V | AV1911P112Q04 | 2-2213766-1 | | | | | | | | |
| SINGLE POLE-MOMENTARY | GOLD | BLUE | 24V | AV1910P724R04 | 2-2213766-0 | | | | | | | | |
| | SILVER | BLUE | 24V | AV1910P724Q04 | 1-2213766-9 | | | | | | | | |
| | GOLD | BLUE | 12V | AV1910P712R04 | 1-2213766-8 | | | | | | | | |
| | SILVER | BLUE | 12V | AV1910P712Q04 | 1-2213766-7 | | | | | | | | |
| | GOLD | GREEN | 24V | AV1910P624R04 | 1-2213766-6 | | | | | | | | |
| | SILVER | GREEN | 24V | AV1910P624Q04 | 1-2213766-5 | | | | | | | | |
| | GOLD | GREEN | 12V | AV1910P612R04 | 1-2213766-4 | | | | | | | | |
| | SILVER | GREEN | 12V | AV1910P612Q04 | 1-2213766-3 | | | | | | | | |
| | GOLD | YELLOW | 24V | AV1910P524R04 | 1-2213766-2 | | | | | | | | |
| | SILVER | YELLOW | 24V | AV1910P524Q04 | 1-2213766-1 | | | | | | | | |
| | GOLD | YELLOW | 12V | AV1910P512R04 | 1-2213766-0 | | | | | | | | |
| | SILVER | YELLOW | 12V | AV1910P512Q04 | 2213766-9 | | | | | | | | |
| | GOLD | RED | 24V | AV1910P324R04 | 2213766-8 | | | | | | | | |
| | SILVER | RED | 24V | AV1910P324Q04 | 2213766-7 | | | | | | | | |
| | GOLD | RED | 12V | AV1910P312R04 | 2213766-6 | | | | | | | | |
| | SILVER | RED | 12V | AV1910P312Q04 | 2213766-5 | | | | | | | | |
| | GOLD | WHITE | 24V | AV1910P124R04 | 2213766-4 | | | | | | | | |
| | SILVER | WHITE | 24V | AV1910P124Q04 | 2213766-3 | | | | | | | | |
| | GOLD | WHITE | 12V | AV1910P112R04 | 2213766-2 | | | | | | | | |
| | SILVER | WHITE | 12V | AV1910P112Q04 | 2213766-1 | | | | | | | | |
| POLE/THROW | CONTACT | LED COLOUR | LED VOLTAGE | TE DESCRIPTIVE PN | TE PART NUMBER | | | | | | | | |

| THIS DRAWING IS UNPUBLISHED. | | RELEASED FOR PUBLICATION | | | | REVISIONS | | | | | | | |
|------------------------------|--------|--------------------------|-----|---------------|-------------|-----------|-----|-------------|--|--|------|-----|------|
| © COPYRIGHT - By - | | ALL RIGHTS RESERVED. | | | | P | LTR | DESCRIPTION | | | DATE | DWN | APVD |
| DOUBLE POLE-LOCKING | GOLD | BLUE | 24V | AV1921P724R04 | 8-2213766-0 | | | | | | | | |
| | SILVER | BLUE | 24V | AV1921P724Q04 | 7-2213766-9 | | | | | | | | |
| | GOLD | BLUE | 12V | AV1921P712R04 | 7-2213766-8 | | | | | | | | |
| | SILVER | BLUE | 12V | AV1921P712Q04 | 7-2213766-7 | | | | | | | | |
| | GOLD | GREEN | 24V | AV1921P624R04 | 7-2213766-6 | | | | | | | | |
| | SILVER | GREEN | 24V | AV1921P624Q04 | 7-2213766-5 | | | | | | | | |
| | GOLD | GREEN | 12V | AV1921P612R04 | 7-2213766-4 | | | | | | | | |
| | SILVER | GREEN | 12V | AV1921P612Q04 | 7-2213766-3 | | | | | | | | |
| | GOLD | YELLOW | 24V | AV1921P524R04 | 7-2213766-2 | | | | | | | | |
| | SILVER | YELLOW | 24V | AV1921P524Q04 | 7-2213766-1 | | | | | | | | |
| | GOLD | YELLOW | 12V | AV1921P512R04 | 7-2213766-0 | | | | | | | | |
| | SILVER | YELLOW | 12V | AV1921P512Q04 | 6-2213766-9 | | | | | | | | |
| | GOLD | RED | 24V | AV1921P324R04 | 6-2213766-8 | | | | | | | | |
| | SILVER | RED | 24V | AV1921P324Q04 | 6-2213766-7 | | | | | | | | |
| | GOLD | RED | 12V | AV1921P312R04 | 6-2213766-6 | | | | | | | | |
| | SILVER | RED | 12V | AV1921P312Q04 | 6-2213766-5 | | | | | | | | |
| | GOLD | WHITE | 24V | AV1921P124R04 | 6-2213766-4 | | | | | | | | |
| | SILVER | WHITE | 24V | AV1921P124Q04 | 6-2213766-3 | | | | | | | | |
| | GOLD | WHITE | 12V | AV1921P112R04 | 6-2213766-2 | | | | | | | | |
| | SILVER | WHITE | 12V | AV1921P112Q04 | 6-2213766-1 | | | | | | | | |
| DOUBLE POLE-MOMENTARY | GOLD | BLUE | 24V | AV1920P724R04 | 6-2213766-0 | | | | | | | | |
| | SILVER | BLUE | 24V | AV1920P724Q04 | 5-2213766-9 | | | | | | | | |
| | GOLD | BLUE | 12V | AV1920P712R04 | 5-2213766-8 | | | | | | | | |
| | SILVER | BLUE | 12V | AV1920P712Q04 | 5-2213766-7 | | | | | | | | |
| | GOLD | GREEN | 24V | AV1920P624R04 | 5-2213766-6 | | | | | | | | |
| | SILVER | GREEN | 24V | AV1920P624Q04 | 5-2213766-5 | | | | | | | | |
| | GOLD | GREEN | 12V | AV1920P612R04 | 5-2213766-4 | | | | | | | | |
| | SILVER | GREEN | 12V | AV1920P612Q04 | 5-2213766-3 | | | | | | | | |
| | GOLD | YELLOW | 24V | AV1920P524R04 | 5-2213766-2 | | | | | | | | |
| | SILVER | YELLOW | 24V | AV1920P524Q04 | 5-2213766-1 | | | | | | | | |
| | GOLD | YELLOW | 12V | AV1920P512R04 | 5-2213766-0 | | | | | | | | |
| | SILVER | YELLOW | 12V | AV1920P512Q04 | 4-2213766-9 | | | | | | | | |
| | GOLD | RED | 24V | AV1920P324R04 | 4-2213766-8 | | | | | | | | |
| | SILVER | RED | 24V | AV1920P324Q04 | 4-2213766-7 | | | | | | | | |
| | GOLD | RED | 12V | AV1920P312R04 | 4-2213766-6 | | | | | | | | |
| | SILVER | RED | 12V | AV1920P312Q04 | 4-2213766-5 | | | | | | | | |
| | GOLD | WHITE | 24V | AV1920P124R04 | 4-2213766-4 | | | | | | | | |

| | | | | | |
|---|--|--|-----------|--|---------------|
| THIS DRAWING IS A CONTROLLED DOCUMENT. | | DWN | 08FEB2016 |  TE Connectivity | |
| DIMENSIONS: mm [INCHES] | | CHK | 08FEB2016 | | |
| TOLERANCES UNLESS OTHERWISE SPECIFIED: | | NAME | | | |
| 0 PLC ± - 1 PLC ± - 2 PLC ± - 3 PLC ± - 4 PLC ± - ANGLES ± - | | HILL RYAN HILL RYAN PRODUCT SPEC | | | |
| MATERIAL | | APPLICATION SPEC | | ANTI-VANDAL SWITCH 19mm POWER LOGO LED | |
| FINISH | | WEIGHT | | SIZE | RESTRICTED TO |
| | | - | | A2 | |
| | | - | | CAGE CODE | DRAWING NO |
| | | - | | 00779 | 2213766 |
| | | CUSTOMER DRAWING | | SCALE | SHEET |
| | | | | NTS | 3 of 3 |
| | | | | REV | C |

2213766

A

X-ON Electronics

Largest Supplier of Electrical and Electronic Components

Click to view similar products for [Pushbutton Switches](#) category:

Click to view products by [TE Connectivity](#) manufacturer:

Other Similar products are found below :

[8940K2012](#) [LW1L-M1C10V-A](#) [LW1L-M1C70-A](#) [LW2L-A1C20M-GD](#) [LW2L-M1C20M-A](#) [60324L](#) [M22-D-R-GB0/K11](#) [M7E-HRN2](#)
[67021K512](#) [67081K512X](#) [701PB580](#) [7199K101](#) [810K12910](#) [810KSV30B](#) [MML21EA2ADK](#) [MML21KA3ABK](#) [MML23KA3AC05K-001](#)
[MML23KW3AA01W](#) [8418K2](#) [8442K3](#) [8450K1](#) [860K11911T01A](#) [861901](#) [861K11911T01A07](#) [861K13810T00A14](#) [861K13911](#)
[8646AB6X718UL](#) [8646ABUL](#) [9001KXRK](#) [907AYY100](#) [PMHD155A1](#) [9533CD4+U574+U4922](#) [95-414.000](#) [99-450.837](#) [99-453.837](#)
[PV3H2B0NN-341](#) [1203MRA](#) [A22NZBGANGA](#) [A22NZBNANGA](#) [A22NZMPATRA](#) [A2PMA1X03EC56](#) [A3A-5123-02](#) [A3A-7140](#) [A3A-7310](#) [A3A-7340](#) [A3U-TMW-A2C-5M](#) [A595](#) [12037A2ULCSA](#) [ABD122N-B](#) [1211390004](#)