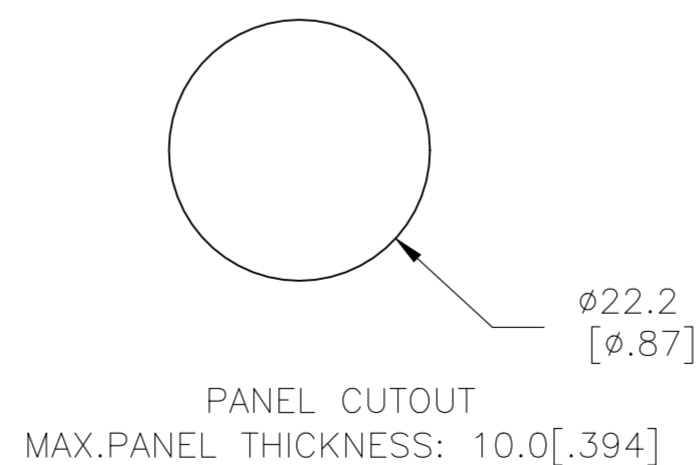
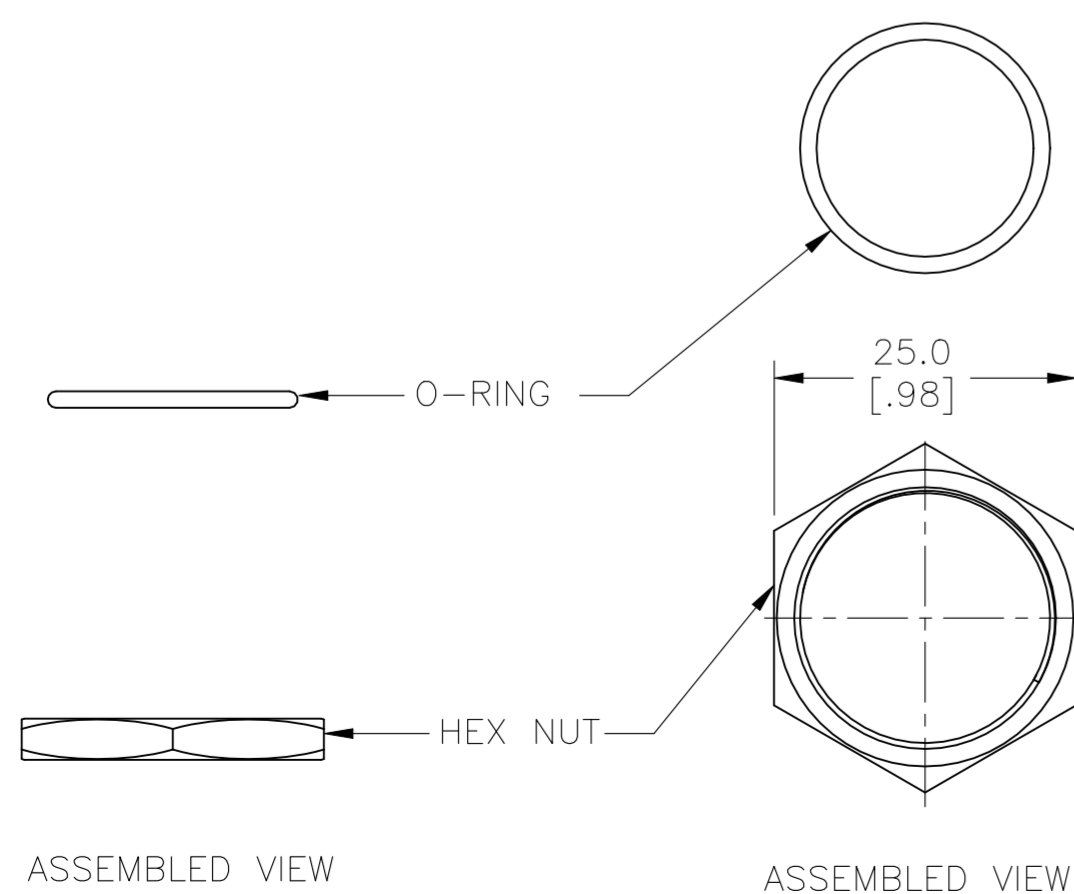
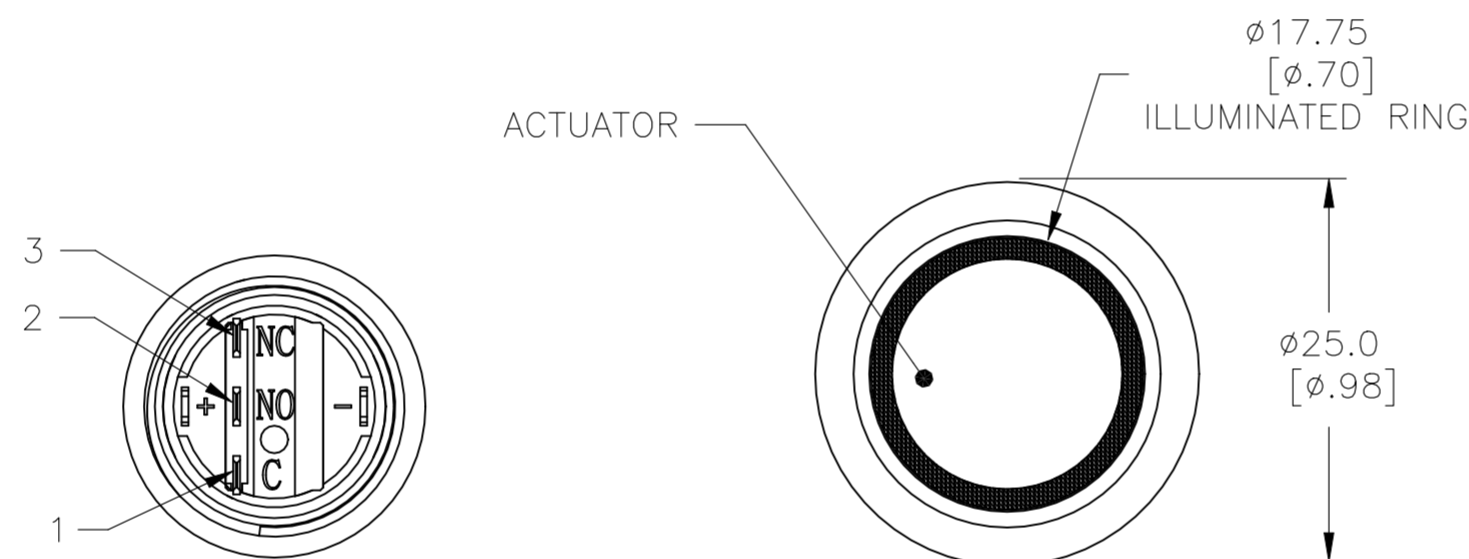
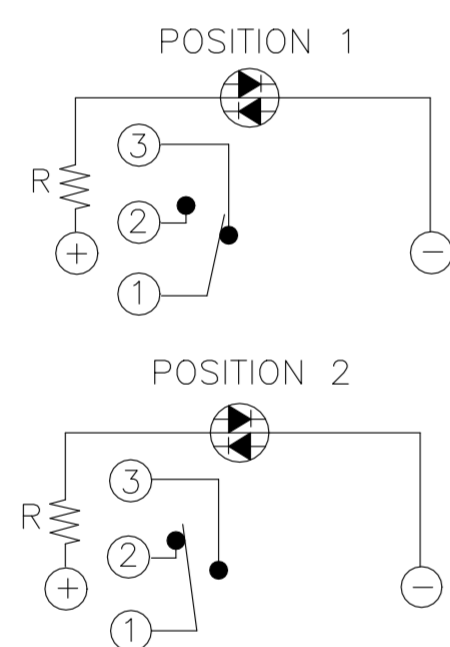
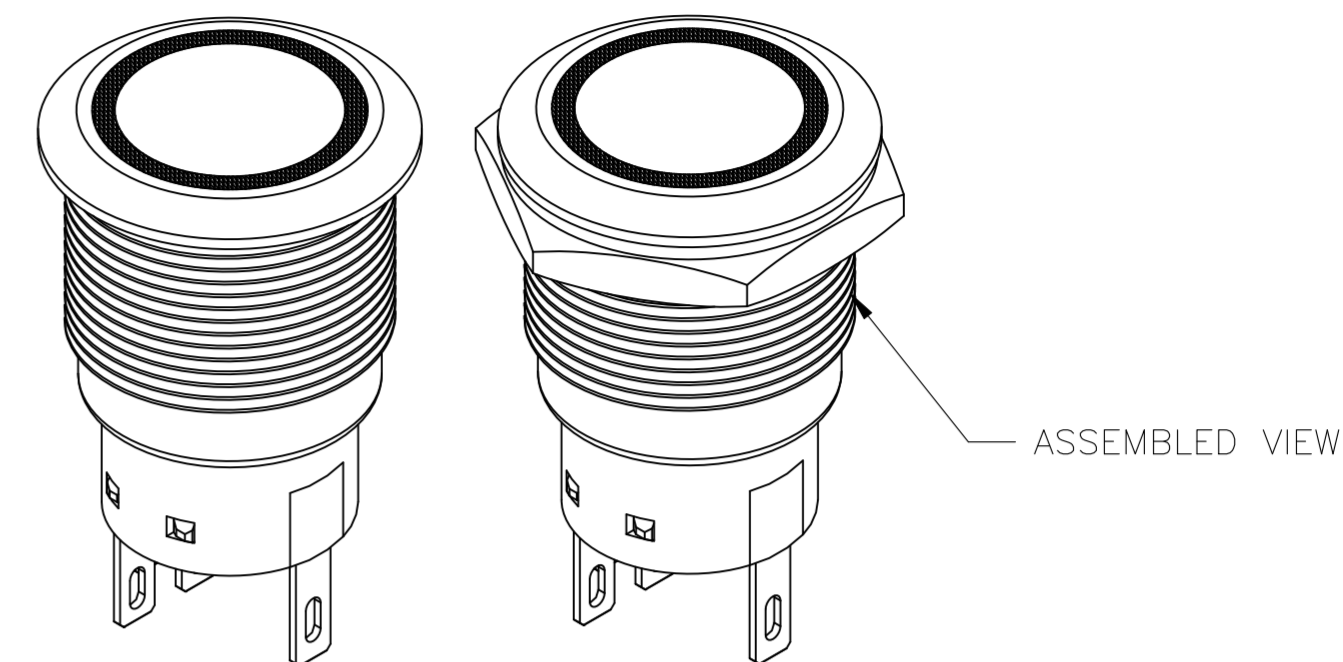
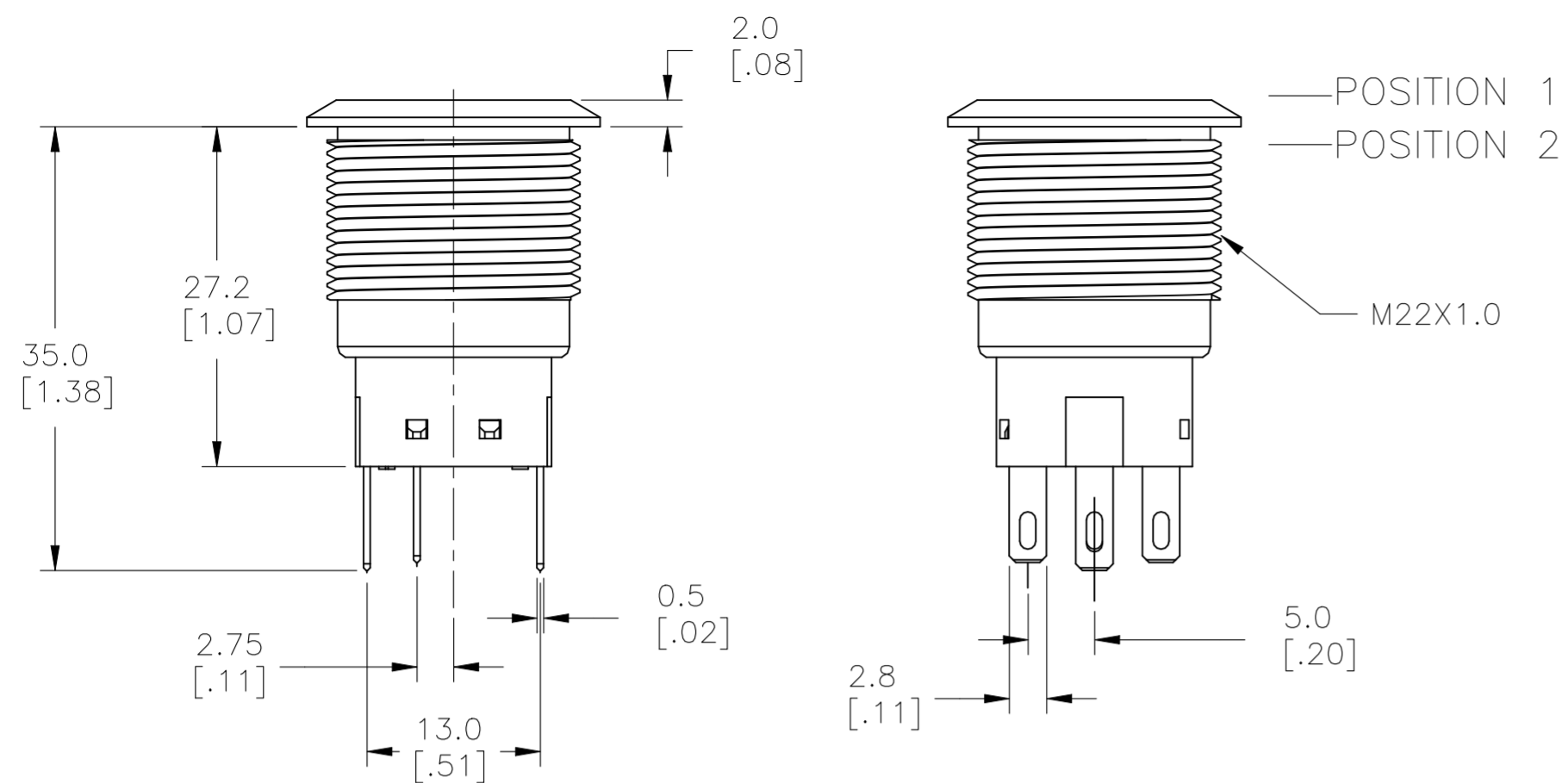


THIS DRAWING IS UNPUBLISHED. RELEASED FOR PUBLICATION  
 © COPYRIGHT - By - ALL RIGHTS RESERVED.

REVISIONS					
P	LTR	DESCRIPTION	DATE	DWN	APVD
B1		REVISED PER ECR-21-006029	02SEP2021	VG	PO



### SPECIFICATIONS

CONTACT RATING: SILVER: 3A @ 250 VAC RESISTIVE  
 GOLD: 0.4VA @ 20VDC OR PEAK AC  
 INSULATION RESISTANCE: 1,000MΩ MIN AT 500VDC  
 DIELECTRIC STRENGTH: 2,000V RMS @ SEA LEVEL  
 CONTACT RESISTANCE: 50 mΩ MAX @ 1A 12VDC (INITIAL VALUE)  
 ELECTRICAL LIFECYCLES: 50,000 MAKE AND BREAK CYCLES AT FULL LOAD

ACTUATION FORCE: SP: 2.5±1 NEWTON, DP: 3.5±1 NEWTON  
 ACTUATION TRAVEL: 3.2MM  
 SEALED PER IP67, IK10 (STAINLESS)  
 OPERATING TEMPERATURE: -20°C TO +55°C  
 MECHANICAL LIFECYCLES: MOMENTARY: 1,000,000 CYCLES  
 LOCKING: 500,000 CYCLES  
 HARDWARE TORQUE: 5-14 N-m

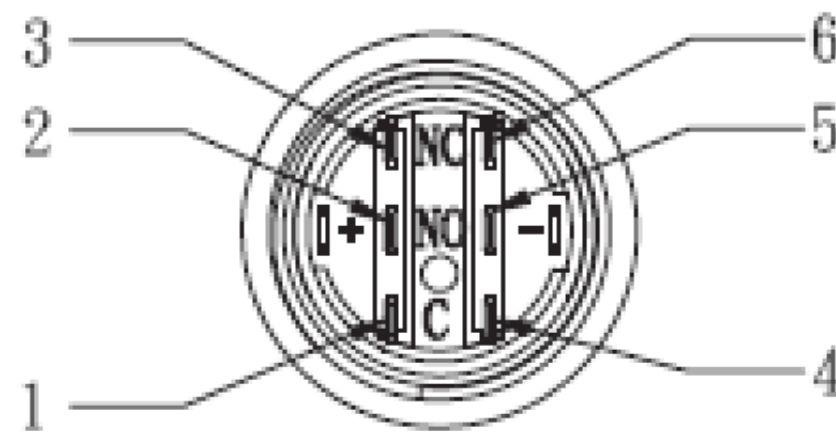
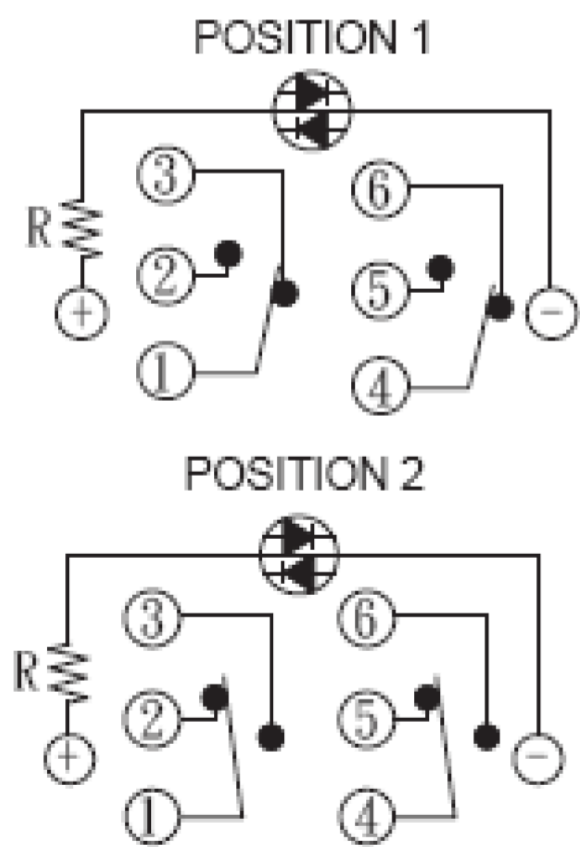
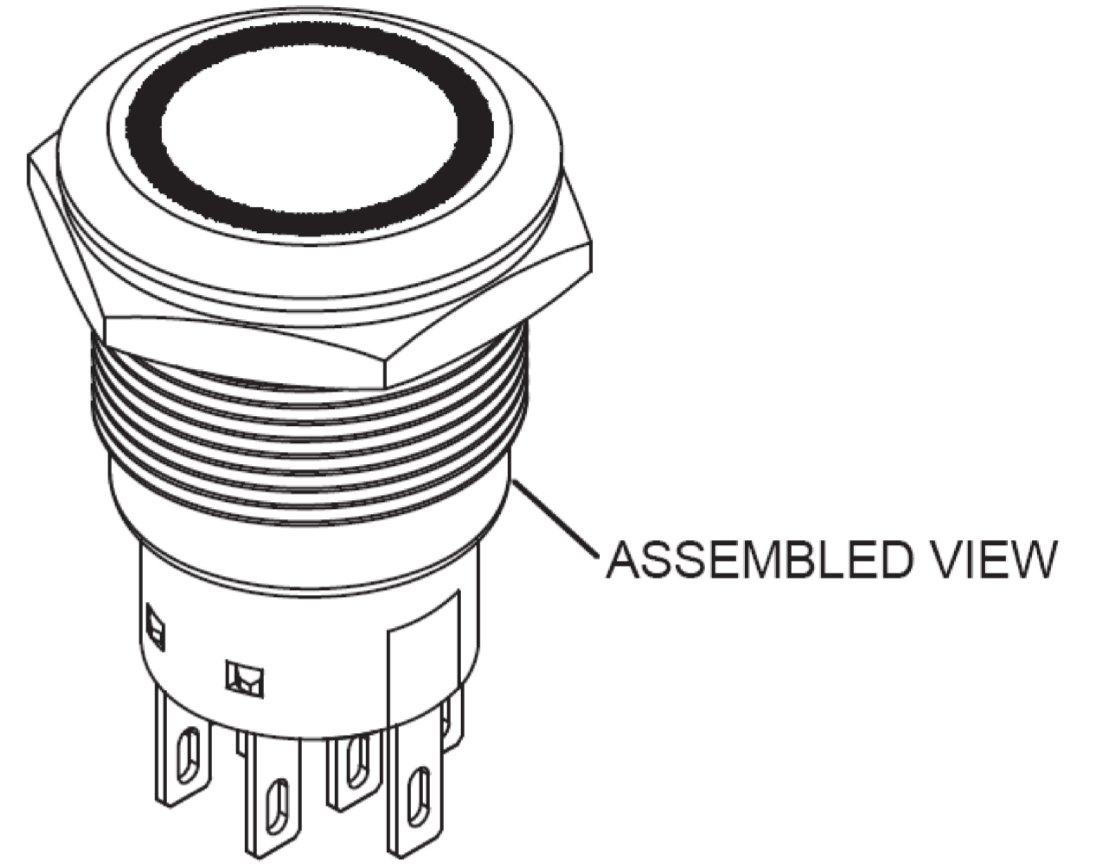
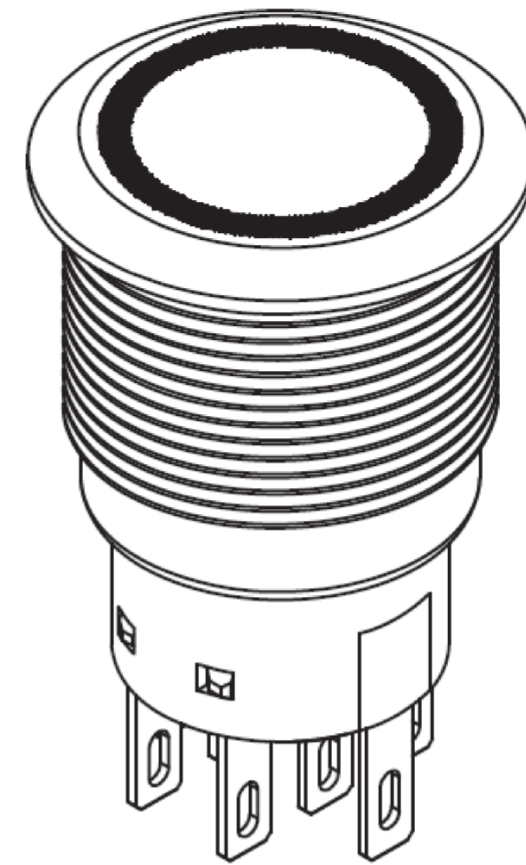
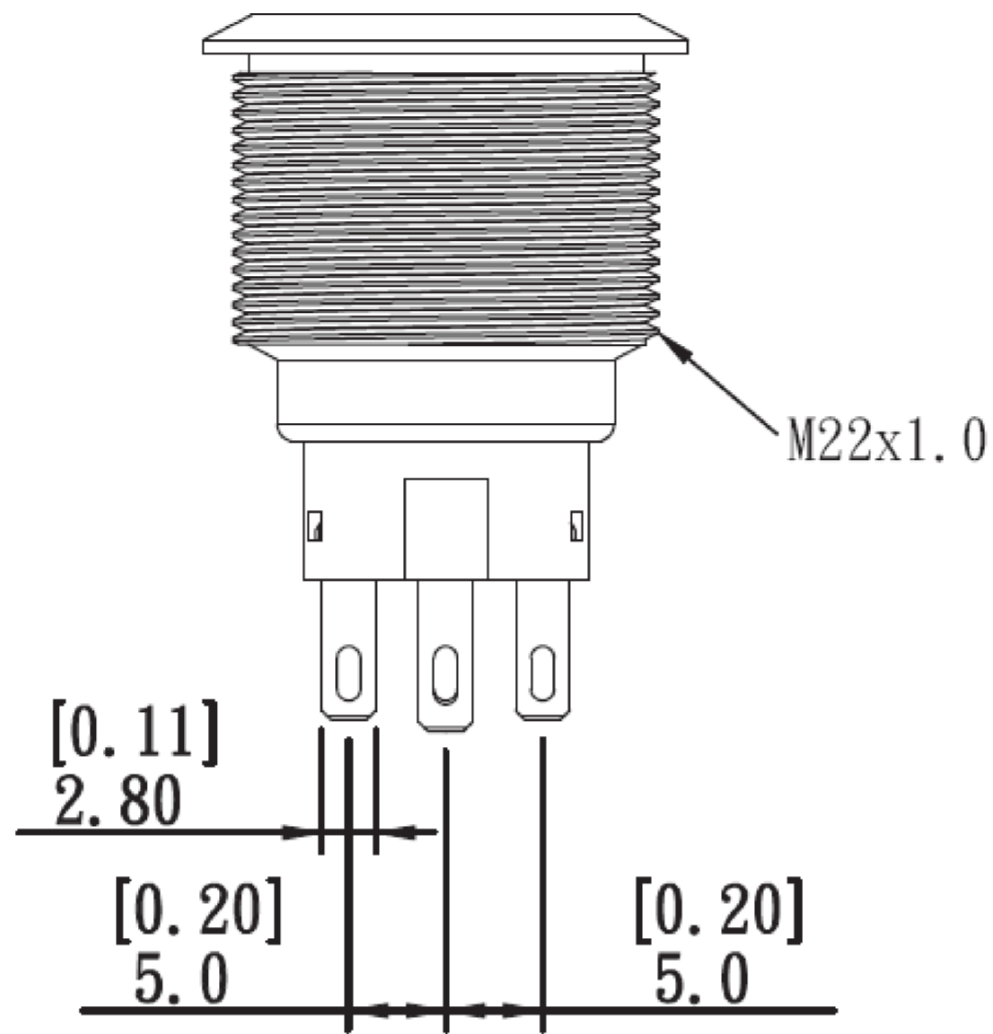
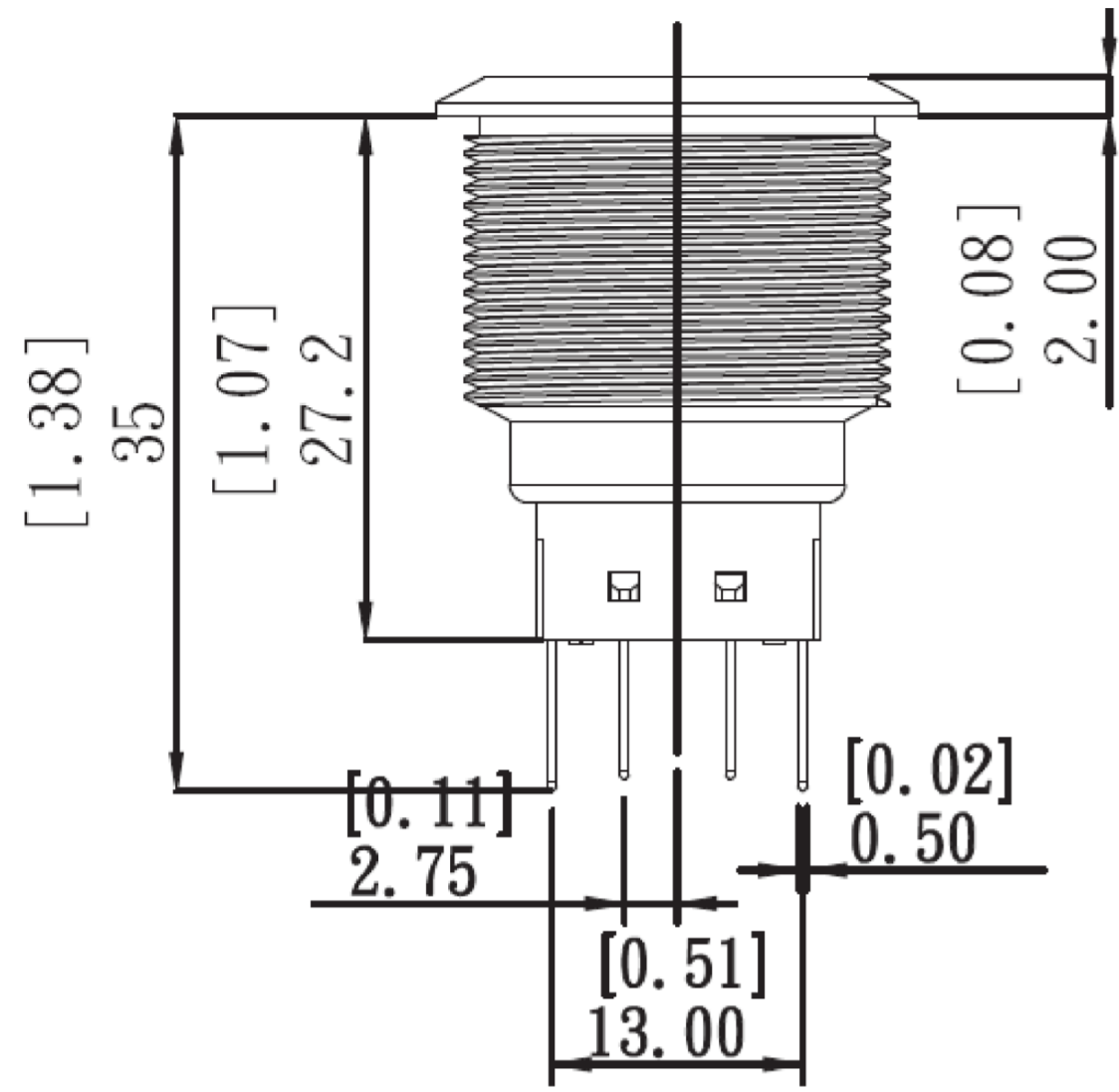
### MATERIALS

BUSHING: STAINLESS STEEL  
 BASE: PBT (UL 94-V0), PC (UL 94-V2)  
 ACTUATOR: STAINLESS STEEL, PC  
 SEALING: O-RING (SILICONE)  
 TERMINAL/CONTACT: COPPER BASE, SILVER/GOLD PLATED  
 HEX NUT: BRASS BASE, NICKEL PLATED

1 ALL MATERIAL AND FINISHES SHALL COMPLY WITH EU DIRECTIVE 2002/95/EC OF 27JAN2003 (ROHS)

THIS DRAWING IS A CONTROLLED DOCUMENT.		DWN NAGALAKSHMI K 09FEB2016	<b>STE</b> TE Connectivity	
DIMENSIONS: mm [INCHES]		CHK HILL RYAN 09FEB2016		
TOLERANCES UNLESS OTHERWISE SPECIFIED:		APVD HILL RYAN 09FEB2016	NAME ANTI-VANDAL SWITCH 22mm MOVING RING LED	
0 PLC ± - 1 PLC ± - 2 PLC ± - 3 PLC ± - 4 PLC ± - ANGLES ± -		PRODUCT SPEC	SIZE A2	
MATERIAL		APPLICATION SPEC	CAGE CODE 00779	DRAWING NO C-2213772
FINISH		WEIGHT 0	RESTRICTED TO	
		CUSTOMER DRAWING	SCALE 1:1	SHEET 1 OF 4
			REV B1	

REVISIONS					
P	LTR	DESCRIPTION	DATE	DWN	APVD
-	-	SEE SHEET 1	-	-	-




THIS DRAWING IS A CONTROLLED DOCUMENT.		DWN NAGALAKSHMI K 09FEB2016																										
DIMENSIONS: mm [INCHES]		CHK HILL RYAN 09FEB2016																										
TOLERANCES UNLESS OTHERWISE SPECIFIED:		APVD HILL RYAN 09FEB2016	NAME ANTI-VANDAL SWITCH 22mm MOVING RING LED																									
<table border="1"> <tr><td>0</td><td>PLC</td><td>±</td><td>-</td></tr> <tr><td>1</td><td>PLC</td><td>±</td><td>-</td></tr> <tr><td>2</td><td>PLC</td><td>±</td><td>-</td></tr> <tr><td>3</td><td>PLC</td><td>±</td><td>-</td></tr> <tr><td>4</td><td>PLC</td><td>±</td><td>-</td></tr> <tr><td></td><td>ANGLES</td><td>±</td><td>-</td></tr> </table>		0	PLC	±	-	1	PLC	±	-	2	PLC	±	-	3	PLC	±	-	4	PLC	±	-		ANGLES	±	-	PRODUCT SPEC -	SIZE A2	CAGE CODE 00779
0	PLC	±	-																									
1	PLC	±	-																									
2	PLC	±	-																									
3	PLC	±	-																									
4	PLC	±	-																									
	ANGLES	±	-																									
MATERIAL -		FINISH -	WEIGHT -	DRAWING NO C=2213772																								
CUSTOMER DRAWING			SCALE 1:1	SHEET 2 of 4																								
			RESTRICTED TO -	REV B1																								

THIS DRAWING IS UNPUBLISHED. RELEASED FOR PUBLICATION  
 © COPYRIGHT - By - ALL RIGHTS RESERVED.

REVISIONS					
P	LTR	DESCRIPTION	DATE	DWN	APVD
-	-	SEE SHEET 1	-	-	-


POLE/THROW	CONTACT	LED COLOR	LED VOLTAGE	TE DESCRIPTIVE PN	TE PART NUMBER
SINGLE POLE- LOCKING	GOLD	BLUE	24V	AV2211E724R04	4-2213772-0
	SILVER	BLUE	24V	AV2211E724Q04	3-2213772-9
	GOLD	BLUE	12V	AV2211E712R04	3-2213772-8
	SILVER	BLUE	12V	AV2211E712Q04	3-2213772-7
	GOLD	GREEN	24V	AV2211E624R04	3-2213772-6
	SILVER	GREEN	24V	AV2211E624Q04	3-2213772-5
	GOLD	GREEN	12V	AV2211E612R04	3-2213772-4
	SILVER	GREEN	12V	AV2211E612Q04	3-2213772-3
	GOLD	YELLOW	24V	AV2211E524R04	3-2213772-2
	SILVER	YELLOW	24V	AV2211E524Q04	3-2213772-1
	GOLD	YELLOW	12V	AV2211E512R04	3-2213772-0
	SILVER	YELLOW	12V	AV2211E512Q04	2-2213772-9
	GOLD	RED	24V	AV2211E324R04	2-2213772-8
	SILVER	RED	24V	AV2211E324Q04	2-2213772-7
	GOLD	RED	12V	AV2211E312R04	2-2213772-6
	SILVER	RED	12V	AV2211E312Q04	2-2213772-5
	GOLD	WHITE	24V	AV2211E124R04	2-2213772-4
	SILVER	WHITE	24V	AV2211E124Q04	2-2213772-3
SINGLE POLE- MOMENTARY	GOLD	WHITE	12V	AV2211E112R04	2-2213772-2
	SILVER	WHITE	12V	AV2211E112Q04	2-2213772-1
	GOLD	BLUE	24V	AV2210E724R04	2-2213772-0
	SILVER	BLUE	24V	AV2210E724Q04	1-2213772-9
	GOLD	BLUE	12V	AV2210E712R04	1-2213772-8
	SILVER	BLUE	12V	AV2210E712Q04	1-2213772-7
	GOLD	GREEN	24V	AV2210E624R04	1-2213772-6
	SILVER	GREEN	24V	AV2210E624Q04	1-2213772-5
	GOLD	GREEN	12V	AV2210E612R04	1-2213772-4
	SILVER	GREEN	12V	AV2210E612Q04	1-2213772-3
	GOLD	YELLOW	24V	AV2210E524R04	1-2213772-2
	SILVER	YELLOW	24V	AV2210E524Q04	1-2213772-1
	GOLD	YELLOW	12V	AV2210E512R04	1-2213772-0
	SILVER	YELLOW	12V	AV2210E512Q04	2213772-9
	GOLD	RED	24V	AV2210E324R04	2213772-8
	SILVER	RED	24V	AV2210E324Q04	2213772-7
	GOLD	RED	12V	AV2210E312R04	2213772-6
	SILVER	RED	12V	AV2210E312Q04	2213772-5
GOLD	WHITE	24V	AV2210E124R04	2213772-4	
SILVER	WHITE	24V	AV2210E124Q04	2213772-3	
GOLD	WHITE	12V	AV2210E112R04	2213772-2	
SILVER	WHITE	12V	AV2210E112Q04	2213772-1	

THIS DRAWING IS A CONTROLLED DOCUMENT.		DWN NAGALAKSHMI K 09FEB2016	 TE Connectivity		
DIMENSIONS: mm [INCHES]		CHK HILL RYAN 09FEB2016			
TOLERANCES UNLESS OTHERWISE SPECIFIED:		APVD HILL RYAN 09FEB2016	NAME ANTI-VANDAL SWITCH 22mm MOVING RING LED		
0 PLC ± - 1 PLC ± - 2 PLC ± - 3 PLC ± - 4 PLC ± - ANGLES ± -		PRODUCT SPEC APPLICATION SPEC	SIZE A2	CAGE CODE 00779	DRAWING NO C-2213772
MATERIAL		WEIGHT -	SCALE 1:1	SHEET 3 of 4	RESTRICTED TO REV B1
CUSTOMER DRAWING					

THIS DRAWING IS UNPUBLISHED. RELEASED FOR PUBLICATION  
 © COPYRIGHT - By - ALL RIGHTS RESERVED.

REVISIONS					
P	LTR	DESCRIPTION	DATE	DWN	APVD
-	-	SEE SHEET 1	-	-	-

POLE/THROW	CONTACT	LED COLOR	LED VOLTAGE	TE DESCRIPTIVE PN	TE PART NUMBER
DOUBLE POLE-LOCKING	GOLD	BLUE	24V	AV2221E724R04	8-2213772-0
	SILVER	BLUE	24V	AV2221E724Q04	7-2213772-9
	GOLD	BLUE	12V	AV2221E712R04	7-2213772-8
	SILVER	BLUE	12V	AV2221E712Q04	7-2213772-7
	GOLD	GREEN	24V	AV2221E624R04	7-2213772-6
	SILVER	GREEN	24V	AV2221E624Q04	7-2213772-5
	GOLD	GREEN	12V	AV2221E612R04	7-2213772-4
	SILVER	GREEN	12V	AV2221E612Q04	7-2213772-3
	GOLD	YELLOW	24V	AV2221E524R04	7-2213772-2
	SILVER	YELLOW	24V	AV2221E524Q04	7-2213772-1
	GOLD	YELLOW	12V	AV2221E512R04	7-2213772-0
	SILVER	YELLOW	12V	AV2221E512Q04	6-2213772-9
	GOLD	RED	24V	AV2221E324R04	6-2213772-8
	SILVER	RED	24V	AV2221E324Q04	6-2213772-7
	GOLD	RED	12V	AV2221E312R04	6-2213772-6
	SILVER	RED	12V	AV2221E312Q04	6-2213772-5
DOUBLE POLE-MOMENTARY	GOLD	WHITE	24V	AV2221E124R04	6-2213772-4
	SILVER	WHITE	24V	AV2221E124Q04	6-2213772-3
	GOLD	WHITE	12V	AV2221E112R04	6-2213772-2
	SILVER	WHITE	12V	AV2221E112Q04	6-2213772-1
	GOLD	BLUE	24V	AV2220E724R04	6-2213772-0
	SILVER	BLUE	24V	AV2220E724Q04	5-2213772-9
	GOLD	BLUE	12V	AV2220E712R04	5-2213772-8
	SILVER	BLUE	12V	AV2220E712Q04	5-2213772-7
	GOLD	GREEN	24V	AV2220E624R04	5-2213772-6
	SILVER	GREEN	24V	AV2220E624Q04	5-2213772-5
	GOLD	GREEN	12V	AV2220E612R04	5-2213772-4
	SILVER	GREEN	12V	AV2220E612Q04	5-2213772-3
	GOLD	YELLOW	24V	AV2220E524R04	5-2213772-2
	SILVER	YELLOW	24V	AV2220E524Q04	5-2213772-1
	GOLD	YELLOW	12V	AV2220E512R04	5-2213772-0
	SILVER	YELLOW	12V	AV2220E512Q04	4-2213772-9
GOLD	RED	24V	AV2220E324R04	4-2213772-8	
SILVER	RED	24V	AV2220E324Q04	4-2213772-7	
GOLD	RED	12V	AV2220E312R04	4-2213772-6	
SILVER	RED	12V	AV2220E312Q04	4-2213772-5	
GOLD	WHITE	24V	AV2220E124R04	4-2213772-4	
SILVER	WHITE	24V	AV2220E124Q04	4-2213772-3	
GOLD	WHITE	12V	AV2220E112R04	4-2213772-2	
SILVER	WHITE	12V	AV2220E112Q04	4-2213772-1	

THIS DRAWING IS A CONTROLLED DOCUMENT.		DWN NAGALAKSHMI K 09FEB2016	 TE Connectivity	
DIMENSIONS: mm [INCHES]		CHK HILL RYAN 09FEB2016		
TOLERANCES UNLESS OTHERWISE SPECIFIED:		APVD HILL RYAN 09FEB2016	NAME ANTI-VANDAL SWITCH 22mm MOVING RING LED	
0 PLC ± - 1 PLC ± - 2 PLC ± - 3 PLC ± - 4 PLC ± - ANGLES ± -		PRODUCT SPEC -	DRAWING NO A2 00779 C-2213772	
MATERIAL -		FINISH -	WEIGHT -	RESTRICTED TO -
CUSTOMER DRAWING			SCALE 1:1	SHEET 4 OF 4
			REV B1	

## X-ON Electronics

Largest Supplier of Electrical and Electronic Components

*Click to view similar products for [Pushbutton Switches](#) category:*

*Click to view products by [TE Connectivity](#) manufacturer:*

Other Similar products are found below :

[8940K2012](#) [LW1L-M1C10V-A](#) [LW1L-M1C70-A](#) [LW2L-A1C20M-GD](#) [LW2L-M1C20M-A](#) [60324L](#) [M22-D-R-GB0/K11](#) [M7E-HRN2](#)  
[67021K512](#) [67081K512X](#) [701PB580](#) [7199K101](#) [810K12910](#) [810KSV30B](#) [MML21EA2ADK](#) [MML21KA3ABK](#) [MML23KA3AC05K-001](#)  
[MML23KW3AA01W](#) [8418K2](#) [8442K3](#) [8450K1](#) [860K11911T01A](#) [861901](#) [861K11911T01A07](#) [861K13810T00A14](#) [861K13911](#)  
[8646AB6X718UL](#) [8646ABUL](#) [9001KXRK](#) [907AYY100](#) [PMHD155A1](#) [9533CD4+U574+U4922](#) [95-414.000](#) [99-450.837](#) [99-453.837](#)  
[PV3H2B0NN-341](#) [1203MRA](#) [A22NZBGANGA](#) [A22NZBNANGA](#) [A22NZMPATRA](#) [A2PMA1X03EC56](#) [A3A-5123-02](#) [A3A-7140](#) [A3A-7310](#) [A3A-7340](#) [A3U-TMW-A2C-5M](#) [A595](#) [12037A2ULCSA](#) [ABD122N-B](#) [1211390004](#)