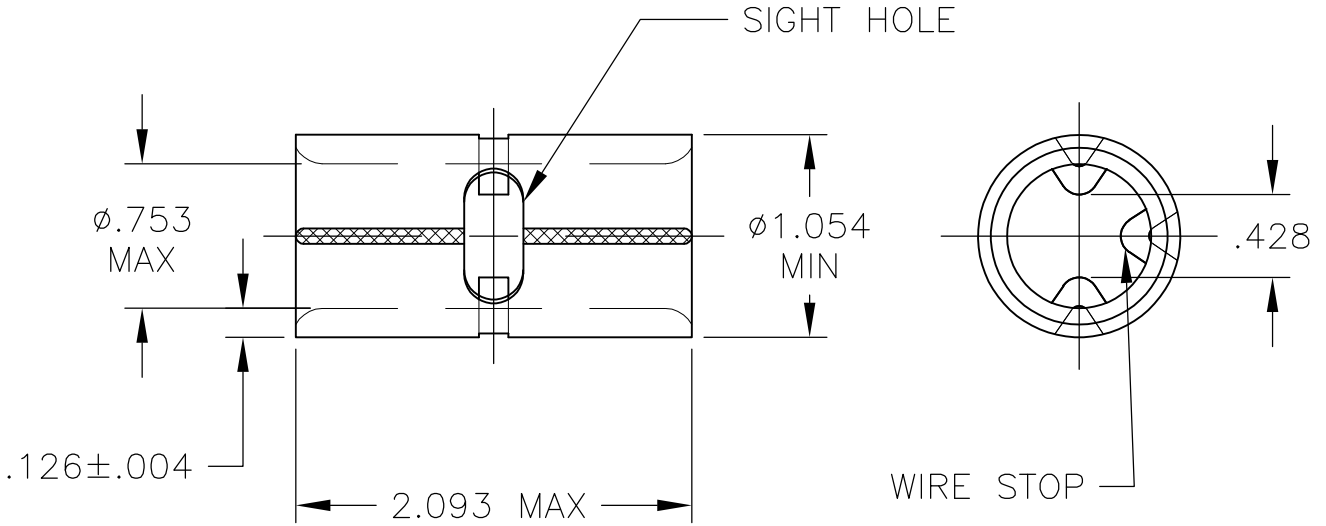


| | | | | | |
|----------|------------|---------------------------|---------|-----|------|
| LOC G | DIST 14 | REVISIONS | | | |
| P | LTR | DESCRIPTION | DATE | DWN | APVD |
| | D1 | REVISED PER ECR-08-022483 | 26SEP08 | HMR | JR |



MATERIAL: COPPER PER ASTM B152, ANNEALED



THIS DRAWING IS UNPUBLISHED.

ALL INTERNATIONAL RIGHTS RESERVED.

BY TYCO ELECTRONICS CORPORATION.

| | |
|--|-----------------------|
| NICKEL (QQ-N-290) .000650 MIN THK | 1-322279-0 |
| TN PL (ASTM-B545)TYPE I | 322279 |
| FINISH | PART NO |

| | | | | | | |
|--|----------------------------|---------|---|-----------|------------|---------------|
| DIMENSIONS: INCHES | DWN RAGHAVENDRA | 26SEP08 | MATERIAL | 1 | FINISH | SEE TABLE |
| | CHK JEFF RUTH | 26SEP08 | Tyco Electronics Corporation Harrisburg, PA 17105-3608 | | | |
| TOLERANCES UNLESS OTHERWISE SPECIFIED: | APVD Michielutti Thomas | 26SEP08 | | | | |
| 0 PLC ± - | PRODUCT SPEC | | NAME WIRE SPLICE SOLISTRAND- BUTT | | | |
| 1 PLC ± - | APPLICATION SPEC | | WIRE SIZE: 250-300 MCM | | | |
| 2 PLC ± - | WEIGHT | | SIZE | CAGE CODE | DRAWING NO | RESTRICTED TO |
| 3 PLC ± .008 | - | | A4 | 00779 | C-322279 | - |
| 4 PLC ± - | - | | CUSTOMER DRAWING | | | |
| ANGLES ± 5' | - | | SCALE | 1:1 | SHEET | 1 OF 1 |
| | | - | | REV D1 | | |

X-ON Electronics

Largest Supplier of Electrical and Electronic Components

Click to view similar products for [Terminals](#) category:

Click to view products by [TE Connectivity](#) manufacturer:

Other Similar products are found below :

[00-054007-01074-6](#) [00-054007-70206-1](#) [00-054007-70210-8](#) [00-054007-70217-7](#) [00-054007-70226-9](#) [00-054007-70228-3](#) [00-054007-70248-1](#) [00-054007-70256-6](#) [00-054007-70301-3](#) [00-054007-70316-7](#) [0-0320562-0](#) [00-054007-49560-4](#) [00-054007-70209-2](#) [00-054007-70225-2](#) [00-054007-70227-6](#) [00-054007-70231-3](#) [00-054007-70241-2](#) [00-054007-70242-9](#) [00-054007-70244-3](#) [00-054007-70246-7](#) [00-054007-70263-4](#) [00-054007-70288-7](#) [00-054007-70290-0](#) [00-054007-70300-6](#) [00-054007-70304-4](#) [01-2065-1-0216](#) [01-2900-1-04412](#) [00581P0075](#) [600TS-10](#) [60205-1](#) [604200-1](#) [605601-1](#) [60598-1-CUT-TAPE](#) [61314-6-C](#) [61810-3](#) [61-S](#) [61-SN](#) [626-0194](#) [62-NBM-A](#) [62-SN](#) [62-SP](#) [63-S](#) [640179-1](#) [M55155/059I03](#) [M55155/079C01](#) [M55155/099H02](#) [M55155/109H01](#) [M55155/109H02](#) [M55155/12XH05](#) [M55155/16XH02](#)