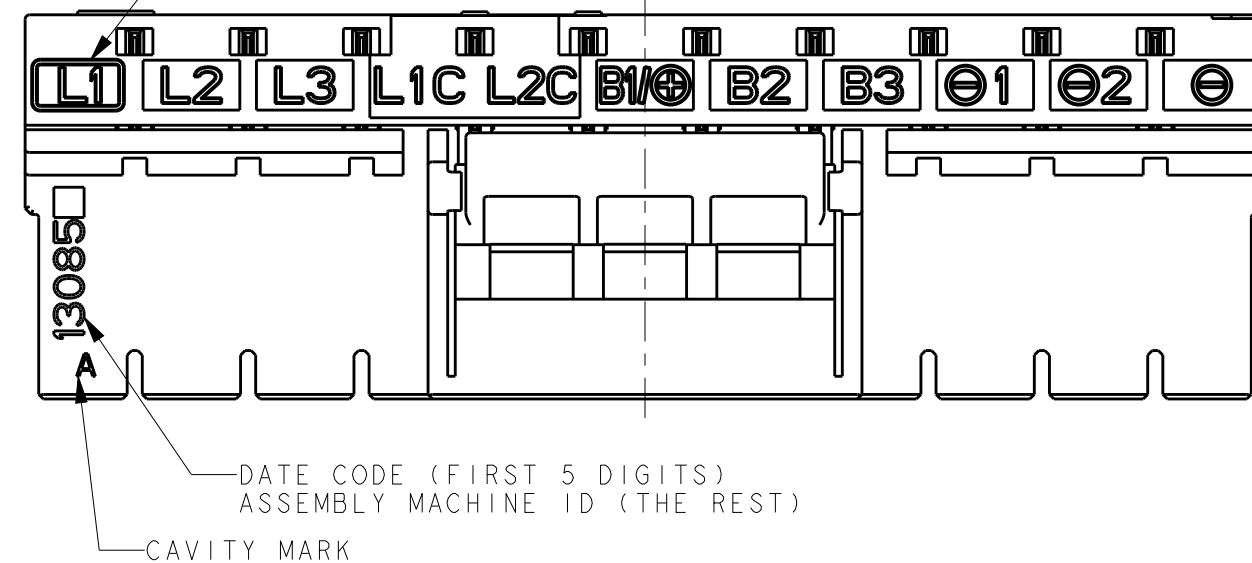
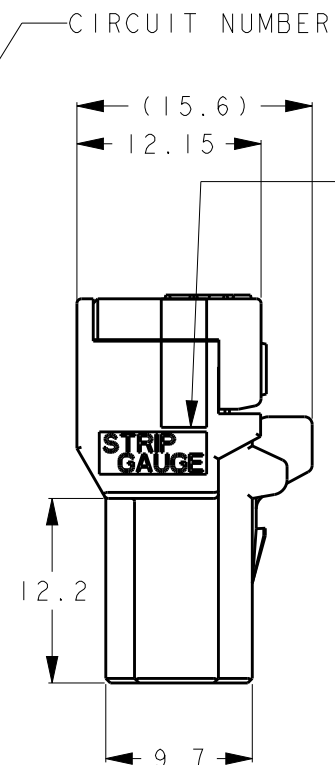
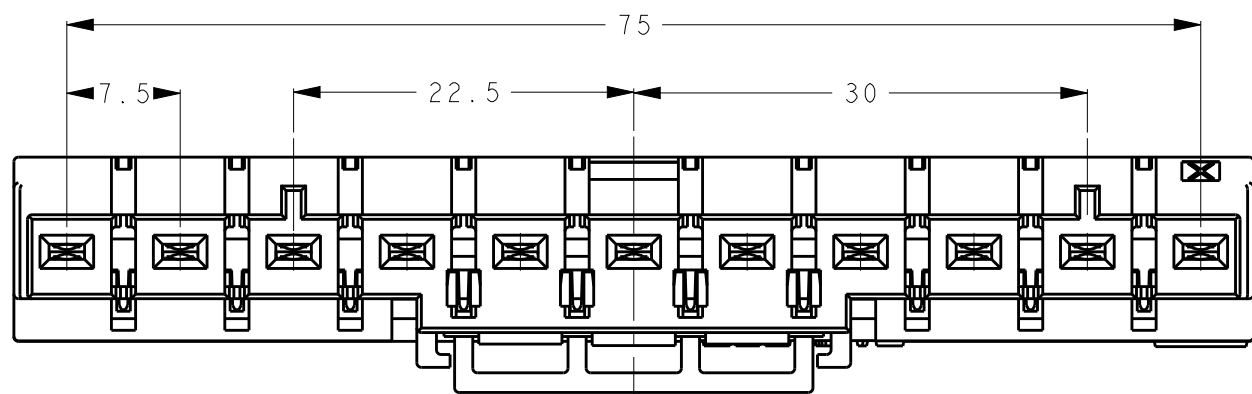
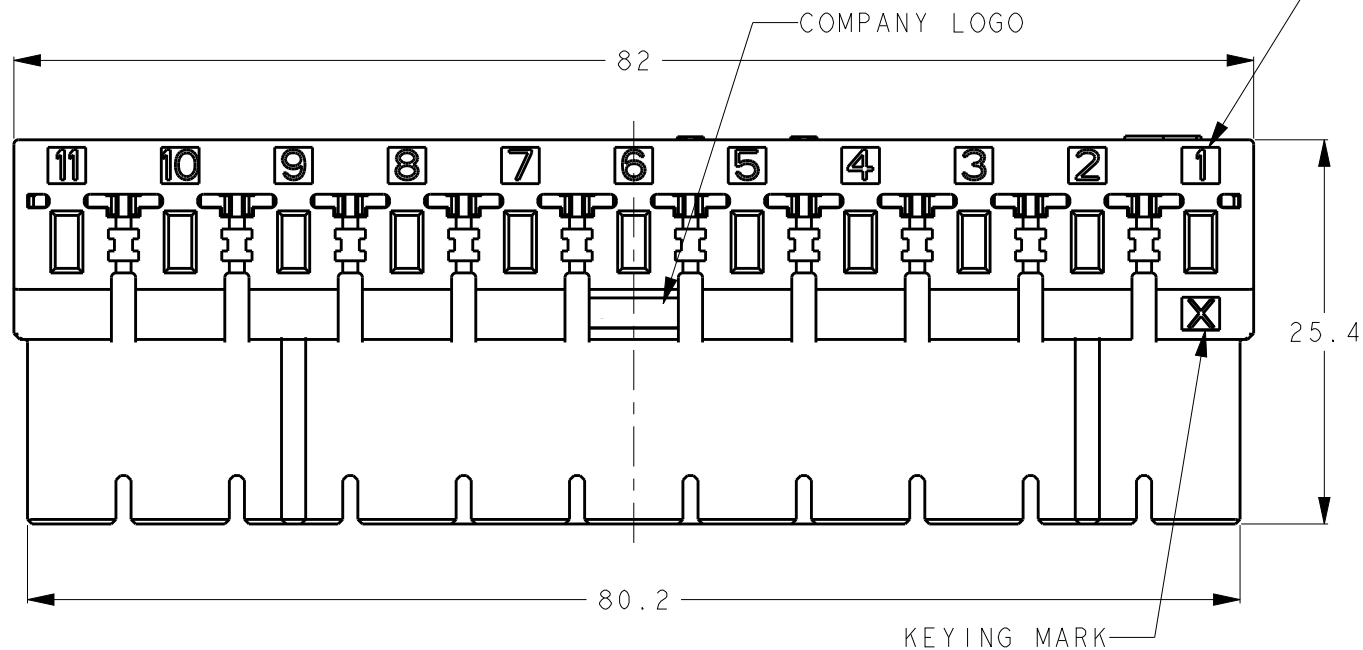
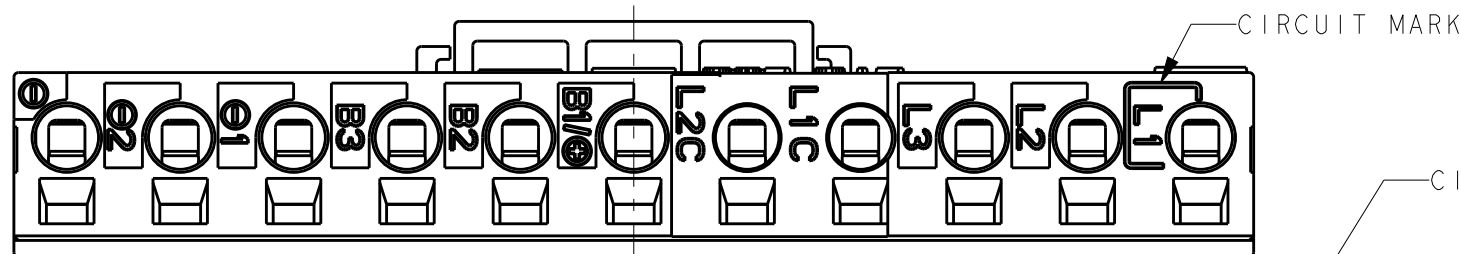


LOC	DIST	REVISIONS					
		P	LTR	DESCRIPTION	DATE	DWN	APVD
J	-		A	REVISED	08NOV2013	Y.O	N.Y
			B	REVISED	12JUN2018	K.T	E.I




- 1 MATERIAL
 HOUSING: THERMO PLASTICS
 CONTACT: COPPER ALLOY
 SPRING: STAINLESS
- 2 PLATING
 CONTACT POINT: UNDER Ni PLATING, OVER Au PLATING.
 WIRE CLAMPING POINT: UNDER Ni PLATING, OVER Tin PLATING.

- 1 材料
 ハウジング: 熱可塑性ポリエステル
 コンタクト(内部): 銅合金
 スプリング(内部): ステンレス
- 2 めっき
 コンタクト接点部: ニッケル下地めっき上に金めっき
 コンタクト電線クランプ部: ニッケル下地めっき上に錫めっき

Y	6	1-2229794-2
X	11	1-2229794-1
X	3	8-2229794-1
X	3	3-2229794-1
キーイング KEYING	極数 POS	型番 PART NUMBER

1-2229794-1 (11 POSN KEYING: X) BLACK

THIS DRAWING IS A CONTROLLED DOCUMENT.		DWN Y. OKADA 20FEB2013	 TE Connectivity	
DIMENSIONS: 単位: 耗 mm		CHK S. YAMADA 20FEB2013		
TOLERANCES UNLESS OTHERWISE SPECIFIED: 一般公差 ±0.3		APVD N. YAMASAKI 20FEB2013	NAME 名称 DYNAMIC D3950 RECEPTACLE ASSEMBLY	
0 PLC ±		PRODUCT SPEC 製品規格 108-78997	SIZE A300779	
1 PLC ±0.5		APPLICATION SPEC 取付適用規格 411-78272	DRAWING NO 番号 C=2229794	
2 PLC ±0.13		WEIGHT -	RESTRICTED TO -	
3 PLC ±0.013		CUSTOMER DRAWING	SCALE 尺度 2:1	
4 PLC ±0.000J			SHEET 1 OF 3	
ANGLES ±5		REV B		
MATERIAL 材料 SEE NOTE		FINISH 仕上 SEE NOTE		

4

3

2

1

THIS DRAWING IS UNPUBLISHED.

RELEASED FOR PUBLICATION

XXXX2011

© COPYRIGHT 2011 BY Tyco Electronics Japan G.K. ALL RIGHTS RESERVED.

LOC
J

DIST
-

REVISIONS
変更

P

LTR

DESCRIPTION

DATE

DWN

APVD

—コンタクト無し
NO CONTACT

1-2229794-2(6POSN KEYING:Y) BLACK

THIS DRAWING IS A CONTROLLED DOCUMENT.

DIMENSIONS:
単位: ㎜

MATERIAL
材料 SEE NOTE

TOLERANCES UNLESS OTHERWISE SPECIFIED:
一般公差 ±0.3
⌀ PLC ±
1 PLC ±0.5
2 PLC ±0.13
3 PLC ±0.013
4 PLC ±0.000J
ANGLES ±5

FINISH
仕上 SEE NOTE

DWN Y.OKADA 20FEB2013

CHK S.YAMADA 20FEB2013

APVD N.YAMASAKI 20FEB2013

PRODUCT SPEC
製品規格 108-78997

APPLICATION SPEC
取付適用規格 411-78272

WEIGHT -

CUSTOMER DRAWING

NAME
名称 DYNAMIC D3950
RECEPTACLE ASSEMBLY

SIZE CAGE CODE DRAWING NO RESTRICTED TO

A300779 C-2229794

SCALE 1:1 SHEET 2 OF 3 REV B

1470-19 (3/11)

THIS DRAWING IS UNPUBLISHED.

RELEASED FOR PUBLICATION

XXXX2011

© COPYRIGHT 2011 BY Tyco Electronics Japan G.K. ALL RIGHTS RESERVED.

LOC
J

DIST
-

REVISIONS
変更

P

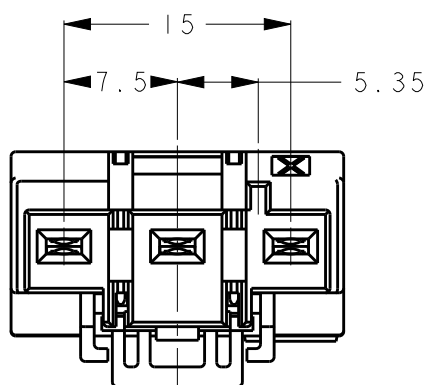
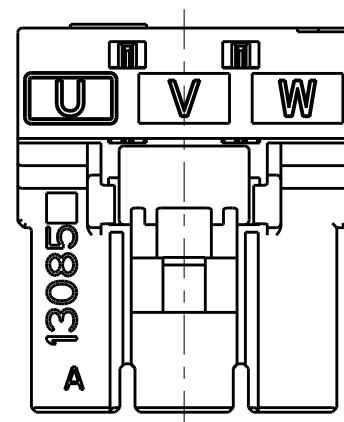
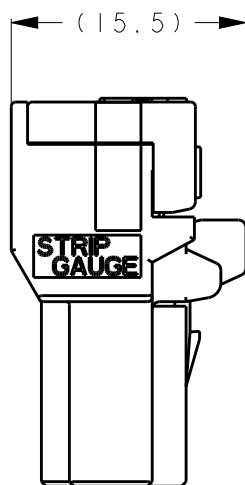
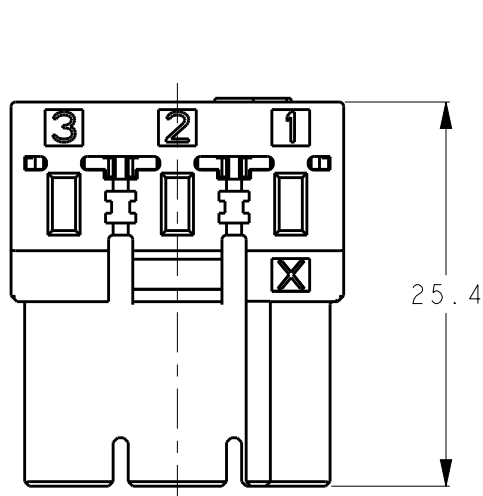
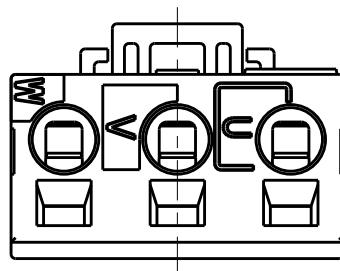
LTR

DESCRIPTION

DATE

DWN

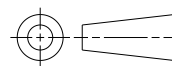
APVD



3-2229794-1 (3極 キーイングX) BLACK
8-2229794-1 (3POSN KEYING:X) WHITE

THIS DRAWING IS A CONTROLLED DOCUMENT.

DIMENSIONS:
単位: 概
mm



TOLERANCES UNLESS OTHERWISE SPECIFIED:

- 一般公差 ±0.3
- φ PLC ±
- 1 PLC ±0.5
- 2 PLC ±0.13
- 3 PLC ±0.013
- 4 PLC ±0.0001
- ANGLES ±5

MATERIAL 材料 SEE NOTE

FINISH 仕上 SEE NOTE

DWN Y. OKADA 20FEB2013

CHK S. YAMADA 20FEB2013

APVD N. YAMASAKI 20FEB2013

PRODUCT SPEC 製品規格 108-78997

APPLICATION SPEC 取付適用規格 411-78272

WEIGHT -

CUSTOMER DRAWING



NAME 名称

DYNAMIC D3950 RECEPTACLE ASSEMBLY

SIZE

CAGE CODE

DRAWING NO 番号

RESTRICTED TO

A300779 C-2229794

SCALE 尺度 2:1

SHEET 3 OF 3

REV B

X-ON Electronics

Largest Supplier of Electrical and Electronic Components

Click to view similar products for [Headers & Wire Housings](#) category:

Click to view products by [TE Connectivity](#) manufacturer:

Other Similar products are found below :

[95000-104TRLF](#) [10135584-644402LF](#) [DF62W-EP2022PCA](#) [95000-106TRLF](#) [DF62W-2022SCA](#) [DF62W-EP2022PC](#) [2203348](#) [DF62W-2022SC](#) [1084018](#) [1029039](#) [1084017](#) [802-10-012-10-002000](#) [1112640](#) [1112639](#) [891-007-9SS-BST1T](#) [000-34000](#) [0008550134](#) [0009482033](#) [0009507031](#) [57102-F02-18ULF](#) [57102-S06-03LF](#) [57202-S52-04LF](#) [PCN6-15S-2.5E](#) [0039019024](#) [58102-G61-06LF](#) [582553-1](#) [0009485154](#) [0009508121](#) [0022285053](#) [0050291907](#) [018731A](#) [LY20-4P-DT1-P1E-BR](#) [02.125.8002.8](#) [60101931](#) [60598-1 \(Cut Strip\)](#) [M1625-3R/100](#) [61062-3](#) [61082-181009](#) [CSU011177004](#) [636-1427](#) [638009-1](#) [641938-9](#) [641991-4](#) [644168-1](#) [644827-2](#) [647662-1](#) [65039-019ELF](#) [65692-001LF](#) [65781-018](#) [65781-047](#)