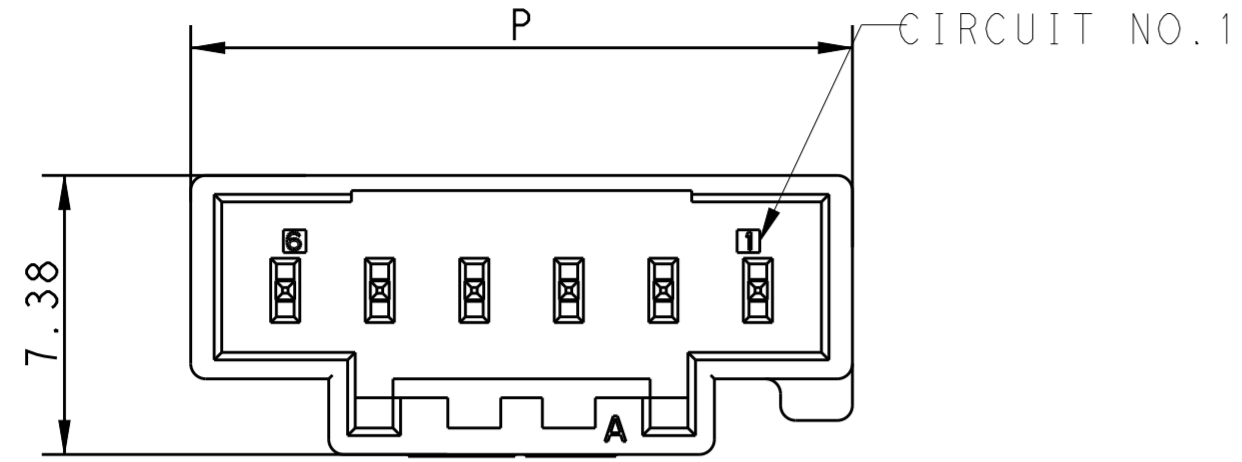


THIS DRAWING IS UNPUBLISHED. RELEASED FOR PUBLICATION  
 © COPYRIGHT BY - TE CONNECTIVITY ALL RIGHTS RESERVED.

LOC		DIST		REVISIONS			
P	LTR	DESCRIPTION	DATE	DWN	APVD		
B		ECR-14-002989	28FEB2014	M.T	D.Z		
B1		ECR-15-013442	15SEP2015	A.Q	D.Z		

6Pos header housing assembly



NOTES:

- 1.GENERAL TOLERANCE:  $\pm 0.3$
- 2.MATERIAL SEE TABLE 1
- 3.MATING CONN. P/N:SEE TABLE(SHEET 3)
- 4 PRELIMINARY-NOT FOR PRODUCTION

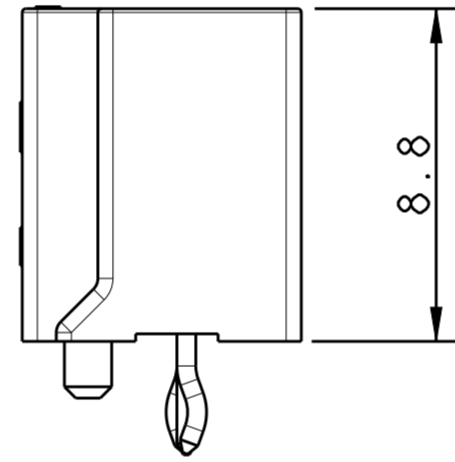
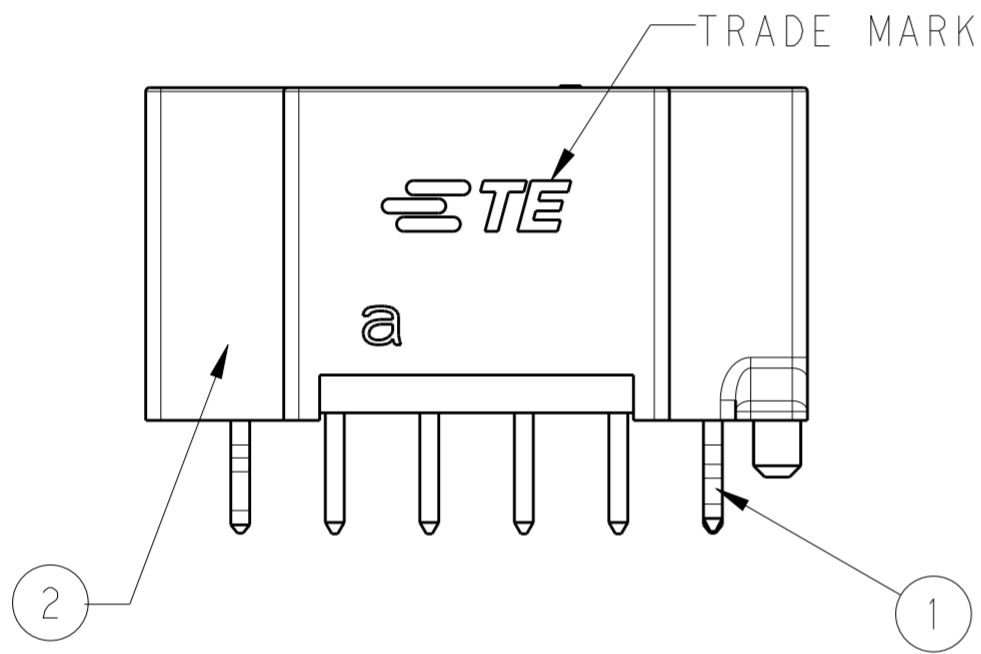
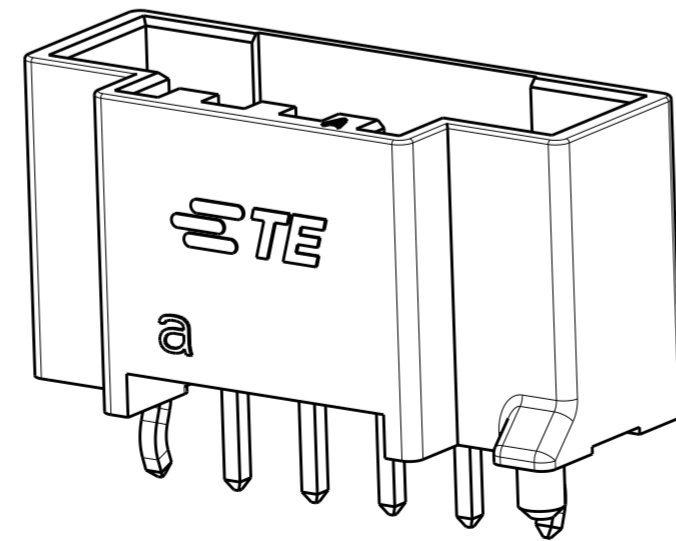
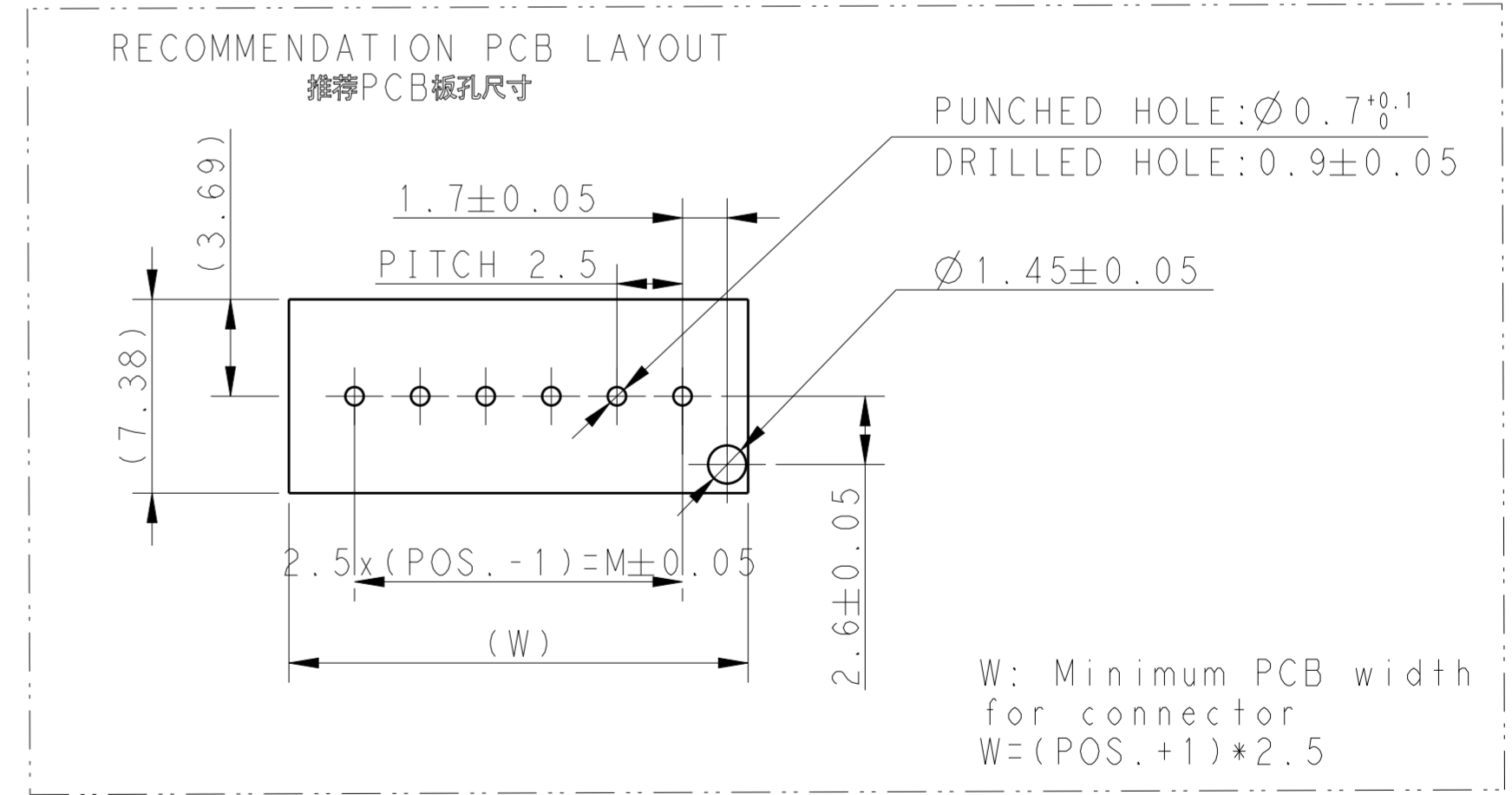
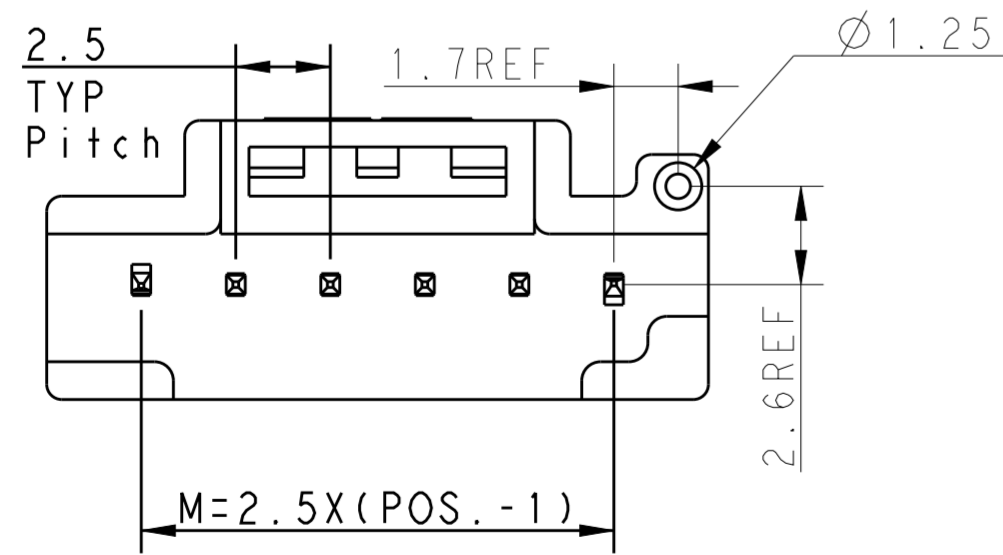


TABLE 1

NO.	PART NAME	MATERIAL
①	POST CONTACT	COPPER ALLOY, TIN PLATING
②	HEADER HOUSING	THERMO PLASTIC UL94 V-0

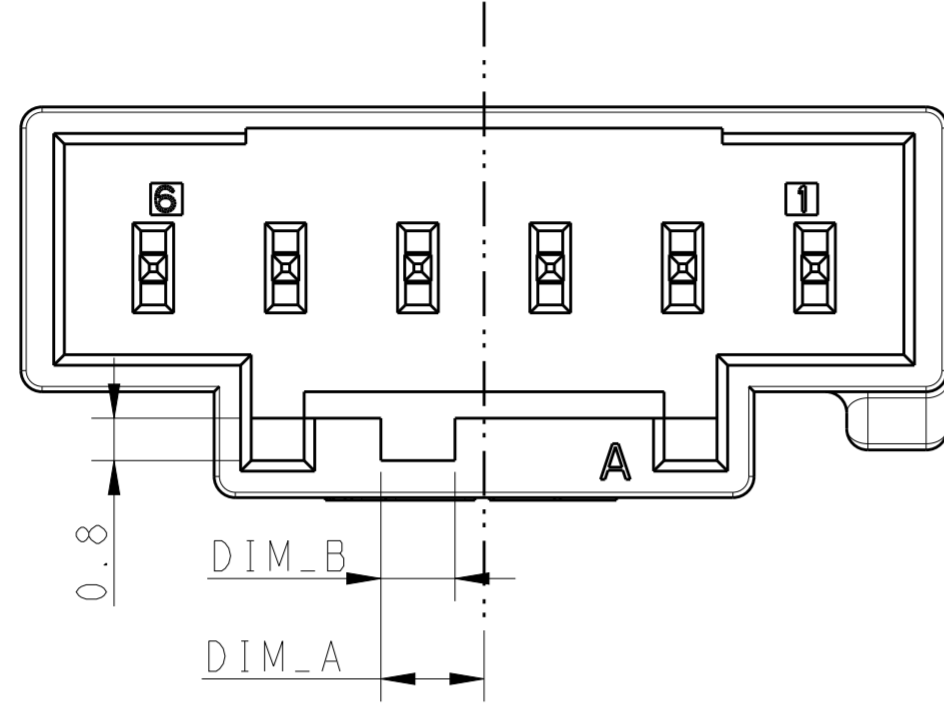


THIS DRAWING IS A CONTROLLED DOCUMENT.		DWN B.P 17JUN2013	TE Connectivity	
		CHK H.J.Z 17JUN2013		
		APVD Y.H.M 17JUN2013	NAME: HEADER ASSY, PITCH 2.5 WITH BOSS D1.25	
DIMENSIONS: mm		PRODUCT SPEC: 108-106077		RESTRICTED TO: -
TOLERANCES UNLESS OTHERWISE SPECIFIED:		APPLICATION SPEC: -		SCALE: / SHEET 1 OF 3
0 PLC ± 0.3		WEIGHT: -		REV B1
1 PLC ± 0.3		SIZE: A2		
2 PLC ± 0.13		CAGE CODE: -		
3 PLC ± 0.013		DRAWING NO: 2232501		
4 PLC ± 0.0001		CUSTOMER DRAWING		
ANGLES ± -		FINISH		

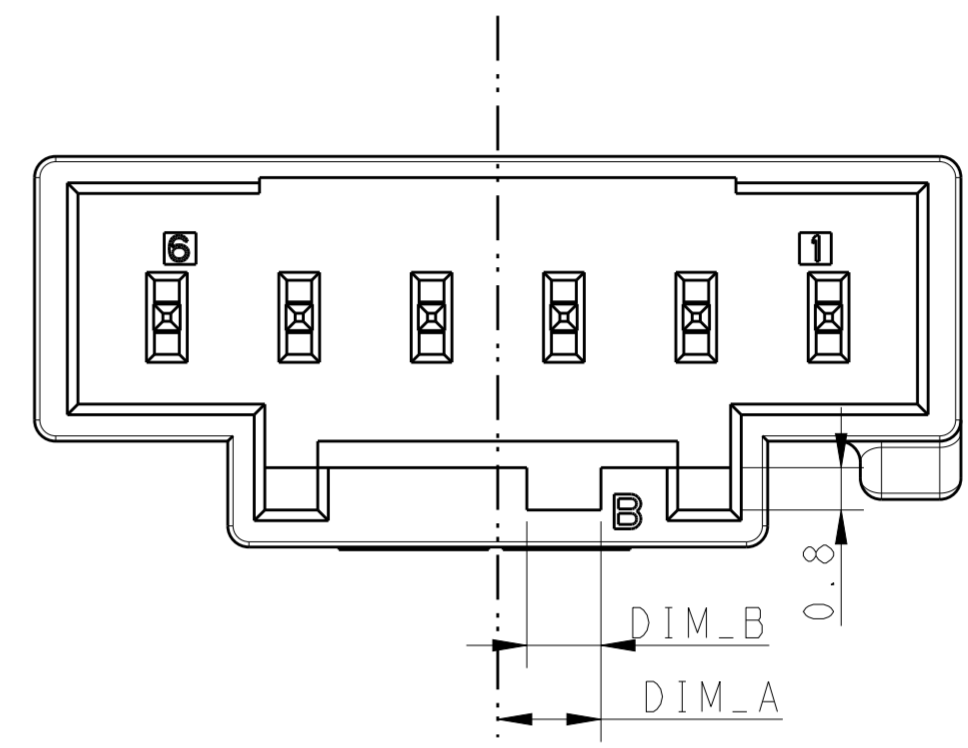
THIS DRAWING IS UNPUBLISHED. RELEASED FOR PUBLICATION  
 © COPYRIGHT BY - TE CONNECTIVITY ALL RIGHTS RESERVED.

LOC	DIST	P	LTR	REVISIONS	DESCRIPTION	DATE	DWN	APVD
-	-	-	-	-	SEE SHEET 1	-	-	-

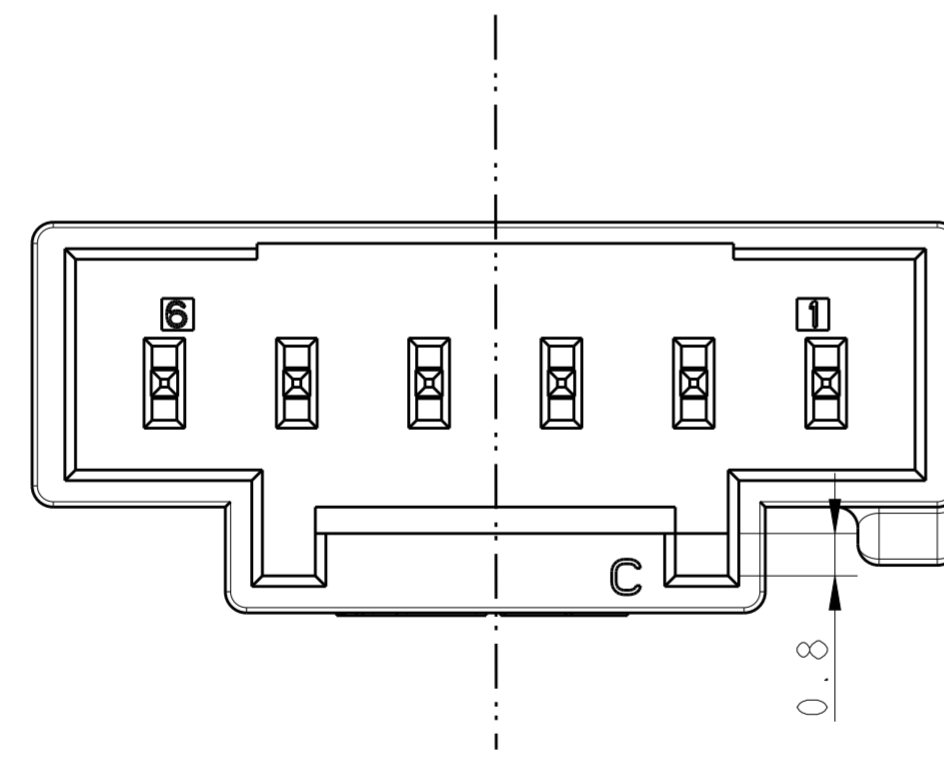
KEYING - A



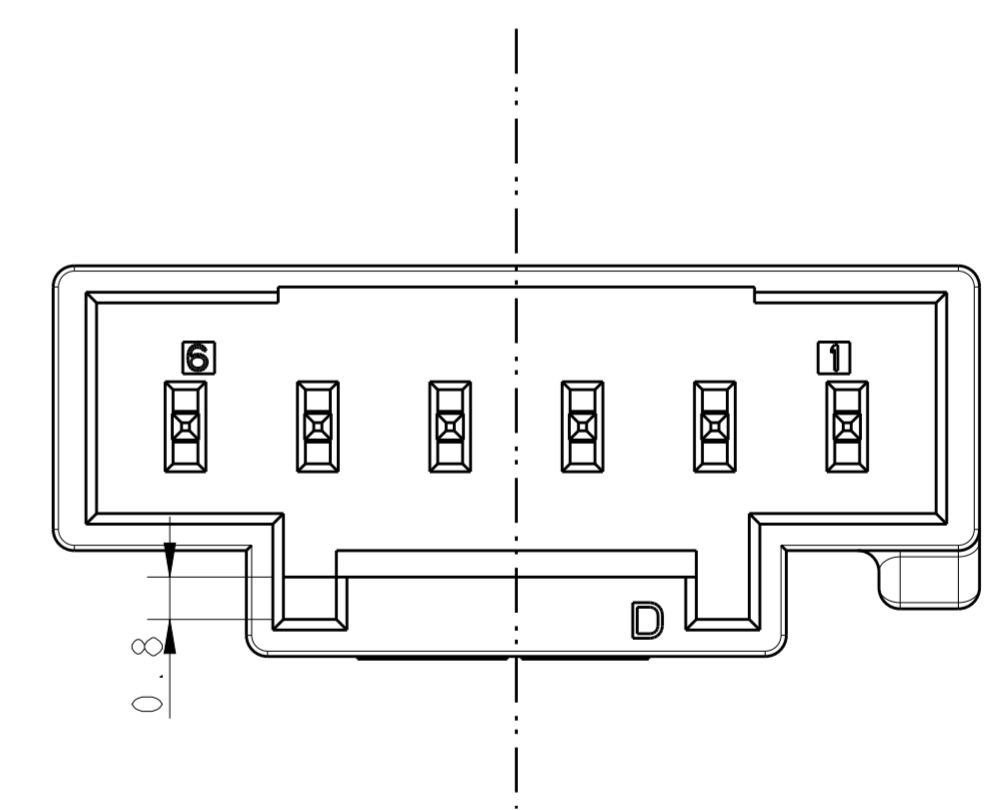
KEYING - B



KEYING - C



KEYING - D



DIMENSION MATRIX FOR KEYING

1.4	2.4	8P
1.4	2.4	7P
1.4	1.95	6P
1.4	1.95	5P
1.4	1.6	4P
1.4	1.3	3P
1.25	1.05	2P
DIM_B	DIM_A	POS.


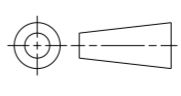
THIS DRAWING IS A CONTROLLED DOCUMENT.

DWN	B.P	17JUN2013	 TE Connectivity
CHK	H.J.Z	17JUN2013	
APVD	Y.H.M	17JUN2013	
NAME	HEADER ASSY, PITCH 2.5 WITH BOSS D1.25		
PRODUCT SPEC	108-106077		NEXT GENERATION GRACE INERTIA CONNETOR
APPLICATION SPEC	-		SIZE CAGE CODE DRAWING NO A2 - C-2232501
MATERIAL	-		RESTRICTED TO
WEIGHT	-		SCALE / SHEET 2 OF 3 REV B1
Customer Drawing			

THIS DRAWING IS UNPUBLISHED. RELEASED FOR PUBLICATION  
 © COPYRIGHT BY - TE CONNECTIVITY ALL RIGHTS RESERVED.

LOC		DIST		REVISIONS			
P	LTR	DESCRIPTION	DATE	DWN	APVD		
-	-	SEE SHEET 1	-	-	-		

8-1971793-5	22.5	17.5	8	BLACK	D	8-2232501-5
8-1971793-4				YELLOW	D	8-2232501-4
8-1971793-3				RED	C	8-2232501-3
8-1971793-2				BLUE	B	8-2232501-2
8-1971793-1				NATURAL	A	8-2232501-1
7-1971793-5	20.0	15.0	7	BLACK	D	7-2232501-5
7-1971793-4				YELLOW	D	7-2232501-4
7-1971793-3				RED	C	7-2232501-3
7-1971793-2				BLUE	B	7-2232501-2
7-1971793-1				NATURAL	A	7-2232501-1
6-1971793-5	17.5	12.5	6	BLACK	D	6-2232501-5
6-1971793-4				YELLOW	D	6-2232501-4
6-1971793-3				RED	C	6-2232501-3
6-1971793-2				BLUE	B	6-2232501-2
6-1971793-1				NATURAL	A	6-2232501-1
5-1971793-5	15.0	10.0	5	BLACK	D	5-2232501-5
5-1971793-4				YELLOW	D	5-2232501-4
5-1971793-3				RED	C	5-2232501-3
5-1971793-2				BLUE	B	5-2232501-2
5-1971793-1				NATURAL	A	5-2232501-1
4-1971793-5	12.5	7.5	4	BLACK	D	4-2232501-5
4-1971793-4				YELLOW	D	4-2232501-4
4-1971793-3				RED	C	4-2232501-3
4-1971793-2				BLUE	B	4-2232501-2
4-1971793-1				NATURAL	A	4-2232501-1
3-2232844-5	10.0	5	3	BLACK	D	3-2232501-5
3-1971793-5				YELLOW	D	3-2232501-4
3-2232844-4				RED	C	3-2232501-3
3-1971793-4				BLUE	B	3-2232501-2
3-2232844-3				NATURAL	A	3-2232501-1
3-1971793-3				BLACK	D	3-2232501-5
3-2232844-2				YELLOW	D	3-2232501-4
3-1971793-2				RED	C	3-2232501-3
3-2232844-1				BLUE	B	3-2232501-2
3-1971793-1	NATURAL	A	3-2232501-1			
2-2232844-5	7.5	2.5	2	BLACK	D	2-2232501-5
2-2232844-4				YELLOW	D	2-2232501-4
2-2232844-3				RED	C	2-2232501-3
2-2232844-2				BLUE	B	2-2232501-2
2-2232844-1				NATURAL	A	2-2232501-1
MATING CONN P/N	P	M	Pos.	COLOR	KEYING	HEAD ASS P/N

THIS DRAWING IS A CONTROLLED DOCUMENT.		DWN	B.P.	17JUN2013	 TE Connectivity
DIMENSIONS: mm		CHK	H.J.Z	17JUN2013	
TOLERANCES UNLESS OTHERWISE SPECIFIED		APVD	Y.H.M	17JUN2013	
 0 PLC ± 0.3 1 PLC ± 0.3 2 PLC ± 0.3 3 PLC ± 0.01 4 PLC ± 0.001 ANGLES ± - FINISH ± -		PRODUCT SPEC	108-106077	NAME	
MATERIAL	-	APPLICATION SPEC	-	SIZE	A2
Customer Drawing		WEIGHT	-	CAGE CODE	-
SCALE / SHEET 3 OF 3		DRAWING NO	2232501	RESTRICTED TO	-
		REV	B1		

## X-ON Electronics

Largest Supplier of Electrical and Electronic Components

*Click to view similar products for [Hard Metric Connectors](#) category:*

*Click to view products by [TE Connectivity](#) manufacturer:*

Other Similar products are found below :

[10146110-VR5C](#) [6345127-1](#) [646916-9](#) [6469658-1](#) [853016](#) [973108](#) [1-2000713-0](#) [1-2000713-2](#) [1-2000713-3](#) [120646-1](#) [134187](#) [1645343-1](#)  
[1645456-1](#) [1645564-3](#) [1645594-1](#) [1645601-1](#) [1934822-1](#) [2000829-2](#) [2000985-2](#) [223085-1](#) [278071110010833](#) [1645179-1](#) [1645245-1](#)  
[1645457-1](#) [1645525-1](#) [1645570-1](#) [1645596-1](#) [17-8072-125-000-863+](#) [1857470-1](#) [1934275-1](#) [1934289-1](#) [1934759-1](#) [2000670-2](#) [2000673-1](#)  
[2000843-2](#) [2000984-2](#) [204975](#) [2170292-2](#) [2-536642-6](#) [3-100668-0](#) [3-106015-1](#) [352188-1](#) [352629-1](#) [3-646346-0](#) [3-646356-0](#) [3-646457-0](#) [3-646529-0](#) [3-646530-0](#) [5120823-1](#) [5120899-1](#)