

THIS DRAWING IS UNPUBLISHED.

RELEASED FOR PUBLICATION

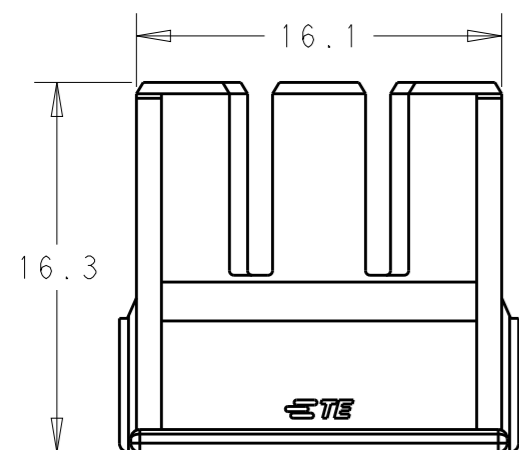
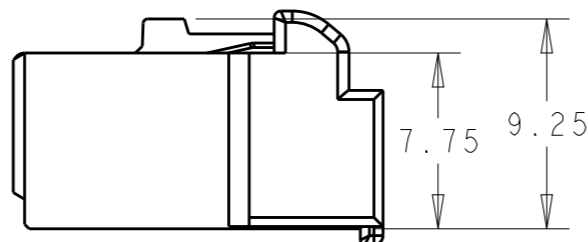
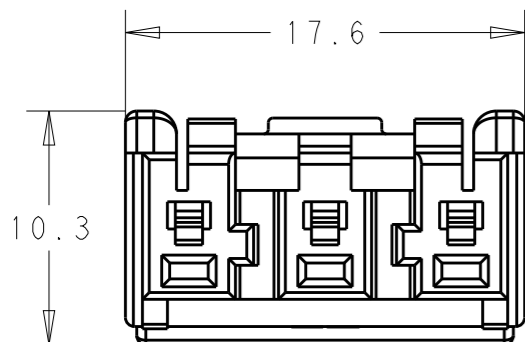
20

© COPYRIGHT 20 BY -

ALL RIGHTS RESERVED.

| LOC | DIST | REVISIONS   |                |            |         |
|-----|------|-------------|----------------|------------|---------|
| P   | LTR  | DESCRIPTION | DATE           | DWN        | APVD    |
| -   | -    | A           | FORMAL RELEASE | 30JULY2015 | A.Q D.Z |

3-2232875-1 AS SHOWN



|  |  |
|--|--|
|  |  |
|  |  |

| POSITON | P/N         | KEYING TYPE | MATING REC P/N     | MATING HEAD ASS P/N |
|---------|-------------|-------------|--------------------|---------------------|
| 2P      | 2-2232875-1 | TYPE A      | 1376348<br>1376347 | 2-2232876-1         |
| 2P      | 2-2232875-2 | TYPE B      |                    | 2-2232876-2         |
| 2P      | 2-2232875-3 | TYPE C      |                    | 2-2232876-3         |
| 2P      | 2-2232875-4 | TYPE D      |                    | 2-2232876-4         |
| 3P      | 3-2232875-1 | TYPE A      |                    | 3-2232876-1         |
| 3P      | 3-2232875-2 | TYPE B      |                    | 3-2232876-2         |
| 3P      | 3-2232875-3 | TYPE C      |                    | 3-2232876-3         |
| 3P      | 3-2232875-4 | TYPE D      |                    | 3-2232876-4         |

NOTES:

1 NYLON UL94 V-0. COLOR: NATRUAL.

2 KEYING FEATURE SEE SHEET 1 TABLE 1 & SHEET 2 TABLE 3; P/N SEE SHEET 1 TABLE 2.

|  |  |                                |  |                         |
|--|--|--------------------------------|--|-------------------------|
| THIS DRAWING IS A CONTROLLED DOCUMENT.                                   |  | DWN 30JUL2015<br>ANNIE QIAN    | TE Connectivity  |                         |
| DIMENSIONS: mm   |  | CHK 30JUL2015<br>ANNIE QIAN    |  |                         |
| TOLERANCES UNLESS OTHERWISE SPECIFIED:                                   |  | APVD 30JUL2015<br>DANIEL ZHANG | NAME<br>GRACE INERTIA CONNECTOR<br>6.0MM PITCH PLUG HOUSING<br>FOR 2POS. AND 3POS. |                         |
| 0 PLC ±-<br>1 PLC ±-<br>2 PLC ±0.13<br>3 PLC ±-<br>4 PLC ±-<br>ANGLES ±1 |  | PRODUCT SPEC<br>108-106193     | SIZE<br>A3   | RESTRICTED TO<br>-      |
| MATERIAL   |  | APPLICATION SPEC<br>114-5292   | CAGE CODE<br>-   | DRAWING NO<br>C-2232875 |
| FINISH   |  | WEIGHT<br>-                    | SCALE<br>N/A   | SHEET 1 OF 2            |
| 1  |  | CUSTOMER DRAWING               | REV A  |                         |

4

3

2

1

THIS DRAWING IS UNPUBLISHED.

RELEASED FOR PUBLICATION

20

© COPYRIGHT 20

BY -

ALL RIGHTS RESERVED.

LOC DIST

REVISIONS

| P | LTR | DESCRIPTION | DATE | DWN | APVD |
|---|-----|-------------|------|-----|------|
| - | -   | SEE SHEET 1 | -    | -   | -    |
|   |     |             |      |     |      |
|   |     |             |      |     |      |

2-2232875-1 AS SHOWN

TABLE 3

| TYPE A |     | TYPE B |     |
|--------|-----|--------|-----|
| 1.5    | 1.5 | 1.5    | 1.5 |
| 3.3    | 3.3 | 3.3    | 3   |
|        |     |        | 4.8 |
| TYPE C |     | TYPE D |     |
| 4.8    | 4.8 | 4.8    | 1.5 |
| 3      | 3   | 3.3    | 3.3 |

NOTES:

1 NYLON UL94 V-0. COLOR: NATRUAL.

THIS DRAWING IS A CONTROLLED DOCUMENT.

DWN 30JUL2015

ANNIE QIAN

CHK 30JUL2015

ANNIE QIAN

APVD 30JUL2015

DANIEL ZHANG

PRODUCT SPEC

108-106193

APPLICATION SPEC

114-5292

WEIGHT -

CUSTOMER DRAWING

TE Connectivity

NAME  
GRACE INERTIA CONNECTOR  
6.0MM PITCH PLUG HOUSING  
FOR 2POS. AND 3POS.

| SIZE | CAGE CODE | DRAWING NO | RESTRICTED TO |
|------|-----------|------------|---------------|
| A3   | -         | ©-2232875  | -             |

DIMENSIONS:  
mm

TOLERANCES UNLESS OTHERWISE SPECIFIED:

|        |       |
|--------|-------|
| 0 PLC  | ±-    |
| 1 PLC  | ±-    |
| 2 PLC  | ±0.13 |
| 3 PLC  | ±-    |
| 4 PLC  | ±-    |
| ANGLES | ±1    |

MATERIAL

FINISH

-

SCALE N/A

SHEET 2 OF 2

REV A

1470-19 (3/11)

## X-ON Electronics

Largest Supplier of Electrical and Electronic Components

*Click to view similar products for [Power to the Board](#) category:*

*Click to view products by [TE Connectivity](#) manufacturer:*

Other Similar products are found below :

[6450171-4](#) [6450552-7](#) [6600323-8](#) [6643429-1](#) [6646040-2](#) [6651939-1](#) [6766604-1](#) [120959-1](#) [1393557-2](#) [1393532-2](#) [1393532-3](#) [1393532-4](#)  
[1393557-1](#) [1600812-5](#) [1-6450861-2](#) [1744132-7](#) [1761122-1](#) [1766250-1](#) [1892109-1](#) [2-6450860-5](#) [2-6450870-0](#) [1-6450161-4](#) [1-6450850-6](#) [1-](#)  
[6450869-6](#) [1645526-2](#) [1-6600130-0](#) [2005243-2](#) [377-0020-11130](#) [TE34-12-16P-F0](#) [51700-10201602AALF](#) [5-6450830-6](#) [5646956-4](#) [377-](#)  
[0080-11131A](#) [4-6450830-9](#) [4-6600333-3](#) [10125416-4050LF](#) [10130248-005LF](#) [6600320-3](#) [3-6450860-5](#) [1888123-2](#) [6450166-1](#) [6643978-1](#)  
[6766605-1](#) [701-15-02109](#) [N11444](#) [6651938-1](#) [6450810-7](#) [46437-1112](#) [1-1589677-8](#) [5646956-5](#)