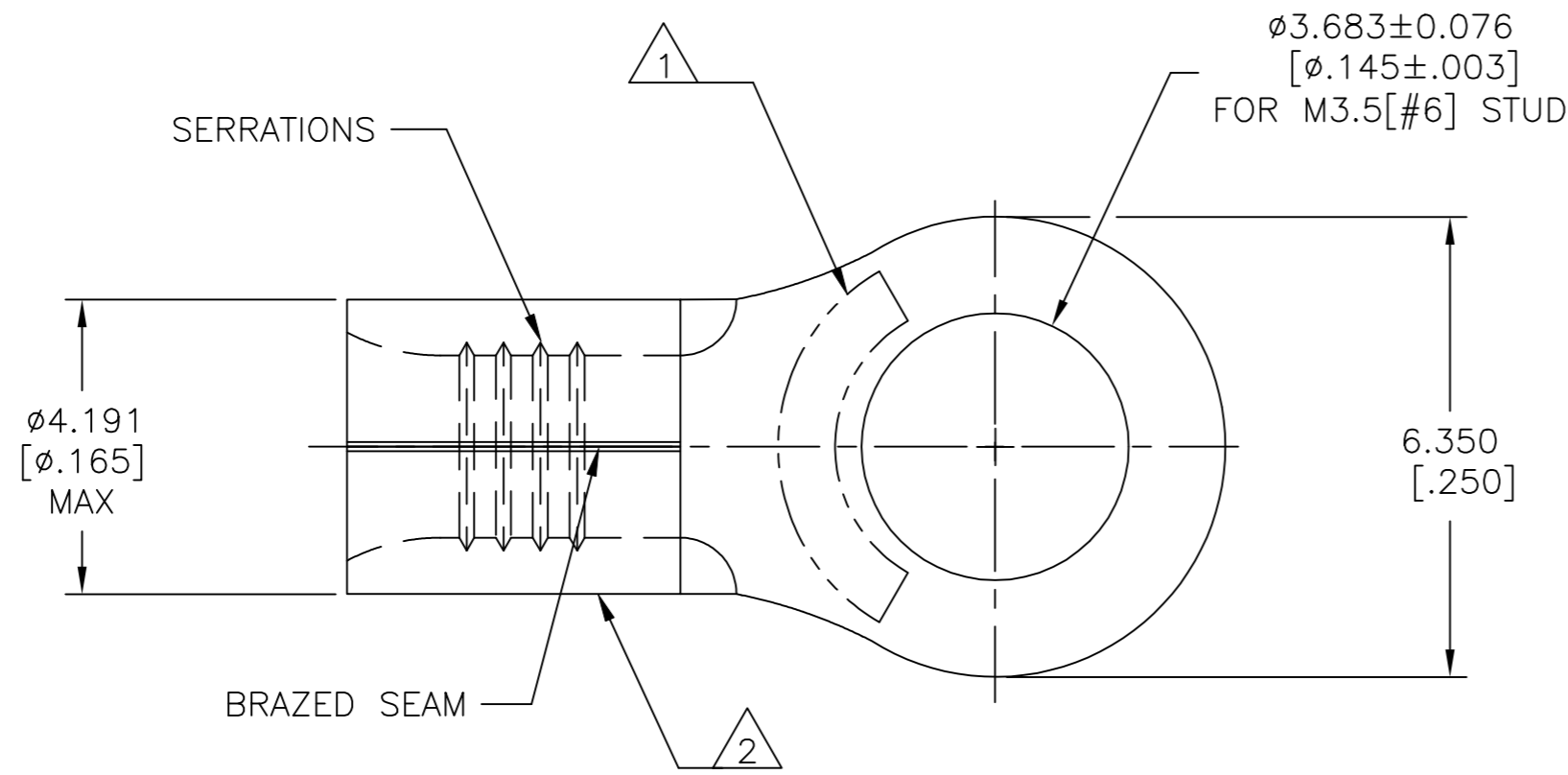


THIS DRAWING IS UNPUBLISHED. RELEASED FOR PUBLICATION  
 © COPYRIGHT - TE Connectivity Ltd. ALL RIGHTS RESERVED.

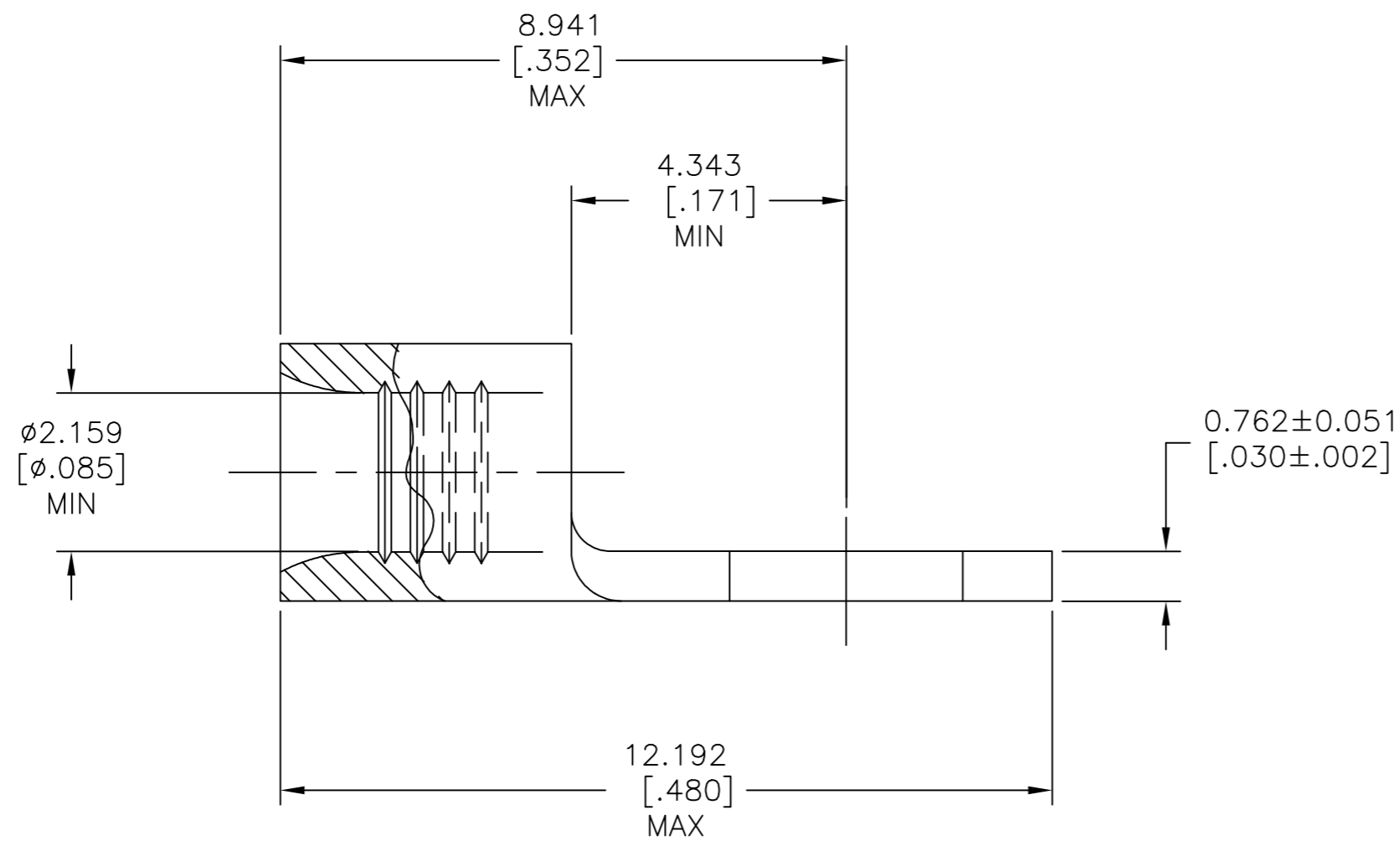
REVISIONS					
P	LTR	DESCRIPTION	DATE	DWN	APVD
	L	REV PER ECR 09-027862	23DEC09	JR	TM
	L1	REVISED PER ECO-17-008808	09MAR2018	RS	DR



**AMP**  
WIRE RANGE

16-14 AWG  
SOLID OR STRANDED

- 1 STAMP AMP 16-14 APPROX AS SHOWN
- 2 WIRE BARREL COLOR CODED ORANGE TO DENOTE NICKEL MATERIAL
- 3 NO COLOR CODING
- 4 NICKEL PER ASTM B162, ANNEALED



5000	ON TAPE	2-322329-2
1000	LOOSE PIECE	2-322329-1
1000	LOOSE PIECE	322329
QTY	PACKAGE TYPE	PART NO.

CUSTOMER SERVICE SYSTEMS		MAX RECOMMENDED OPERATING TEMPERATURE:
FOR ADDITIONAL PRODUCT INFORMATION OR COPIES OF DRAWINGS AND TECHNICAL DOCUMENTS	PRODUCT INFORMATION CENTER 1-800-522-6752	649°C [1200°F]
FOR APPLICATION TOOLING INFORMATION	TOOLING ASSISTANCE CENTER 1-800-722-1111	VOLTAGE RATING: N/A
FOR ORDER ENTRY	1-800-526-5142	CIRCULAR MIL AREA: 1.04-2.62mm <sup>2</sup> [2,050-5,180] SOLID OR STRANDED

THIS DRAWING IS A CONTROLLED DOCUMENT FOR AMP INCORPORATED. IT IS SUBJECT TO CHANGE AND THE CONTROLLING ENGINEERING ORGANIZATION SHOULD BE CONTACTED FOR THE LATEST REVISION.

DIMENSIONS:		TOLERANCES UNLESS OTHERWISE SPECIFIED:	
mm	[INCHES]	0 PLC	$\pm$ -
		1 PLC	$\pm$ -
		2 PLC	$\pm$ -
		3 PLC	$\pm$ 0.127 [.005]
		4 PLC	$\pm$ -
		ANGLES	$\pm$ -
		FINISH	-

DWN	TA BRINKMAN	4-15-93	 TE Connectivity Ltd.
CHK	DA PATTERSON	4-15-93	
APVD	JL MECKLEY	4-15-93	
PRODUCT SPEC			
NAME	TERMINAL, RING TONGUE, HIGH TEMPERATURE, STRATO-THERM™ 16-14 AWG		
SIZE	A2	CAGE CODE	00779
DRAWING NO	C=322329		RESTRICTED TO
WEIGHT	CUSTOMER DRAWING		SCALE 10:1 SHEET 1 of 1 REV L1

## X-ON Electronics

Largest Supplier of Electrical and Electronic Components

*Click to view similar products for [Terminals](#) category:*

*Click to view products by [TE Connectivity](#) manufacturer:*

Other Similar products are found below :

[00-054007-01074-6](#) [00-054007-70206-1](#) [00-054007-70210-8](#) [00-054007-70217-7](#) [00-054007-70226-9](#) [00-054007-70228-3](#) [00-054007-70248-1](#) [00-054007-70256-6](#) [00-054007-70301-3](#) [00-054007-70316-7](#) [00-054007-49560-4](#) [00-054007-70209-2](#) [00-054007-70225-2](#) [00-054007-70227-6](#) [00-054007-70231-3](#) [00-054007-70241-2](#) [00-054007-70242-9](#) [00-054007-70244-3](#) [00-054007-70246-7](#) [00-054007-70263-4](#) [00-054007-70288-7](#) [00-054007-70290-0](#) [00-054007-70300-6](#) [00-054007-70304-4](#) [01-2065-1-0216](#) [01-2900-1-04412](#) [00581P0075](#) [600TS-10](#) [60205-1](#) [604200-1](#) [605601-1](#) [60598-1-CUT-TAPE](#) [61314-6-C](#) [61810-3](#) [61-S](#) [61-SN](#) [626-0194](#) [62-NBM-A](#) [62-SN](#) [62-SP](#) [63-S](#) [640179-1](#) [M55155/059I03](#) [M55155/079C01](#) [M55155/099H02](#) [M55155/109H01](#) [M55155/109H02](#) [M55155/12XH05](#) [M55155/16XH02](#) [M55155/29-5S](#)