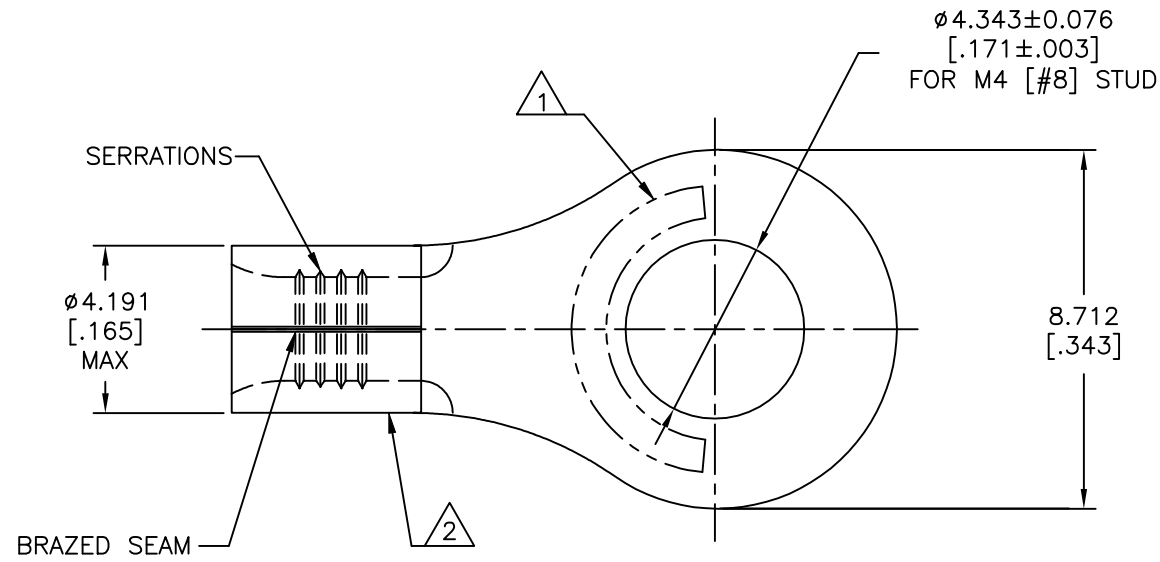


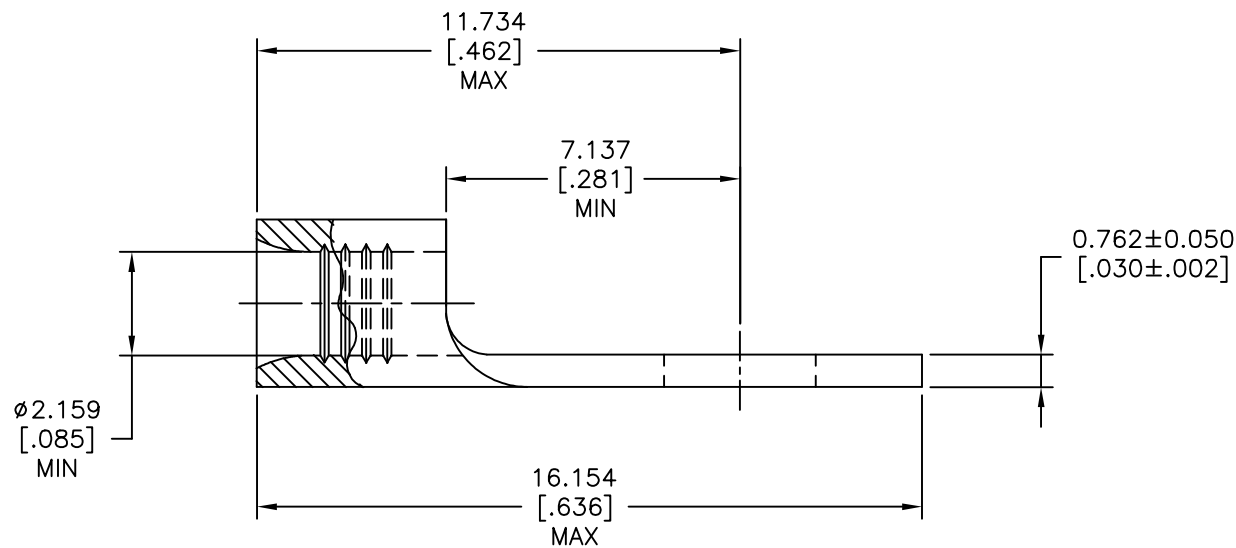
THIS DRAWING IS UNPUBLISHED. RELEASED FOR PUBLICATION
 © COPYRIGHT - By - ALL RIGHTS RESERVED.

REVISIONS				
P	LTR	DESCRIPTION	DATE	APVD
G1		REVISED PER ECO-16-013568	21SEP2016	NK DR
G2		REVISED PER ECO-17-008806	20FEB2018	RS DR



AMP WIRE RANGE	E13288 Listed
16-14 AWG SOLID OR STRANDED	NOT APPLICABLE
LR7189 Certified	MILITARY P/N AND CLASS
NOT APPLICABLE	NOT APPLICABLE

- 1 STAMP AMP 16-14 APPROX AS SHOWN
- 2 WIRE BARREL COLOR CODED ORANGE TO DENOTE NICKEL MATERIAL
- 3 NOTE DELETED



1000	LOOSE PIECE	322334
QTY.	PACKAGE TYPE	PART NUMBER

AMP INCORPORATED CUSTOMER SERVICE SYSTEMS	
FOR ADDITIONAL PRODUCT INFORMATION OR COPIES OF DRAWINGS AND TECHNICAL DOCUMENTS	PRODUCT INFORMATION CENTER 1-800-522-6752
FOR APPLICATION	TOOLING ASSISTANCE CENTER 1-800-722-1111
TOOLING INFORMATION	1-800-722-1111
FOR ORDER ENTRY	1-800-526-5142
MAX RECOMMENDED OPERATING TEMPERATURE: 649°C [1200°F] MAX	
VOLTAGE RATING: NOT APPLICABLE	
WIRE CROSS SECTIONAL AREA RANGE, 1.04-2.62mm² [2,050-5,180] CIR MILS SOLID OR STRANDED	

THIS DRAWING IS A CONTROLLED DOCUMENT.	
DIMENSIONS: mm [INCHES]	TOLERANCES UNLESS OTHERWISE SPECIFIED:
	0 PLC ± -
	1 PLC ± -
	2 PLC ± -
	3 PLC ± .127[.005]
	4 PLC ± -
	ANGLES ± -
MATERIAL: NICKEL PER ASTM B-162 ANNEALED	FINISH: -

DWN: TA BRINKMAN 4-15-93	TE Connectivity Ltd.
CHK: DA PATTERSON 4-15-93	
APVD: DE MILLER 4-15-93	
NAME: DE MILLER	PRODUCT SPEC: -
APPLICATION SPEC: -	WEIGHT: -
SIZE: A2	CAGE CODE: 00779
DRAWING NO: C=322334	RESTRICTED TO: -
CUSTOMER DRAWING	SCALE: 8:1
SHEET: 1 of 1	REV: G2

X-ON Electronics

Largest Supplier of Electrical and Electronic Components

Click to view similar products for [Terminals](#) category:

Click to view products by [TE Connectivity](#) manufacturer:

Other Similar products are found below :

[00-054007-01074-6](#) [00-054007-70206-1](#) [00-054007-70210-8](#) [00-054007-70217-7](#) [00-054007-70226-9](#) [00-054007-70228-3](#) [00-054007-70248-1](#) [00-054007-70256-6](#) [00-054007-70301-3](#) [00-054007-70316-7](#) [00-054007-49560-4](#) [00-054007-70209-2](#) [00-054007-70225-2](#) [00-054007-70227-6](#) [00-054007-70231-3](#) [00-054007-70241-2](#) [00-054007-70242-9](#) [00-054007-70244-3](#) [00-054007-70246-7](#) [00-054007-70263-4](#) [00-054007-70288-7](#) [00-054007-70290-0](#) [00-054007-70300-6](#) [00-054007-70304-4](#) [01-2065-1-0216](#) [01-2900-1-04412](#) [00581P0075](#) [600TS-10](#) [60205-1](#) [604200-1](#) [605601-1](#) [60598-1-CUT-TAPE](#) [61314-6-C](#) [61810-3](#) [61-S](#) [61-SN](#) [626-0194](#) [62-NBM-A](#) [62-SN](#) [62-SP](#) [63-S](#) [640179-1](#) [M55155/059I03](#) [M55155/079C01](#) [M55155/099H02](#) [M55155/109H01](#) [M55155/109H02](#) [M55155/12XH05](#) [M55155/16XH02](#) [M55155/29-5S](#)