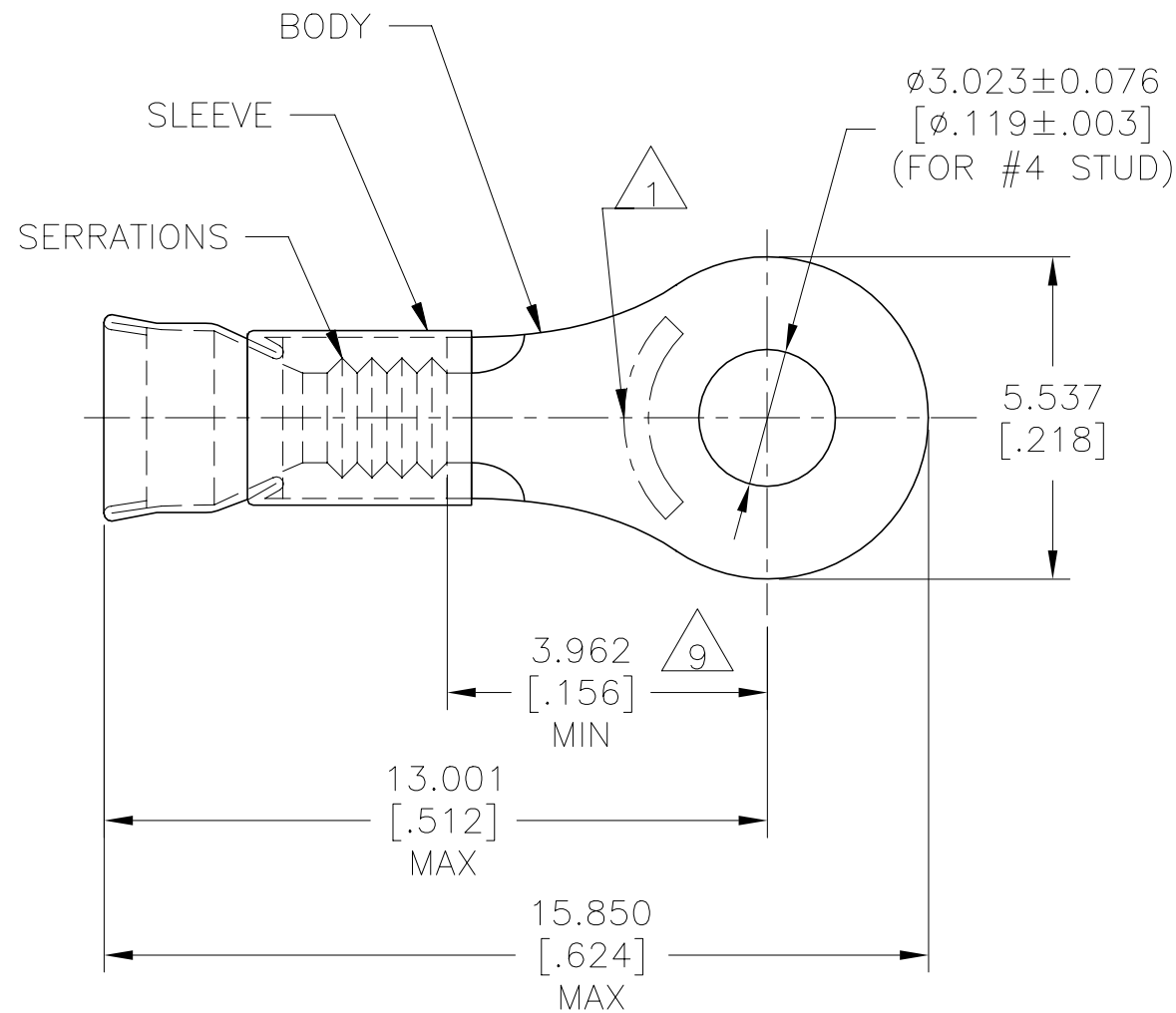


P	LTR	DESCRIPTION	DATE	DWN	APVD
	L	REV PER ECR 09-013993	19JUN09	JR	TM
	L1	REVISED PER ECO-16-017419	14MAR2017	RS	DR
	M	REVISED PER ECO-19-016812	20JUL2020	SG	DR



- 1 STAMP AMP 22-18\* APPROX AS SHOWN  
22-16 TERMINALS ARE STAMPED 22-18 IN  
ACCORDANCE WITH MILITARY SPEC SAE AS7928  
COMMERCIAL WIRE RANGE IS 22-16.
- 2 WIRE INSUL DIA,  $\phi 2.667 - 3.556$  [ $\phi .105 - .140$ ].
- 3 BODY MATL THK,  $0.787 \pm 0.051$  [ $.031 \pm .002$ ].
- 4 BODY, NICKEL-PLATE PER SAE AMS QQ-N-290.  
0.076 [ $.000300$ ] MIN EXT THK.
- 5 FINISH:  
BODY: GOLD PLATE  $0.00127$  [ $.000050$ ] MIN EXT THK PER  
ASTM B488, TYPE I, CODE C OVER NICKEL PLATE  
0.00127 [ $.000050$ ] MIN EXT THK PER SAE AMS QQ-N-290
- 6 MATERIAL: BODY - CU PER ASTM B152  
SLEEVE - NI SILVER PER ASTM B122.
- 7 MATERIAL: BODY & SLEEVE,  
COPPER PER ASTM B152
- 8 FINISH:  
BODY & SLEEVE: GOLD PLATE  $0.00127$  [ $.000050$ ] MIN EXT THK PER  
ASTM B488, TYPE I, CODE C OVER NICKEL PLATE  
0.00127 [ $.000050$ ] MIN EXT THK PER SAE AMS QQ-N-290
- 9 APPLIES FROM EDGE OF METAL WIRE BARREL TO CENTER OF  
STUD HOLE

260°C [500F]	8	7	1000	LOOSE PIECE	322363-2
260°C [500F]	5	6	1000	LOOSE PIECE	322363-1
343°C [649F]	4	6	1000	LOOSE PIECE	322363
MAX TEMP	FINISH	MATERIAL	QTY	PACKAGE TYPE	PART NO

AMP INCORPORATED CUSTOMER SERVICE SYSTEMS		MAX RECOMMENDED OPERATING TEMPERATURE: SEE CHART	THIS DRAWING IS A CONTROLLED DOCUMENT.		DWN L OLMEDA 10OCT94	TE Connectivity				
FOR ADDITIONAL PRODUCT INFORMATION OR COPIES OF DRAWINGS AND TECHNICAL DOCUMENTS	PRODUCT INFORMATION CENTER 1-800-522-6752	VOLTAGE RATING: -	DIMENSIONS: mm [INCHES]	TOLERANCES UNLESS OTHERWISE SPECIFIED:	CHK M ELLIS 10OCT94					NAME
FOR APPLICATION TOOLING INFORMATION	TOOLING ASSISTANCE CENTER 1-800-722-1111	CIRCULAR MIL AREA: 0.26-1.65mm <sup>2</sup> [509-3260] STRANDED		0 PLC ± - 1 PLC ± - 2 PLC ± - 3 PLC ± 0.127[.005] 4 PLC ± - ± - ANGLES ± -	APVD S BORTNER 10OCT94	TERMINAL, RING TONGUE, STRATOTHERM, DIAMOND GRIP, WIRE SIZE: 22-16 AWG				
FOR ORDER ENTRY	1-800-526-5142	THIS DRAWING IS A CONTROLLED DOCUMENT FOR AMP INCORPORATED. IT IS SUBJECT TO CHANGE AND THE CONTROLLING ENGINEERING ORGANIZATION SHOULD BE CONTACTED FOR THE LATEST REVISION.	MATERIAL SEE TABLE	FINISH SEE TABLE	PRODUCT SPEC -	APPLICATION SPEC 114-2162	SIZE A3	CAGE CODE 00779	DRAWING NO C-322363	RESTRICTED TO -
CUSTOMER DRAWING					WEIGHT	SCALE 6:1		SHEET 1 OF 1	REV M	

## X-ON Electronics

Largest Supplier of Electrical and Electronic Components

*Click to view similar products for [Terminals](#) category:*

*Click to view products by [TE Connectivity](#) manufacturer:*

Other Similar products are found below :

[00-054007-01074-6](#) [00-054007-70206-1](#) [00-054007-70210-8](#) [00-054007-70217-7](#) [00-054007-70226-9](#) [00-054007-70228-3](#) [00-054007-70248-1](#) [00-054007-70256-6](#) [00-054007-70301-3](#) [00-054007-70316-7](#) [0-0320562-0](#) [00-054007-49560-4](#) [00-054007-70209-2](#) [00-054007-70225-2](#) [00-054007-70227-6](#) [00-054007-70231-3](#) [00-054007-70241-2](#) [00-054007-70242-9](#) [00-054007-70244-3](#) [00-054007-70246-7](#) [00-054007-70263-4](#) [00-054007-70288-7](#) [00-054007-70290-0](#) [00-054007-70300-6](#) [00-054007-70304-4](#) [01-2065-1-0216](#) [01-2900-1-04412](#) [00581P0075](#) [600TS-10](#) [60205-1](#) [604200-1](#) [605601-1](#) [60598-1-CUT-TAPE](#) [61314-6-C](#) [61810-3](#) [61-S](#) [61-SN](#) [626-0194](#) [62-NBM-A](#) [62-SN](#) [62-SP](#) [63-S](#) [640179-1](#) [M55155/059I03](#) [M55155/079C01](#) [M55155/099H02](#) [M55155/109H01](#) [M55155/109H02](#) [M55155/12XH05](#) [M55155/16XH02](#)