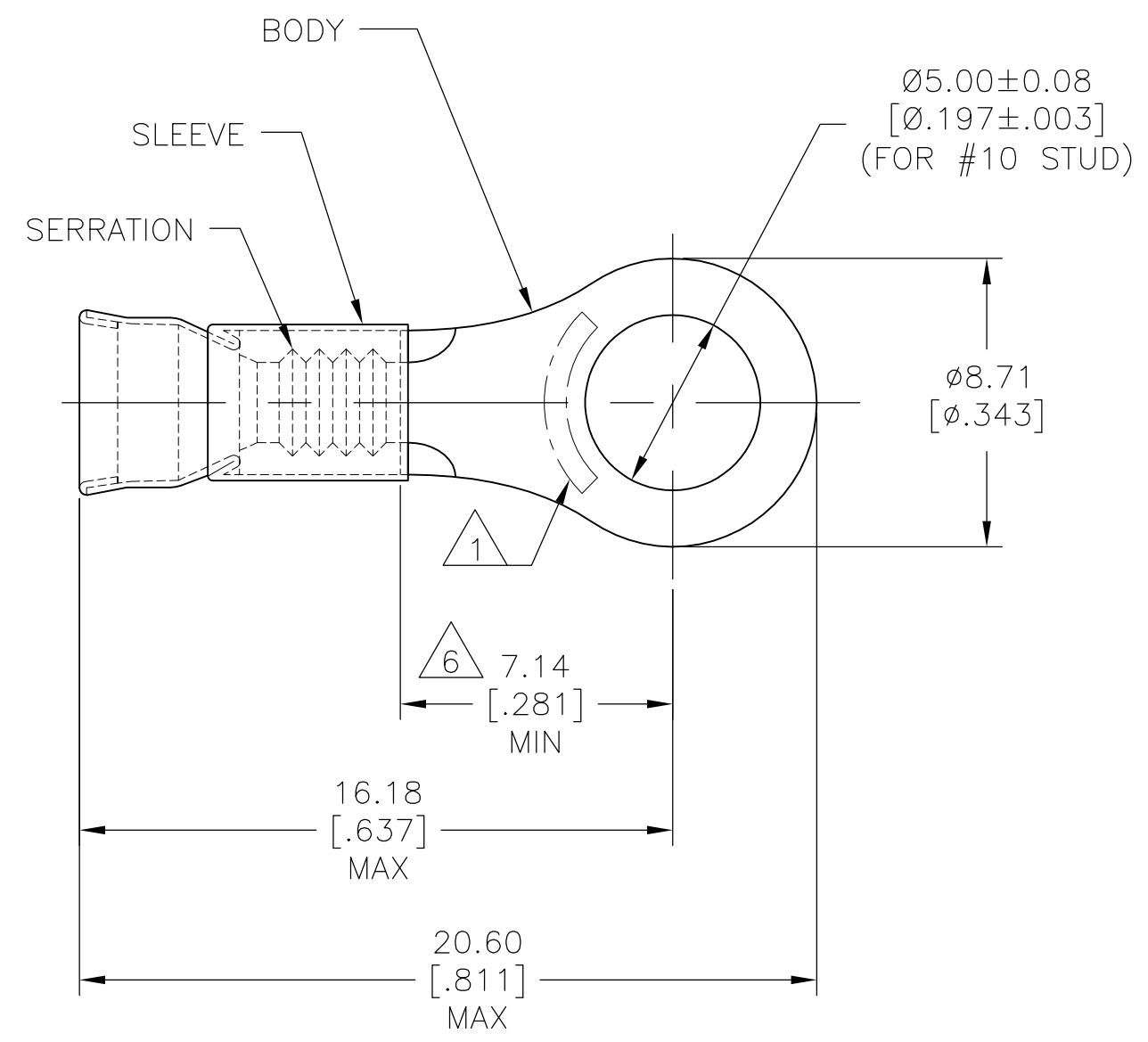


THIS DRAWING IS UNPUBLISHED. RELEASED FOR PUBLICATION
 © COPYRIGHT - By - ALL RIGHTS RESERVED.

REVISIONS					
P	LTR	DESCRIPTION	DATE	DWN	APVD
G1		REVISED PER ECR-16-014800	24OCT2016	RS	DR
G2		REVISED PER ECR-16-016653	02DEC2016	RS	DR



- 1 STAMP AMP 16-14* APPROX AS SHOWN.
- 2. WIRE INSUL DIA, 3.05-4.32[.120-.170]
- 3. TONGUE MATL THK, 0.79±0.05[.031±.002]
- 4. NOTE DELETED.
- 5 PARTS MOUNTED ON TAPE WIRE BARREL FACING DOWN.
- 6 APPLIES FROM EDGE OF METAL WIRE BARREL TO CENTER OF STUD HOLE.

5	5000	ON TAPE, REEL	2-322375-1
	1000	LOOSE PIECE	322375
	QTY	PACKAGE TYPE	PART NO

AMP INCORPORATED
 CUSTOMER SERVICE SYSTEMS

FOR ADDITIONAL PRODUCT INFORMATION OR COPIES OF DRAWINGS AND TECHNICAL DOCUMENTS	PRODUCT INFORMATION CENTER 1-800-522-6752
FOR APPLICATION TOOLING INFORMATION	TOOLING ASSISTANCE CENTER 1-800-722-1111
FOR ORDER ENTRY	1-800-526-5142

MAX RECOMMENDED OPERATING TEMPERATURE: 343°C [650°F]
VOLTAGE RATING: NOT APPLICABLE
CIRCULAR MILL AREA: 1.04mm ² -2.62mm ² [2050-5180] STRANDED WIRE

THIS DRAWING IS A CONTROLLED DOCUMENT.	
DIMENSIONS: mm [INCHES]	TOLERANCES UNLESS OTHERWISE SPECIFIED:
	0 PLC ± -
	1 PLC ± -
	2 PLC ± 0.20 [.008]
	3 PLC ± -
	4 PLC ± -
ANGLES ± -	FINISH
MATERIAL BODY, CU PER ASTM B152 SLEEVE, NI SIL PER ASTM B122	BODY, NP, SAE AMS QQ-N-290

DWN L OLMEDA	10OCT94
CHK M ELLIS	10OCT94
APVD S BORTNER	10OCT94
PRODUCT SPEC	-
APPLICATION SPEC	-
WEIGHT	-

TE Connectivity				NAME			
				TERMINAL, RING TONGUE, STRATOTHERM, DIAMOND GRIP, WIRE SIZE, 16-14 AWG			
SIZE	CAGE CODE	DRAWING NO	RESTRICTED TO				
A3	00779	C-322375	-				
CUSTOMER DRAWING			SCALE	SHEET	REV		
			6:1	1 OF 1	G2		

X-ON Electronics

Largest Supplier of Electrical and Electronic Components

Click to view similar products for [Terminals](#) category:

Click to view products by [TE Connectivity](#) manufacturer:

Other Similar products are found below :

[00-054007-01074-6](#) [00-054007-70206-1](#) [00-054007-70210-8](#) [00-054007-70217-7](#) [00-054007-70226-9](#) [00-054007-70228-3](#) [00-054007-70248-1](#) [00-054007-70256-6](#) [00-054007-70301-3](#) [00-054007-70316-7](#) [00-054007-49560-4](#) [00-054007-70209-2](#) [00-054007-70225-2](#) [00-054007-70227-6](#) [00-054007-70231-3](#) [00-054007-70241-2](#) [00-054007-70242-9](#) [00-054007-70244-3](#) [00-054007-70246-7](#) [00-054007-70263-4](#) [00-054007-70288-7](#) [00-054007-70290-0](#) [00-054007-70300-6](#) [00-054007-70304-4](#) [01-2065-1-0216](#) [01-2900-1-04412](#) [00581P0075](#) [600TS-10](#) [60205-1](#) [604200-1](#) [605601-1](#) [60598-1-CUT-TAPE](#) [61314-6-C](#) [61810-3](#) [61-S](#) [61-SN](#) [626-0194](#) [62-NBM-A](#) [62-SN](#) [62-SP](#) [63-S](#) [640179-1](#) [M55155/059I03](#) [M55155/079C01](#) [M55155/099H02](#) [M55155/109H01](#) [M55155/109H02](#) [M55155/12XH05](#) [M55155/16XH02](#) [M55155/29-5S](#)