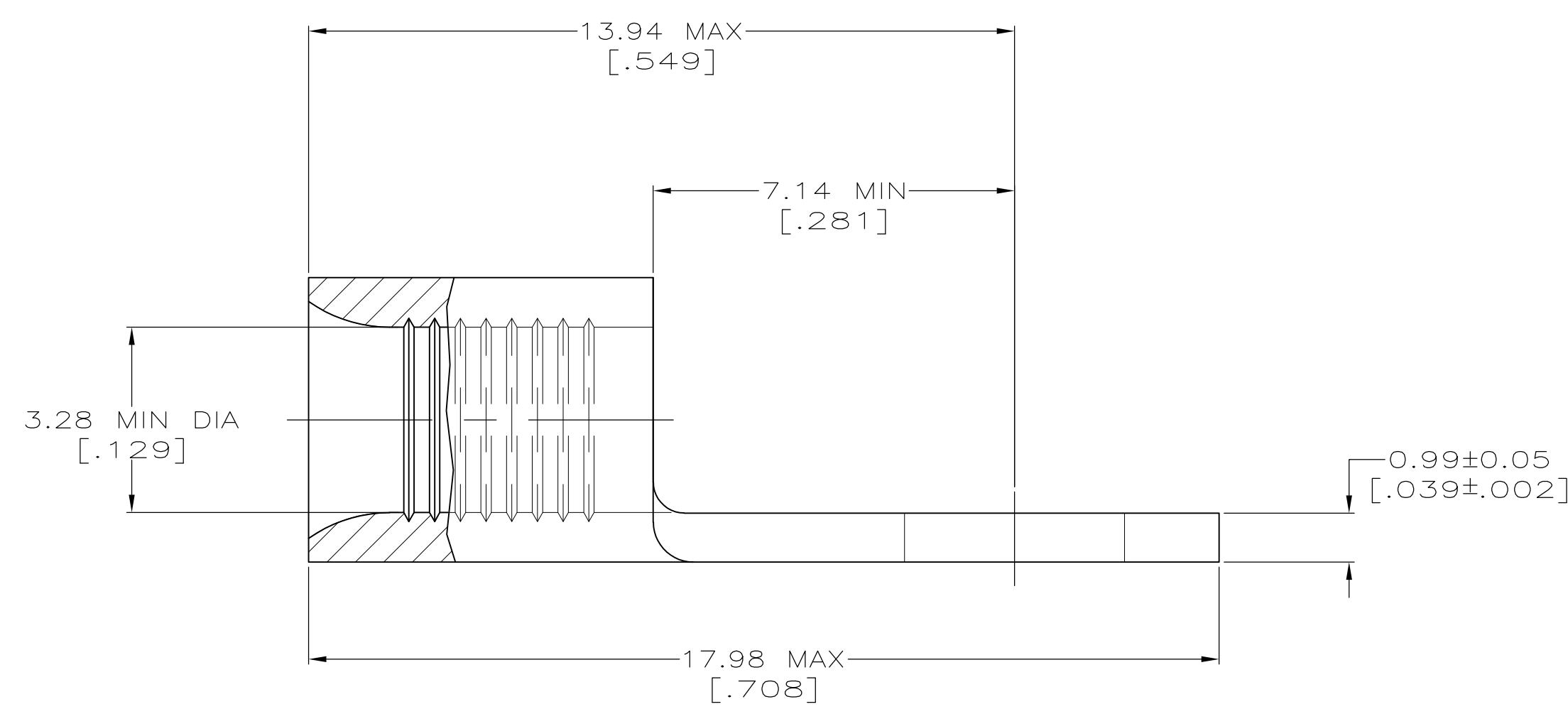
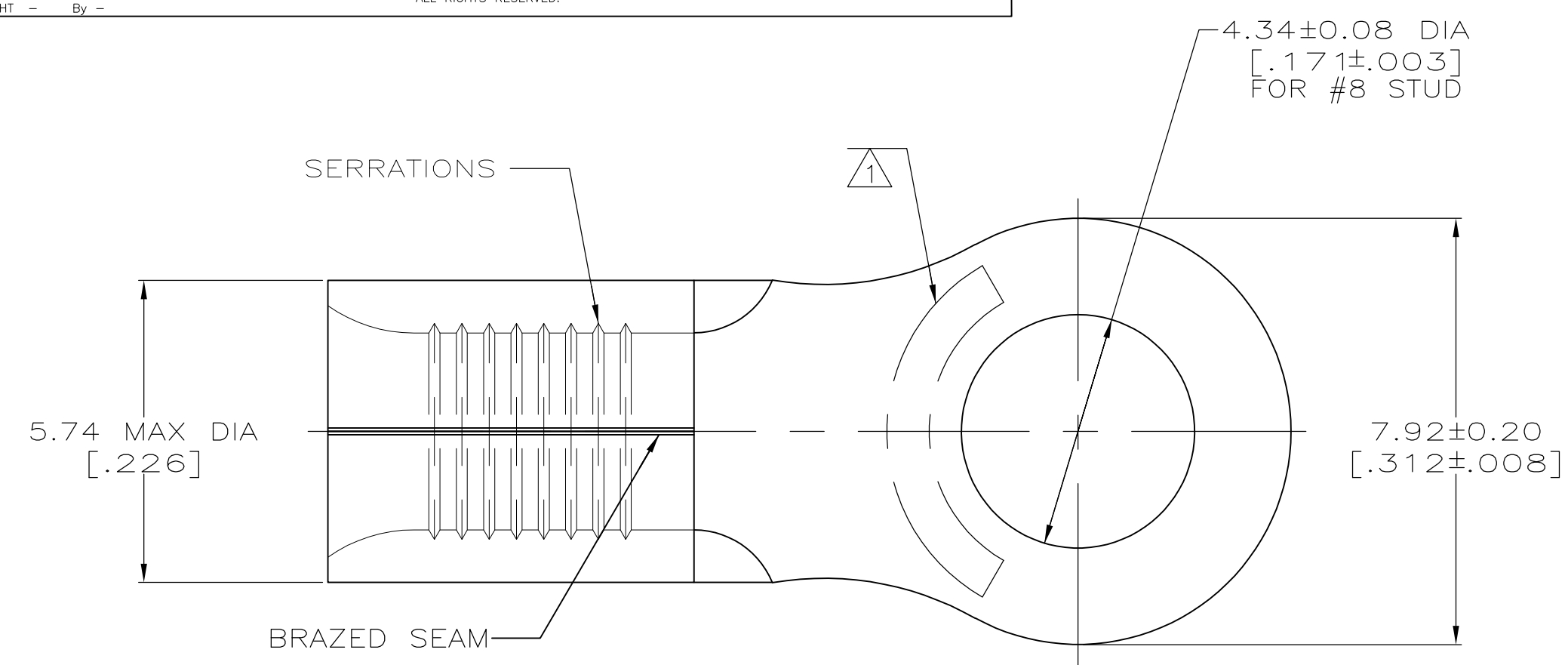


LOC	DIST	REVISIONS			JR/MS		
G	14	P	LTR	DESCRIPTION	DATE	OWN	APVD
			F1	REVISED PER ECO-11-004820	11MAR11	RK	HMR



AMP WIRE RANGE	Listed FILE E13288	LR7189 Certified
12-10 AWG SOLID OR STRANDED	12-10 AWG STRANDED	12-10 AWG SOLID OR STRANDED

- ① STAMP AMP 12-10* APPROX AS SHOWN
- ② PRELIMINARY - NOT FOR PRODUCTION
- ③ 0.00254 [.000100] MIN TIN PLATE PER ASTM B-545
- ④ CLEANED, UNPLATED
- ⑤ 0.00254 [.000100] MIN TIN-LEAD (93-7) PLATE PER ASTM B-545 (3% MIN LEAD CONTENT)
- ⑥ COPPER PER ASTM B-152, ANNEALED

⑤	500	LOOSE PIECE	322454-3
④	-	LOOSE PIECE	② 322454-2
③	50	LOOSE PIECE, BOX	8-322454-2
③	2500	ON TAPE, REEL	322454-1
③	----	LOOSE PIECE	322454
FINISH	QTY	PACKAGE TYPE	PART NO.

MAX RECOMMENDED OPERATING TEMPERATURE: 170°C MAX	THIS DRAWING IS A CONTROLLED DOCUMENT.		DWN TA BRINKMAN 3-17-93	TE Connectivity
	VOLTAGE RATING: N/A	DIMENSIONS: MM [INCHES]	CHK DA PATTERSON 3-17-93	
CIRCULAR MIL AREA: 2.62-6.64mm² [5,180-13,100] SOLID OR STRANDED		TOLERANCES UNLESS OTHERWISE SPECIFIED:	APVD JL MECKLEY 3-17-93	NAME TERMINAL, RING TONGUE, SOLISTRAND
		MATERIAL ⑥	FINISH SEE TABLE	PRODUCT SPEC APPLICATION SPEC
			WEIGHT -	SIZE A2
			CUSTOMER DRAWING	CAGE CODE 00779
				DRAWING NO 322454
				RESTRICTED TO -
				SCALE 10:1
				SHEET 1 OF 1
				REV F1

X-ON Electronics

Largest Supplier of Electrical and Electronic Components

Click to view similar products for [Terminals](#) category:

Click to view products by [TE Connectivity](#) manufacturer:

Other Similar products are found below :

[00-054007-01074-6](#) [00-054007-70206-1](#) [00-054007-70210-8](#) [00-054007-70217-7](#) [00-054007-70226-9](#) [00-054007-70228-3](#) [00-054007-70248-1](#) [00-054007-70256-6](#) [00-054007-70301-3](#) [00-054007-70316-7](#) [00-054007-49560-4](#) [00-054007-70209-2](#) [00-054007-70225-2](#) [00-054007-70227-6](#) [00-054007-70231-3](#) [00-054007-70241-2](#) [00-054007-70242-9](#) [00-054007-70244-3](#) [00-054007-70246-7](#) [00-054007-70263-4](#) [00-054007-70288-7](#) [00-054007-70290-0](#) [00-054007-70300-6](#) [00-054007-70304-4](#) [01-2065-1-0216](#) [01-2900-1-04412](#) [00581P0075](#) [600TS-10](#) [60205-1](#) [604200-1](#) [605601-1](#) [60598-1-CUT-TAPE](#) [61314-6-C](#) [61810-3](#) [61-S](#) [61-SN](#) [626-0194](#) [62-NBM-A](#) [62-SN](#) [62-SP](#) [63-S](#) [640179-1](#) [M55155/059I03](#) [M55155/079C01](#) [M55155/099H02](#) [M55155/109H01](#) [M55155/109H02](#) [M55155/12XH05](#) [M55155/16XH02](#) [M55155/29-5S](#)