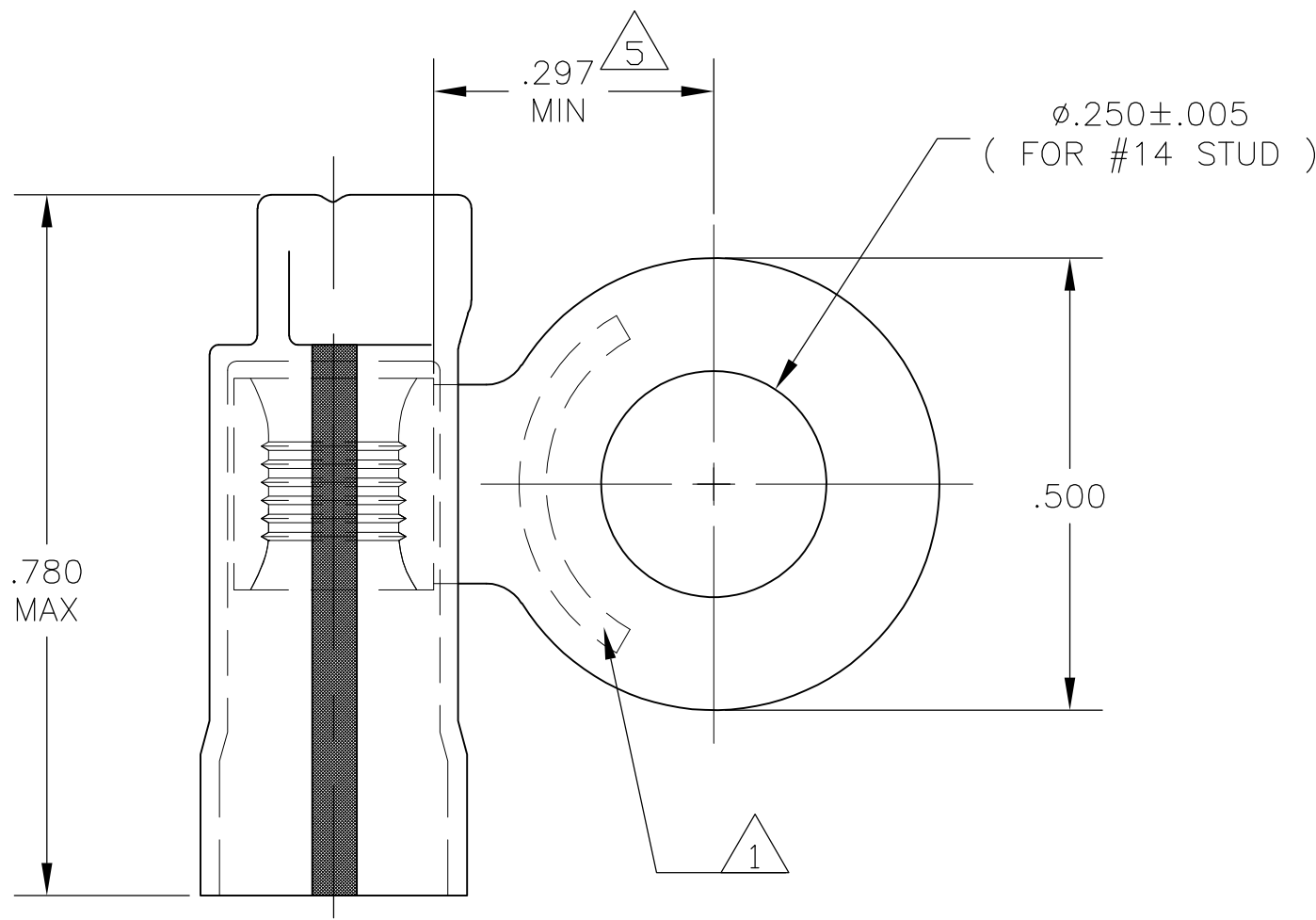


THIS DRAWING IS UNPUBLISHED. RELEASED FOR PUBLICATION  
 © COPYRIGHT - BY TYCO ELECTRONICS CORPORATION. ALL RIGHTS RESERVED.

LOC	DIST	REVISIONS			
P	LTR	DESCRIPTION	DATE	DWN	APVD
G	14	D1	REV PER ECR 08-028283	07NOV08	JR TM



**AMP**  
WIRE RANGE

16-14 HD AWG  
SOLID OR STRANDED

- 1 STAMP AMP 16-14HD, LOCATED APPROX AS SHOWN
- 2 WIRE INSUL DIA., .180-.280
- 3 TONGUE MATL THK, .050 MAX
- 4 MATERIAL: BODY - CU PER ASTM B152  
- FINISH TIN PL PER ASTM B545  
SLEEVE - PVC  
- COLOR NATURAL W/ BLACK STRIPE
- 5 FROM EDGE OF METAL WIRE BBL TO CENTER OF STUD HOLE

250	LOOSE PIECE	322511-1
QTY	PACKAGE TYPE	PART NO

<b>AMP INCORPORATED CUSTOMER SERVICE SYSTEMS</b>	
FOR ADDITIONAL PRODUCT INFORMATION OR COPIES OF DRAWINGS AND TECHNICAL DOCUMENTS	PRODUCT INFORMATION CENTER 1-800-522-6752
FOR APPLICATION TOOLING INFORMATION	TOOLING ASSISTANCE CENTER 1-800-722-1111
FOR ORDER ENTRY	1-800-526-5142

MAX RECOMMENDED OPERATING TEMPERATURE: 105°C [221°F]
VOLTAGE RATING: 300V MAX
CIRCULAR MIL AREA: 1.04-2.62mm² [2,050-5,180] SOLID OR STRANDED

THIS DRAWING IS A CONTROLLED DOCUMENT.	
DIMENSIONS: INCHES	TOLERANCES UNLESS OTHERWISE SPECIFIED:
	0 PLC ± -
	1 PLC ± -
	2 PLC ± -
	3 PLC ± .008
	4 PLC ± -
	ANGLES ± 5°
MATERIAL	FINISH
- 4	- 4

DWN jr_ruth 16DEC05	Tyco Electronics Corporation Harrisburg, PA 17105-3608	
CHK T MICHELUTTI 16DEC05	NAME TERMINAL, FLAG, RING TONGUE, PLASTI-GRIP, WIRE SIZE 16-14 HD AWG	
APVD T MICHELUTTI 16DEC05	SIZE A3	CAGE CODE 00779
PRODUCT SPEC	DRAWING NO G-322511	RESTRICTED TO -
APPLICATION SPEC	SCALE 5:1	SHEET 1 OF 1
WEIGHT -	CUSTOMER DRAWING	REV D1

## X-ON Electronics

Largest Supplier of Electrical and Electronic Components

*Click to view similar products for [Terminals](#) category:*

*Click to view products by [TE Connectivity](#) manufacturer:*

Other Similar products are found below :

[HT-13-10](#) [71M-250-32-NB](#) [01-2065-1-0216](#) [00581P0075](#) [M10-10RX](#) [M10BCK](#) [60205-1](#) [604200-1](#) [60598-1-CUT-TAPE](#) [60617-1-C](#) [60873-1](#) [M14-516R/SK](#) [M14-6RSX](#) [M18-10FLX](#) [M18-8FBX](#) [M18-8R/LX](#) [M18BCK](#) [61314-6-C](#) [61-S](#) [61-SN-A](#) [62-NBM-A](#) [63-S](#) [640179-1](#) [640917-2-CUT-TAPE](#) [6501550002](#) [66107-2-C](#) [66107-4-C](#) [696683-1](#) [696834-1](#) [696861-1](#) [696931-1](#) [696999-1](#) [M8-516RK](#) [M86700006](#) [MA250DMFMX-A](#) [701-2007](#) [701-2307](#) [701-7761-03](#) [70F-110-32-PB](#) [718-N-A](#) [71M-187-20-NBL](#) [71M-250-32-NBL](#) [72F-187-20-NBL](#) [72M-250-32-NBL](#) [7310](#) [73F-250-32](#) [73F-250-32-NBL](#) [73F-250-32-NL](#) [F14-10C](#) [F-1M](#)