

THIS DRAWING IS UNPUBLISHED. VERTRÄULICHE UNVERÖFFENTLICHTE ZEICHNUNG. RELEASED FOR PUBLICATION FREI FÜR VERÖFFENTLICHUNG. 2014. MATED WITH: PASSEND ZU: -

© COPYRIGHT 2014 Tyco Electronics AMP GmbH. ALL RIGHTS RESERVED. ALLE RECHTE VORBEHALTEN.

PROJEKT NR.: PRJ-14-00000805

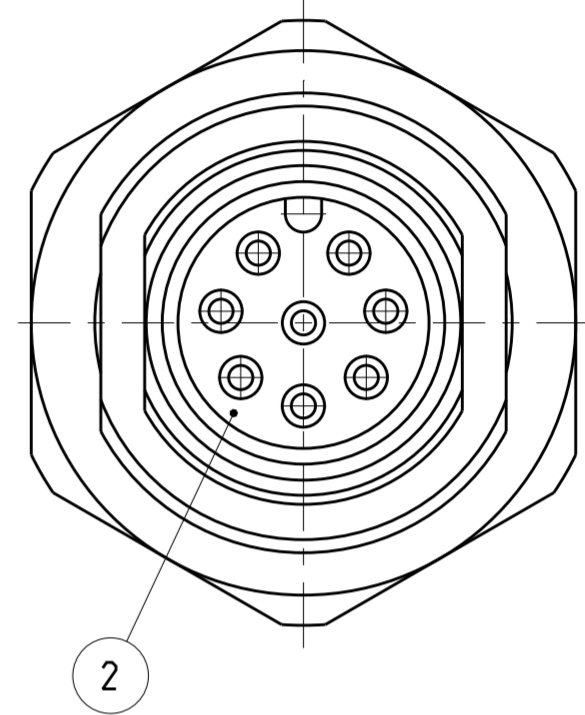
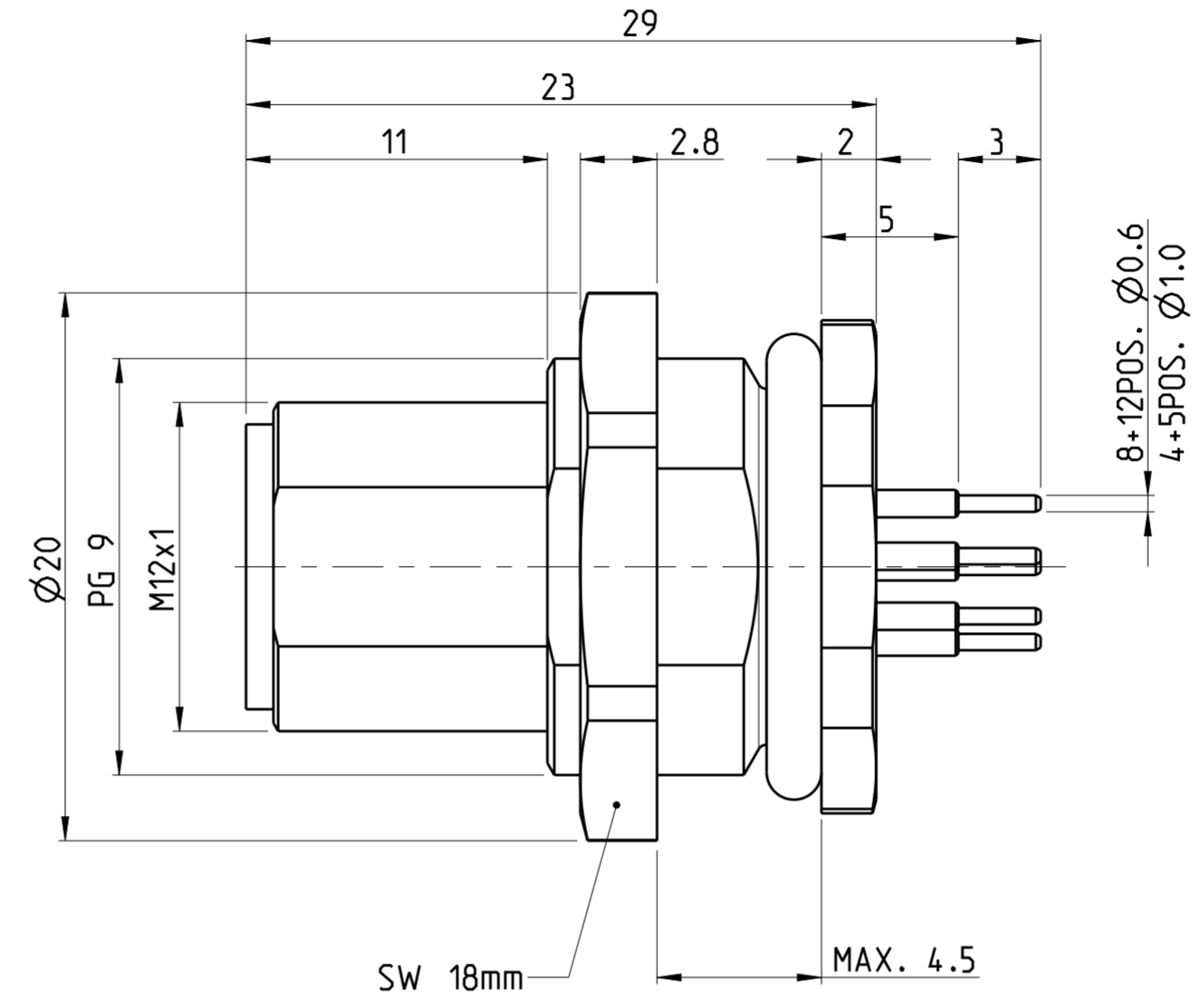
P	LTR	DESCRIPTION / BESCHREIBUNG	DATE	DWN	APVD
A2		ADDED PCB LAYOUT IN DRAWING	20AUG2014	YR	MB
A3		3-2271140-2 AND 4-2271140-2 DISCONTINUED	25SEP2017	TJ	NG
A4		ECR-18-002621.CORRECT ERROR	27Feb2018	TF	CW

MATERIAL: ITEM NO. 1: HOUSING - ZINC DIECASTING, NICKEL PLATED
 ITEM NO. 2: CONTACT BODY - PA
 ITEM NO. 3: CONTACT - CuZn (brass)
 CONTACT FINISH - Au (gold)

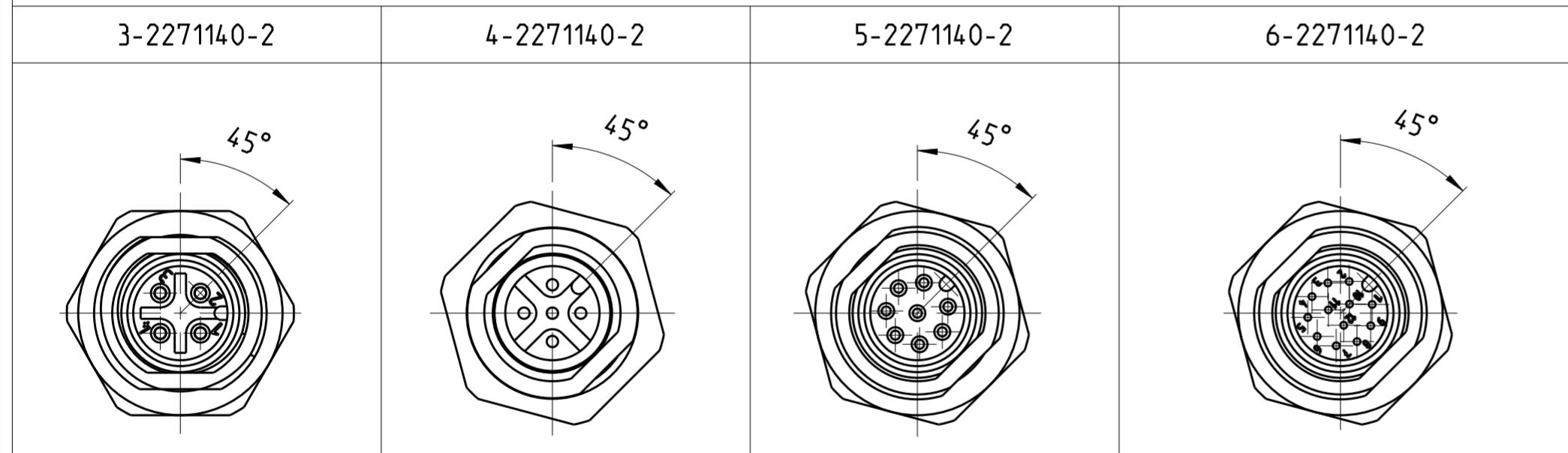
2 ALL DIMENSIONS ARE FOR NOMINAL REFERENCE ONLY UNLESS OTHERWISE STATED

3 PACKAGING: 20 PIECE IN A BAG

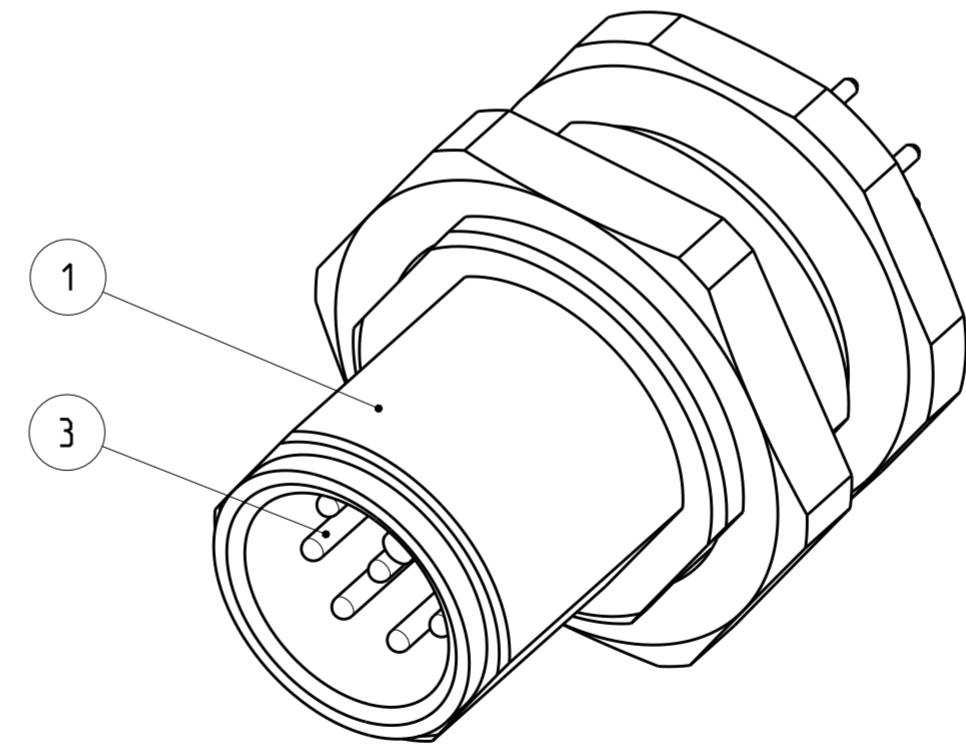
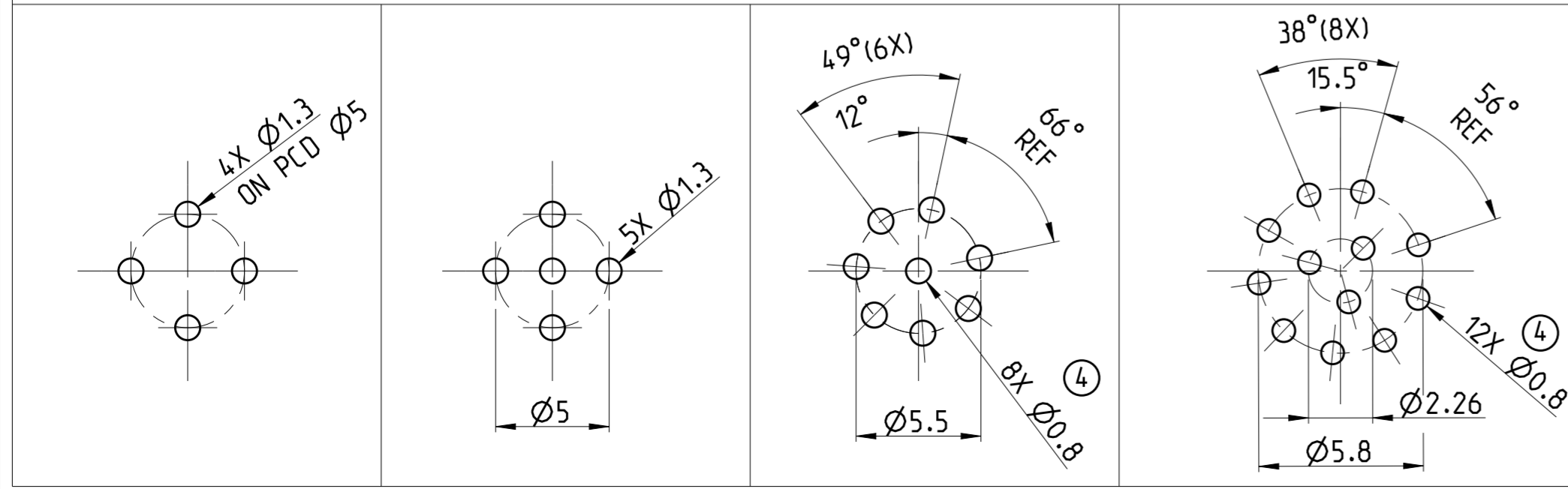
TECHNICAL DATA	3-2271140-2	4-2271140-2	5-2271140-2	6-2271140-2
RATED VOLTAGE	250V	125V	60V	30V
RATED IMPULSE VOLTAGE	2500V	1500V	800V	500V
POLLUTION DEGREE	3	3	3	3
OVERVOLTAGE CATEGORY	II	II	II	II
MATERIAL GROUP	II	II	II	II
RATED CURRENT	4A	4A	2A	2A
VOLUME RESISTIVITY	≤ 3mΩ	≤ 3mΩ	≤ 3mΩ	≤ 3mΩ
DEGREE OF PROTECTION	IP68	IP68	IP68	IP68
UPPER TEMPERATURE	+85 °C	+85 °C	+85 °C	+85 °C
LOWER TEMPERATURE	-40 °C	-40 °C	-40 °C	-40 °C



PIN ARRANGEMENT
A-CODING (SCALE 2:1)



PCB LAYOUT



5-2 AS SHOWN WIE GEZEICHNET

WIRES AWG / mm ²	MATERIAL	NUMBER OF POLES	TE-PART-NO.
26 / 0.14mm ²	⚠	12	6-2271140-2
24 / 0.25mm ²	⚠	8	5-2271140-2
24 / 0.25mm ²	⚠	5	4-2271140-2
24 / 0.25mm ²	⚠	4	3-2271140-2

SIZE ISO 14405 (E)

DIESE ZEICHNUNG IST EIN KONTROLLIERTES DOKUMENT. BEMASSUNGEN UND TOLERANZEN GEMAESS GPS (ISO STANDARDS). THIS DRAWING IS A CONTROLLED DOCUMENT. DIMENSIONING AND TOLERANCING PER GPS (ISO STANDARDS).

WIRE SPECIFICATIONS: 0 PLC ±, 1 PLC ±, 2 PLC ±, 3 PLC ±, 4 PLC ±. ANGLES/WINKEL ±, FINISH/OBERFLAECHE/FARBE ±. TOLERANCES UNLESS OTHERWISE SPECIFIED: ALLGEMEINTOLERANZEN. SEE NOTES.

APVD: YASHKUMAR 15MAY2014, M.STRELOW 15MAY2014, C.SCHRETLINGER 15MAY2014. PRODUCT SPEC: 108-19483. APPLICATION SPEC: 114-32127. NAME: M12 RECEPTACLE, MALE, PCB MOUNT, PANEL REAR, STRAIGHT, A-CODED. SIZE: A2. CAGE CODE: 00779. DRAWING NO: C-2271140. SCALE: 4:1. SHEET: 1 OF 1. REV: A4.

STE TE Connectivity

X-ON Electronics

Largest Supplier of Electrical and Electronic Components

Click to view similar products for [Circular Metric Connectors](#) category:

Click to view products by [TE Connectivity](#) manufacturer:

Other Similar products are found below :

[600X518037X](#) [6STD15PCR99B70A](#) [8R4000A16M020](#) [8R5000A16M005](#) [1200910002](#) [1203580030](#) [1200910008](#) [1200910011](#) [1300140094](#)
[130203-0054](#) [1300140026](#) [1300150099](#) [RF-12S1N8A90DU](#) [1612618](#) [21036836414](#) [8R4006A16M010](#) [1604232](#) [1R3006A20M005](#) [RF-](#)
[12P1N8A80DU](#) [RF-12P1N8A90DU](#) [41-40011](#) [42-00006](#) [42-01015](#) [4-22279-4](#) [4-22281-1](#) [4-22284-9](#) [43-00113](#) [43-01088](#) [43-01203](#) [41-](#)
[40013](#) [42-00008](#) [43-00343](#) [43-01026](#) [43-01032](#) [43-01162](#) [43-01173](#) [43-10000](#) [XS3P-M421-2](#) [600X518050X](#) [SACC-DSI-FS-5P-PG9-L180](#)
[SC](#) [8R5006A16M020](#) [8R5006A16M005](#) [8R4000A16M010](#) [6-22279-3](#) [1605332](#) [N03FA03144](#) [1300140077](#) [43-16213](#) [43-01338](#)
[XS2RD4265](#)