

THIS DRAWING IS UNPUBLISHED.
 VERTRÄULICHE UNVERÖFFENTLICHTE ZEICHNUNG
 RELEASED FOR PUBLICATION
 FREI FÜR VERÖFFENTLICHUNG
 2014
 ALL RIGHTS RESERVED.
 ALLE RECHTE VORBEHALTEN.
 MATED WITH:
 PASSEND ZU:

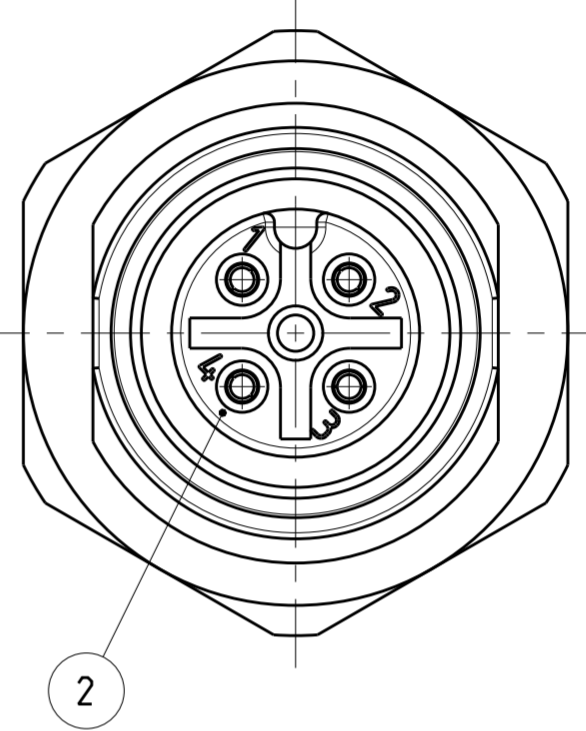
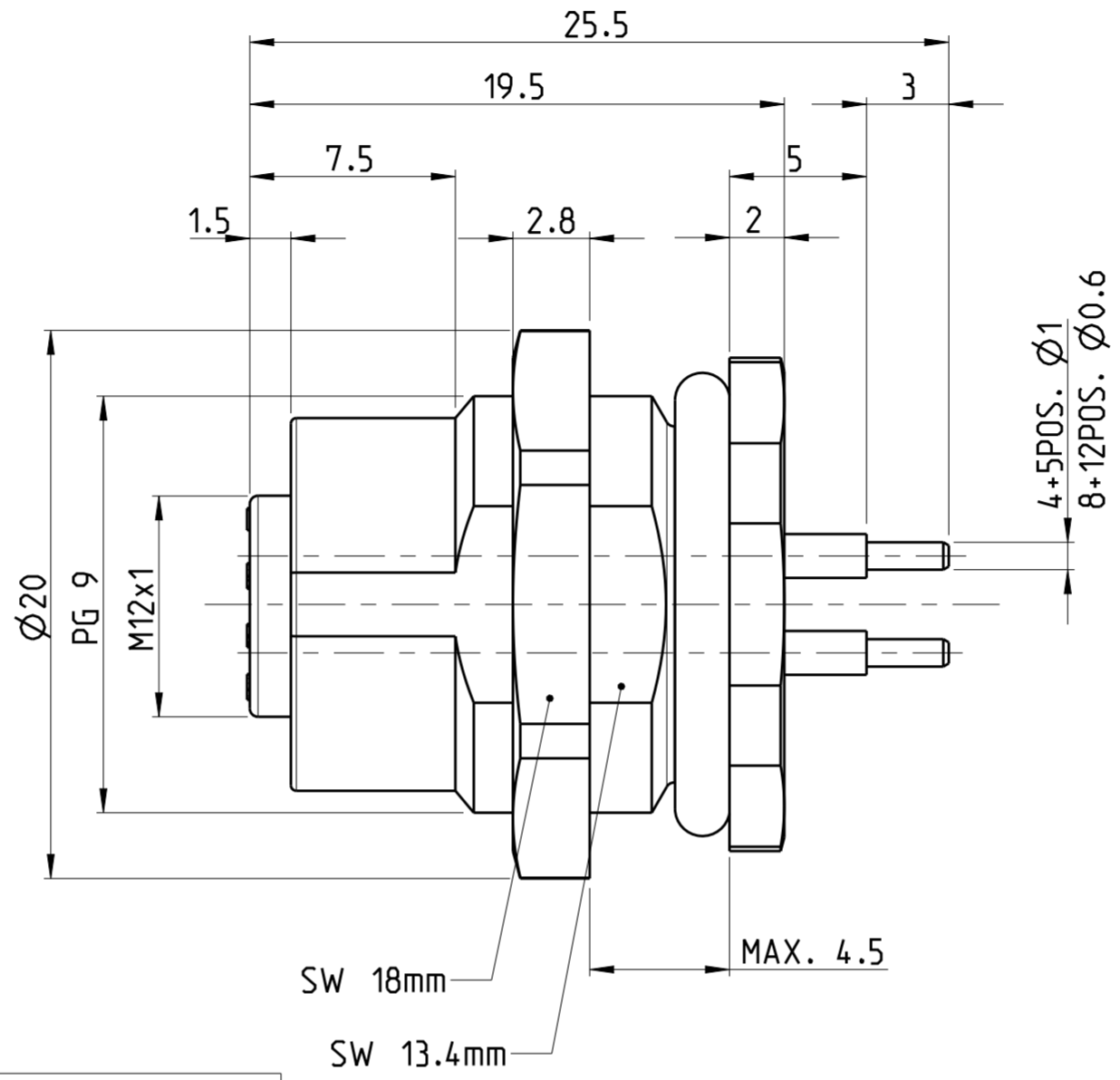
PROJEKT NR.:
 PRJ-14-00000805

REVISIONS		DATE	DWN	APVD
P	LTR	DESCRIPTION		
A2		ADDED PCB LAYOUT IN DRAWING	20AUG2014	YR MB
A3		3-2271143-2 AND 4-2271143-2 DISCONTINUED	25SEP2017	TJ NG
A4		ECR-18-002621. CORRECT ERROR	27Feb2018	TF WC

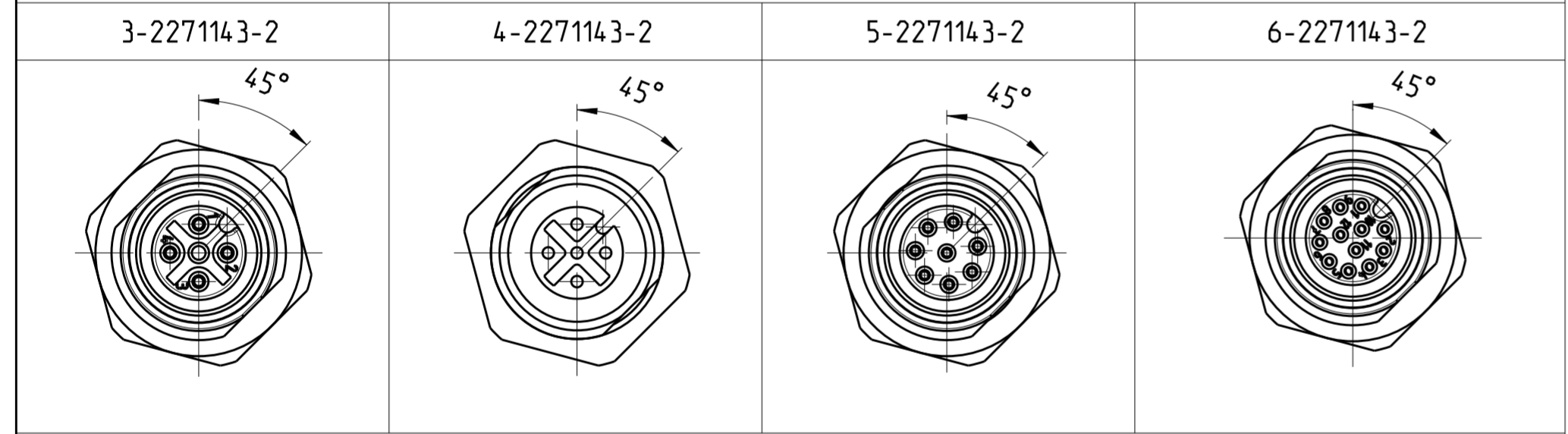
MATERIAL: ITEM NO. 1: HOUSING - ZINC DIECASTING, NICKEL PLATED
 ITEM NO. 2: CONTACT BODY - PA
 ITEM NO. 3: CONTACT - CuZn (BRONZE)
 CONTACT FINISH - Au (gold)

2 ALL DIMENSIONS ARE FOR NOMINAL REFERENCE ONLY UNLESS OTHERWISE STATED
3 **PACKAGING:** 20 PIECE IN A BAG

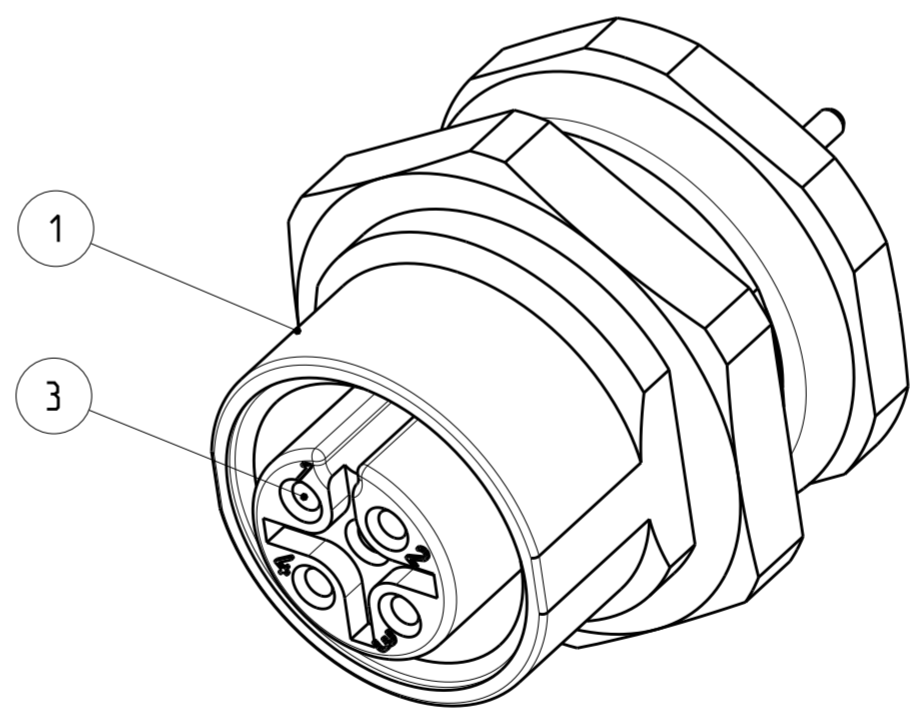
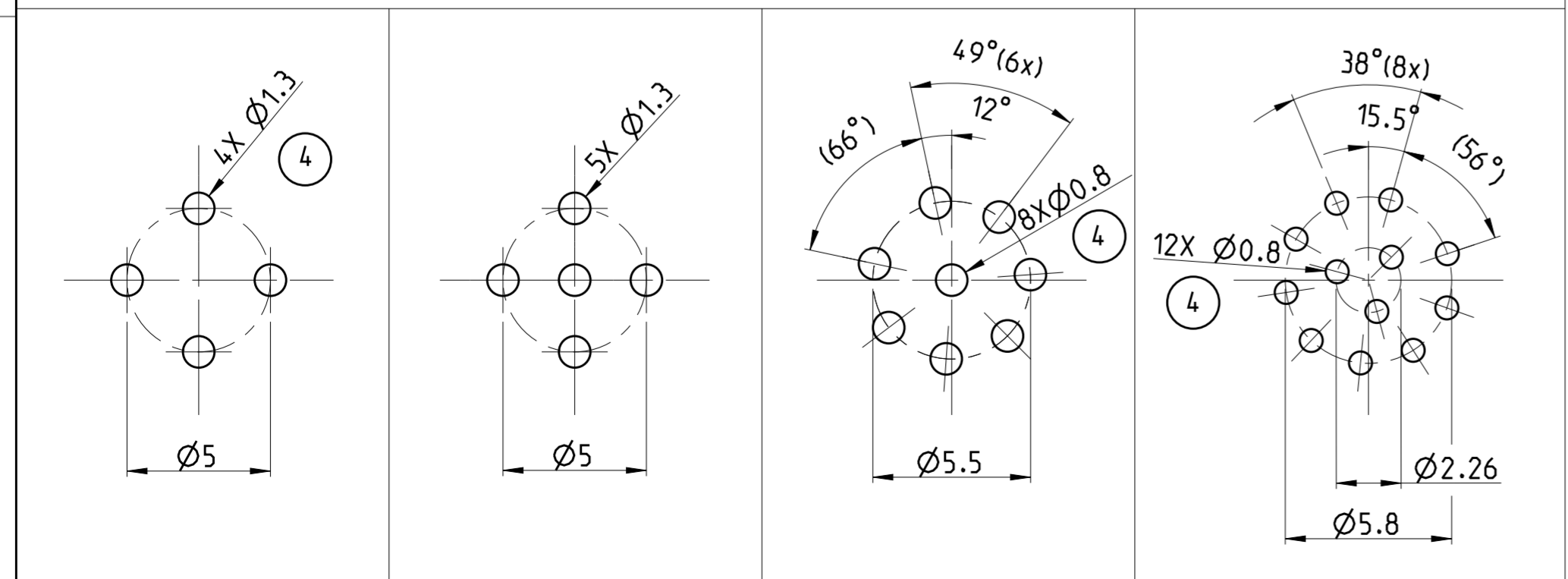
TECHNICAL DATA	3-2271143-2	4-2271143-2	5-2271143-2	6-2271143-2
RATED VOLTAGE	250V	125V	60V	30V
RATED IMPULSE VOLTAGE	2500V	1500V	800V	500V
POLLUTION DEGREE	3	3	3	3
OVERVOLTAGE CATEGORY	II	II	II	II
MATERIAL GROUP	II	II	II	II
RATED CURRENT	4A	4A	2A	2A
VOLUME RESISTIVITY	≤ 3mΩ	≤ 3mΩ	≤ 3mΩ	≤ 3mΩ
DEGREE OF PROTECTION	IP68	IP68	IP68	IP68
UPPER TEMPERATURE	+85 °C	+85 °C	+85 °C	+85 °C
LOWER TEMPERATURE	-40 °C	-40 °C	-40 °C	-40 °C



PIN ARRANGEMENT
 A-CODING (SCALE 2:1)



PCB LAYOUT



SIZE ISO 14405 (E)

3-2 AS SHOWN
 WIE GEZEICHNET

WIRES	MATERIAL	NUMBER OF POLES	TE-PART-NO.
24 / 0.25mm ²	⚠	12	6-2271143-2
24 / 0.25mm ²	⚠	8	5-2271143-2
24 / 0.25mm ²	⚠	5	4-2271143-2
24 / 0.25mm ²	⚠	4	3-2271143-2

DIESE ZEICHNUNG IST EIN KONTROLLIERTES DOKUMENT.
 BEMASSUNGEN UND TOLERANZEN GEMAESS GPS (ISO STANDARDS).
 THIS DRAWING IS A CONTROLLED DOCUMENT.
 DIMENSIONING AND TOLERANCING PER GPS (ISO STANDARDS).
 DIMENSIONS: MASSE/WEITEN: (MM)
 TOLERANCES UNLESS OTHERWISE SPECIFIED: ALLGEMEINTOLERANZEN
 0 PLC ±
 1 PLC ±
 2 PLC ±
 3 PLC ±
 4 PLC ±
 ANGLES/INKEL ±
 FINISH/OBERFLÄCHE/FARBE
 MATERIAL SEE NOTES
 SEE NOTES

DWN YASHKUMAR 15MAY2014
 CHK M.STRELOW 15MAY2014
 APVD C.SCHRETLINGER 15MAY2014
 NAME M12 RECEPTACLE, FEMALE, PCB MOUNT, PANEL REAR, STRAIGHT, A-CODED
 SIZE A2 CAGE CODE 00779 DRAWING NO. C-2271143
 SCALE MASSSTAB 4:1 SHEET BLATT 1 OF 1 REV A4



X-ON Electronics

Largest Supplier of Electrical and Electronic Components

Click to view similar products for [Circular Metric Connectors](#) category:

Click to view products by [TE Connectivity](#) manufacturer:

Other Similar products are found below :

[600X518037X](#) [6STD15PCR99B70A](#) [8R4000A16M020](#) [8R5000A16M005](#) [1200910002](#) [1203580030](#) [1200910008](#) [1200910011](#) [1300140094](#)
[130203-0054](#) [1300140026](#) [1300150099](#) [RF-12S1N8A90DU](#) [1612618](#) [21036836414](#) [8R4006A16M010](#) [1604232](#) [1R3006A20M005](#) [RF-](#)
[12P1N8A80DU](#) [RF-12P1N8A90DU](#) [41-40011](#) [42-00006](#) [42-01015](#) [4-22279-4](#) [4-22281-1](#) [4-22284-9](#) [43-00113](#) [43-01088](#) [43-01203](#) [41-](#)
[40013](#) [42-00008](#) [43-00343](#) [43-01026](#) [43-01032](#) [43-01162](#) [43-01173](#) [43-10000](#) [XS3P-M421-2](#) [600X518050X](#) [SACC-DSI-FS-5P-PG9-L180](#)
[SC](#) [8R5006A16M020](#) [8R5006A16M005](#) [8R4000A16M010](#) [6-22279-3](#) [1605332](#) [N03FA03144](#) [1300140077](#) [43-16213](#) [43-01338](#)
[XS2RD4265](#)