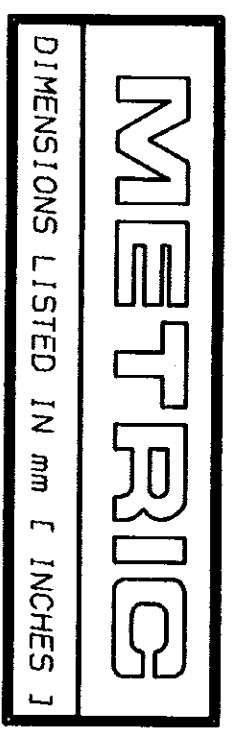
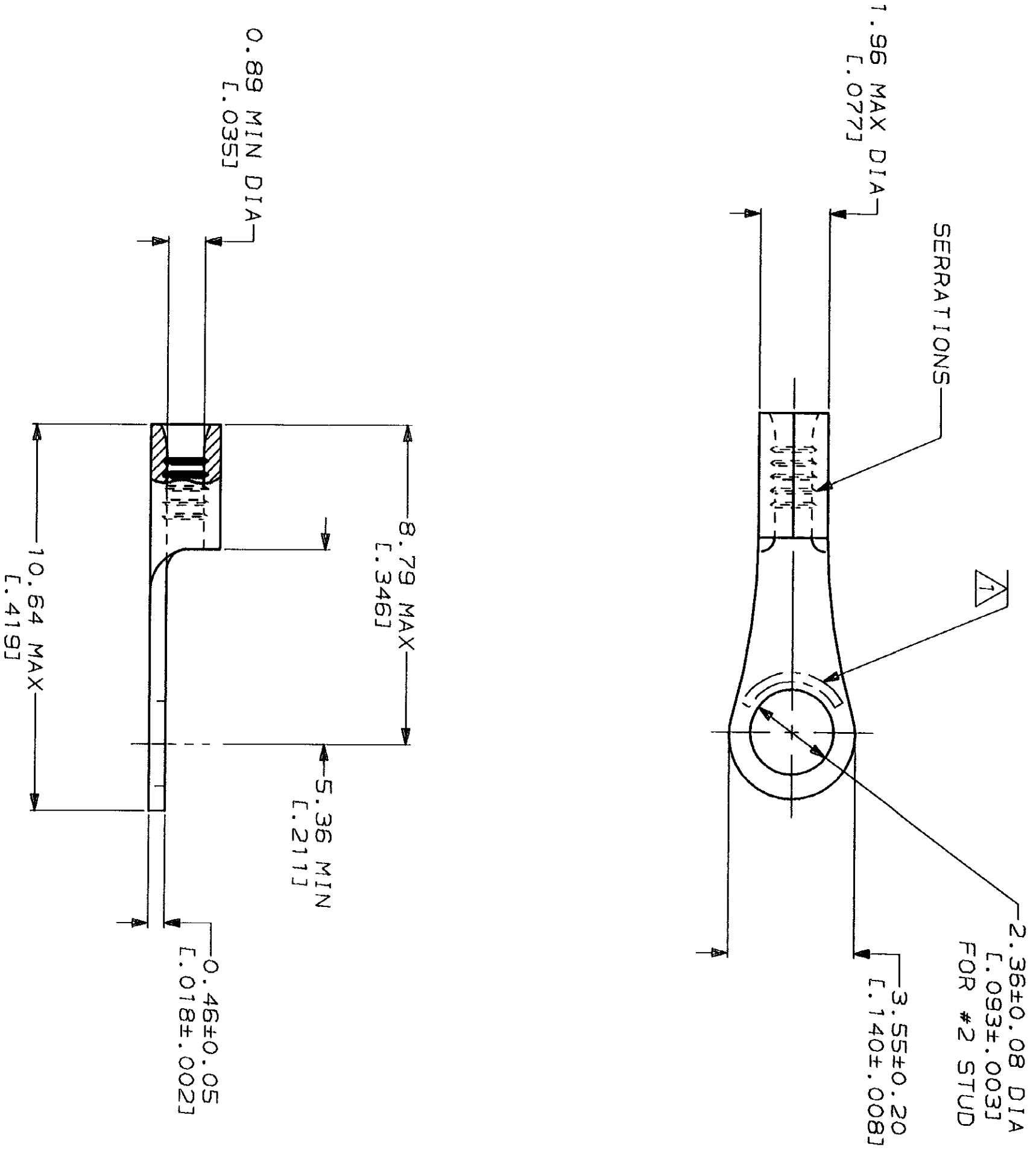


LOC	Q1ST	P	F	ZONE	LTR	REVISIONS	DESCRIPTION	DATE	APPD
G	14					0	RELEASED PER 0720-0008-93	2-2-93	YB DAP



<b>AMP</b> WIRE RANGE 26-22 AWG STRANDED	<b>UL</b> E13288 Listed	NOT LISTED
<b>LR7189</b> Certified	MILITARY P/N AND CLASS	NOT CERTIFIED
NOT CERTIFIED		NOT APPLICABLE

△ STAMP AMP APPROX AS SHOWN



**AMP INCORPORATED**  
**CUSTOMER SERVICE SYSTEMS**

FOR ADDITIONAL PRODUCT INFORMATION OR COPIES OF DRAWINGS AND TECHNICAL DOCUMENTS  
 1-800-522-6752  
 PRODUCT INFORMATION CENTER

FOR APPLICATION TOOLING INFORMATION  
 1-800-722-1111  
 TOOLING ASSISTANCE CENTER

FOR ORDER ENTRY  
 1-800-526-5142  
 TOOLING INFORMATION

MAX RECOMMENDED OPERATING TEMPERATURE:  
170°C MAX

VOLTAGE RATING:  
NOT APPLICABLE

WIRE CROSS SECTIONAL AREA RANGE:  
0.1-0.41mm<sup>2</sup> [202-810] CIR MILS  
STRANDED

THIS DRAWING IS A CONTROLLED DOCUMENT FOR AMP INCORPORATED. IT IS SUBJECT TO CHANGE AND THE CONTROLLING ENGINEERING ORGANIZATION SHOULD BE CONSULTED FOR THE LATEST REVISION.

DO NOT SCALE PRINT. UNLESS SPECIFIED DIMENSIONS IN mm [INCHES] TOLERANCES ON:  
 2 PLG DEC ±  
 3 PLG DEC ±  
 ANGLES

MATERIAL  
 COPPER PER ASTM B-152 ANNEALED

FINISH  
 TIN PLATE  
 0.00254 [0.00100] MIN THK PER MIL-T-10727

DR 2-2-93 TA BRINKMAN	NAME
CHK 2-2-93 DA PATTERSON	
APPD 2-2-93 DE MILLER	
APPD 2-2-93 JL MECKLEY	
PRODUCT SPEC	
APPLICATION SPEC	
WEIGHT	

**AMP**  
 AMP Incorporated  
 Harrisburg, PA 17105-3608

TERMINAL, RING  
 TONGUE, BUDGET

SIZE CAGE CODE DRAWING NO  
 00779 322771

322771  
 PART NO

## X-ON Electronics

Largest Supplier of Electrical and Electronic Components

*Click to view similar products for [Terminals](#) category:*

*Click to view products by [TE Connectivity](#) manufacturer:*

Other Similar products are found below :

[00-054007-01074-6](#) [00-054007-70206-1](#) [00-054007-70210-8](#) [00-054007-70217-7](#) [00-054007-70226-9](#) [00-054007-70228-3](#) [00-054007-70248-1](#) [00-054007-70256-6](#) [00-054007-70301-3](#) [00-054007-70316-7](#) [0-0320562-0](#) [00-054007-49560-4](#) [00-054007-70209-2](#) [00-054007-70225-2](#) [00-054007-70227-6](#) [00-054007-70231-3](#) [00-054007-70241-2](#) [00-054007-70242-9](#) [00-054007-70244-3](#) [00-054007-70246-7](#) [00-054007-70263-4](#) [00-054007-70288-7](#) [00-054007-70290-0](#) [00-054007-70300-6](#) [00-054007-70304-4](#) [01-2065-1-0216](#) [01-2900-1-04412](#) [00581P0075](#) [600TS-10](#) [60205-1](#) [604200-1](#) [605601-1](#) [60598-1-CUT-TAPE](#) [61314-6-C](#) [61810-3](#) [61-S](#) [61-SN](#) [626-0194](#) [62-NBM-A](#) [62-SN](#) [62-SP](#) [63-S](#) [640179-1](#) [M55155/059I03](#) [M55155/079C01](#) [M55155/099H02](#) [M55155/109H01](#) [M55155/109H02](#) [M55155/12XH05](#) [M55155/16XH02](#)