

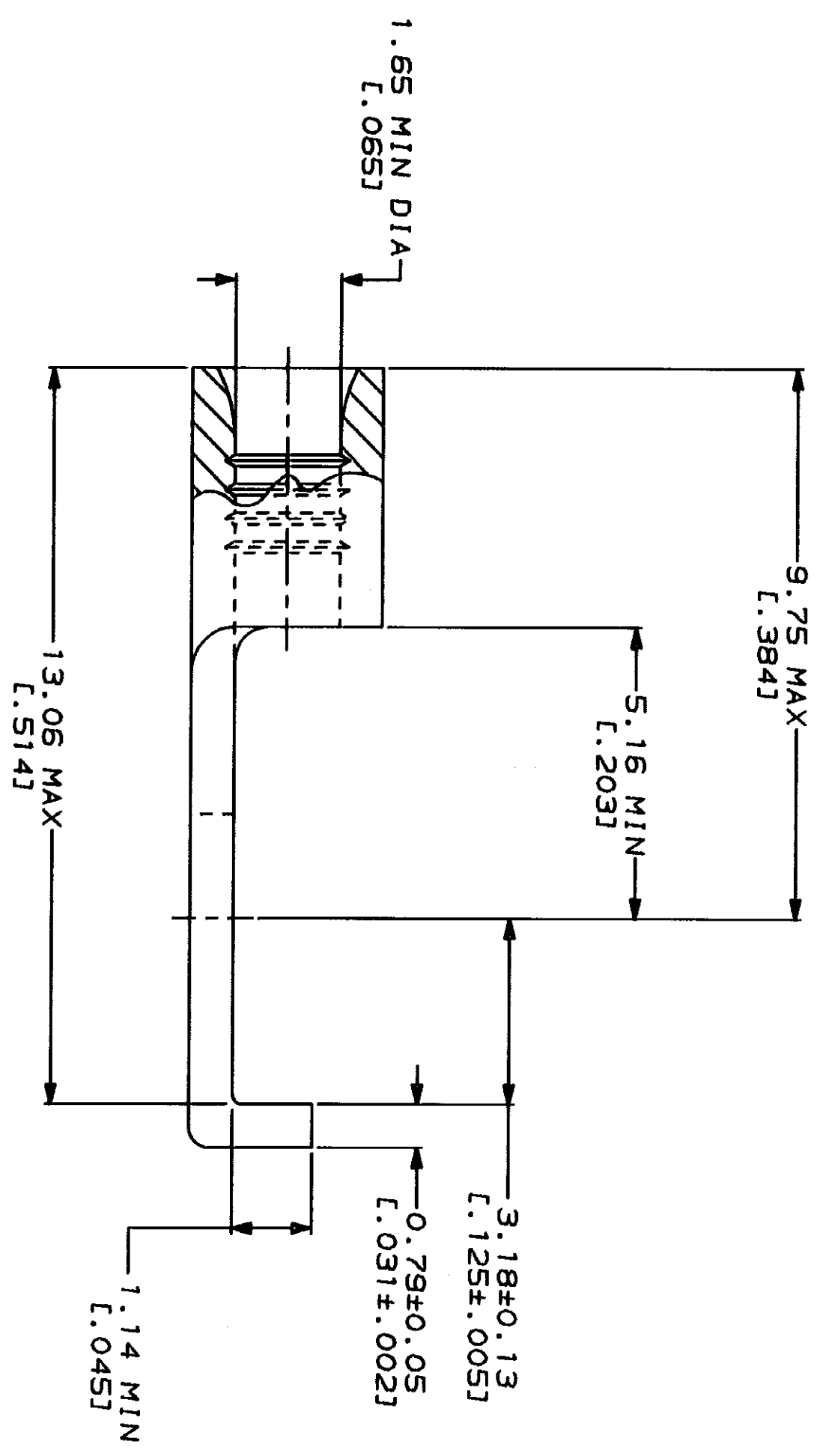
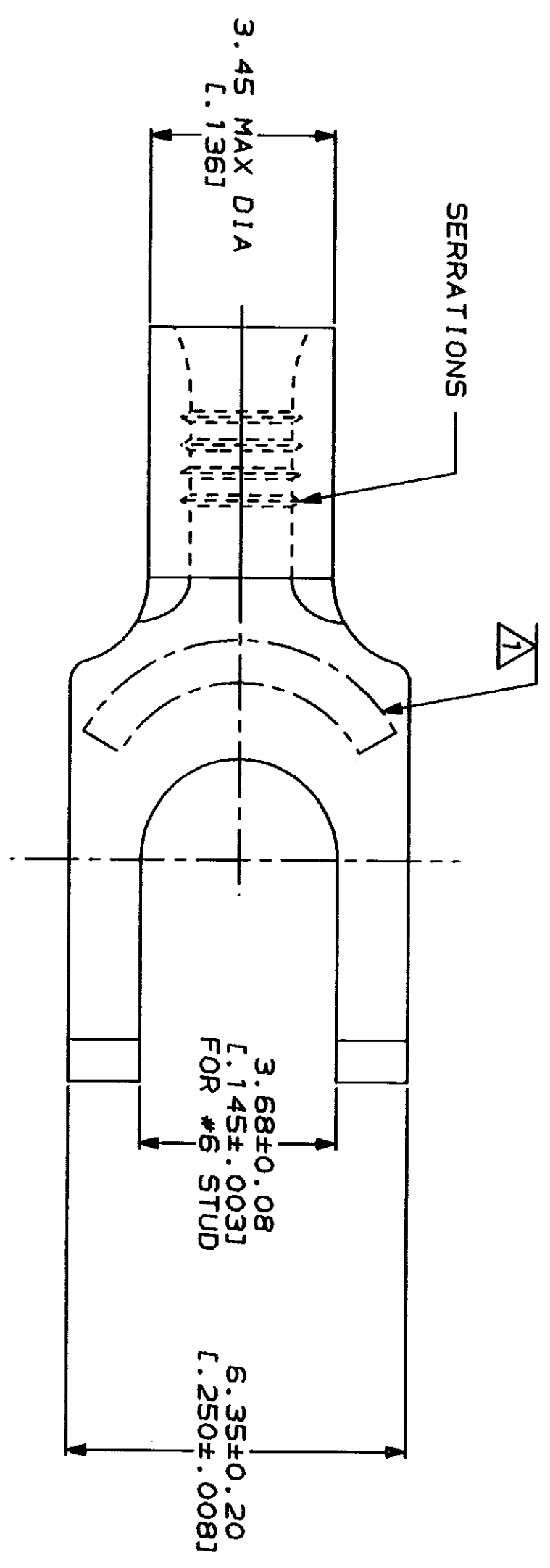
LOC	DIST	ZONE	LTR	DESCRIPTION	DATE	APPD
G	14	A		REVISED PER 0720-0230-93	2/28/94	AMP

REVISIONS	
NO	DESCRIPTION
1	REVISED PER 0720-0230-93

METRIC
 DIMENSIONS LISTED IN MM [INCHES]

AMP WIRE RANGE	UL E13288 Listed
22-16 AWG STRANDED	22-16 AWG STRANDED
LR7189 Certified	MILITARY P/N AND CLASS
NOT CERTIFIED	NOT APPLICABLE

STAMP AMP 22-18* APPROX AS SHOWN
 22-16 TERMINALS ARE STAMPED 22-18 IN
 ACCORDANCE WITH MILITARY SPECIFICATION
 MIL-T-7928, COMMERCIAL WIRE RANGE IS 22-16



AMP INCORPORATED
 CUSTOMER SERVICE SYSTEMS

FOR ADDITIONAL PRODUCT INFORMATION OR COPIES OF DRAWINGS AND TECHNICAL DOCUMENTS	PRODUCT INFORMATION CENTER 1-800-522-6752	MAX RECOMMENDED OPERATING TEMPERATURE: 170°C MAX
FOR APPLICATION TOOLING INFORMATION	TOOLING ASSISTANCE CENTER 1-800-722-1111	VOLTAGE RATING: NOT APPLICABLE
FOR ORDER ENTRY	1-800-526-5142	WIRE CROSS SECTIONAL AREA RANGE: 0.26-1.65mm ² [509-3,260] CIR MILS STRANDED

DO NOT SCALE PRINT.
 UNLESS SPECIFIED OTHERWISE—
 DIMENSIONS IN MILLIMETERS—
 TOLERANCES ON:
 1. DIMENSIONS IN MILLIMETERS—
 2. HOLE DIA—
 3. HOLE DIA—
 ANGLES—
 MATERIAL—
 FINISH—
 TIN PLATE
 0.00254L [0.00100] MIN
 THK PER MIL-T-10727

DR 3-2-93 TA BRINKMAN	NAME	AMP
CHK 3-2-93 DA PATTERSON	TERMINAL, FLANGED SPADE, BUDGET	AMP Incorporated Harrisburg, PA 17105-3508
APPD 3-2-93 DE MILLER	SIZE	00779
APPD 3-2-93 JL NECKLEY	CAGE CODE	322776
PRODUCT SPEC	DRAWING NO	322776
APPLICATION SPEC	SCALE	10:1
WEIGHT	SHEET	1 OF 1

X-ON Electronics

Largest Supplier of Electrical and Electronic Components

Click to view similar products for [Terminals](#) category:

Click to view products by [TE Connectivity](#) manufacturer:

Other Similar products are found below :

[00-054007-01074-6](#) [00-054007-70206-1](#) [00-054007-70210-8](#) [00-054007-70217-7](#) [00-054007-70226-9](#) [00-054007-70228-3](#) [00-054007-70248-1](#) [00-054007-70256-6](#) [00-054007-70301-3](#) [00-054007-70316-7](#) [0-0320562-0](#) [00-054007-49560-4](#) [00-054007-70209-2](#) [00-054007-70225-2](#) [00-054007-70227-6](#) [00-054007-70231-3](#) [00-054007-70241-2](#) [00-054007-70242-9](#) [00-054007-70244-3](#) [00-054007-70246-7](#) [00-054007-70263-4](#) [00-054007-70288-7](#) [00-054007-70290-0](#) [00-054007-70300-6](#) [00-054007-70304-4](#) [01-2065-1-0216](#) [01-2900-1-04412](#) [00581P0075](#) [600TS-10](#) [60205-1](#) [604200-1](#) [605601-1](#) [60598-1-CUT-TAPE](#) [61314-6-C](#) [61810-3](#) [61-S](#) [61-SN](#) [626-0194](#) [62-NBM-A](#) [62-SN](#) [62-SP](#) [63-S](#) [640179-1](#) [M55155/059I03](#) [M55155/079C01](#) [M55155/099H02](#) [M55155/109H01](#) [M55155/109H02](#) [M55155/12XH05](#) [M55155/16XH02](#)