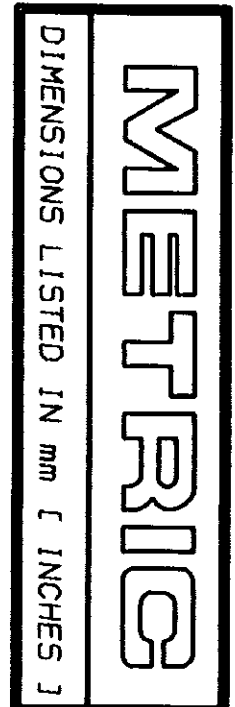
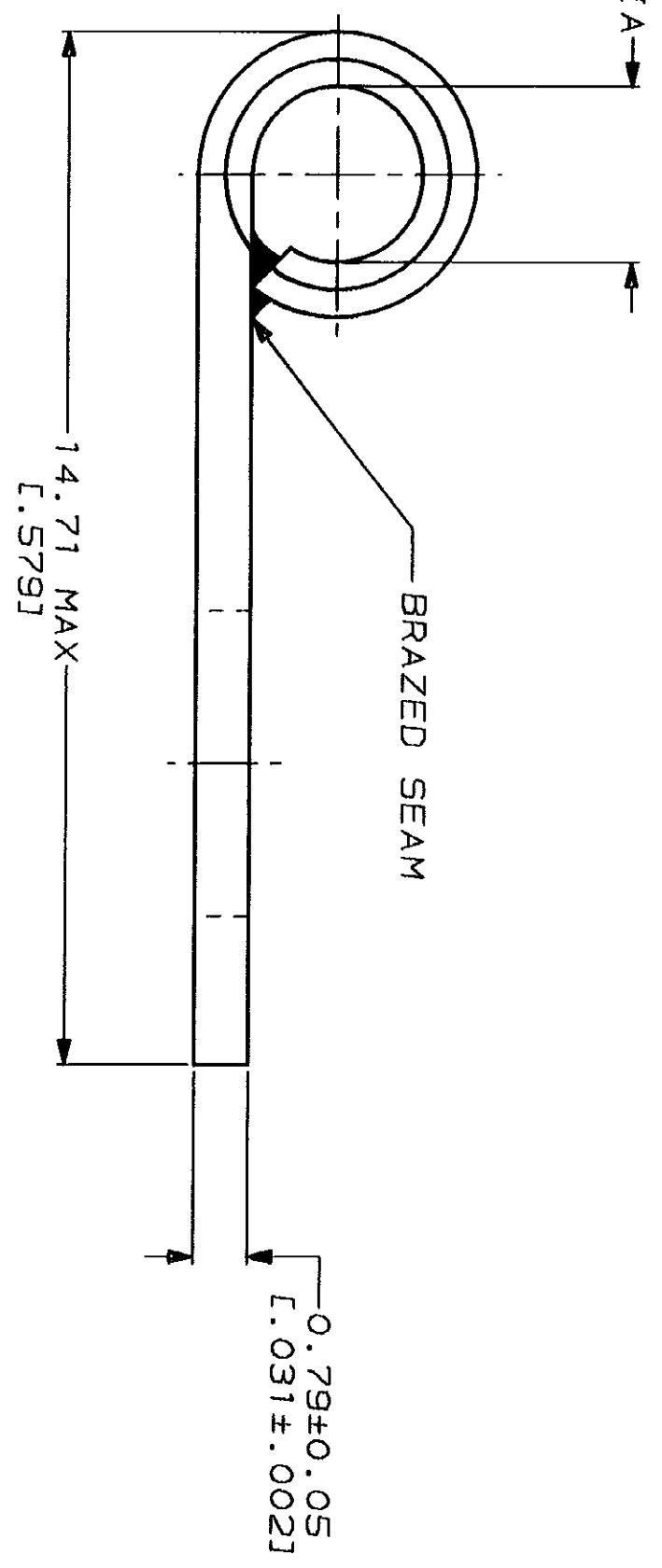
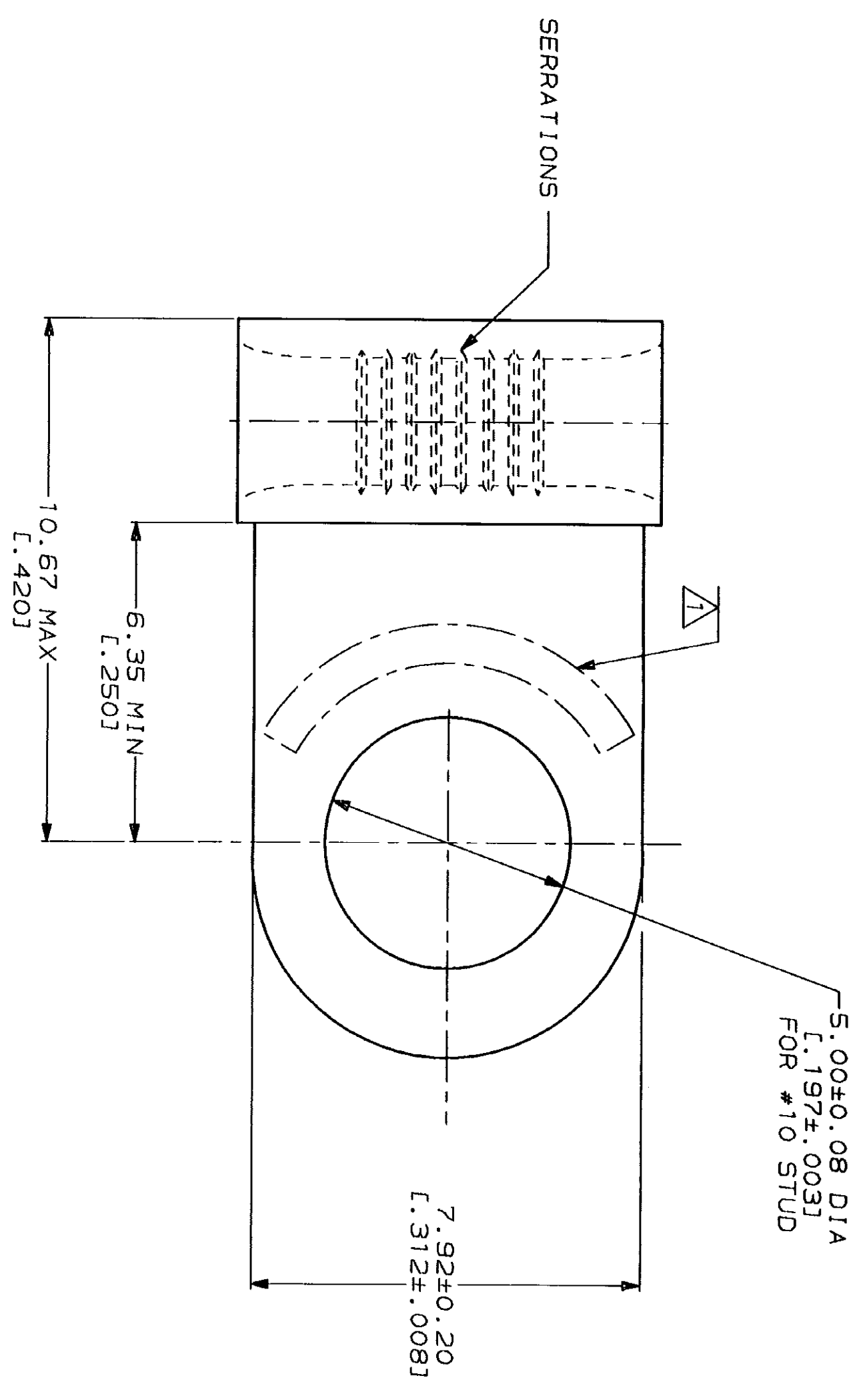


LOC	DIST	REV	DESCRIPTION	DATE	APPRO
G	14	E	REV & REDRAWN PER 0720-0040-93	3-30-93	AMP



<b>AMP</b> WIRE RANGE	<b>UL</b> E13288 Listed
16-14 AWG SOLID OR STRANDED	16-14 AWG SOLID OR STRANDED
<b>LR7189</b> Certified	MILITARY P/N AND CLASS
16-14 AWG SOLID OR STRANDED	NOT APPLICABLE

△ STAMP AMP 16-14\* APPROX AS SHOWN



<b>AMP INCORPORATED</b>		<b>MAX RECOMMENDED OPERATING TEMPERATURE:</b> 170°C MAX	
<b>CUSTOMER SERVICE SYSTEMS</b>		<b>VOLTAGE RATING:</b> NOT APPLICABLE	
FOR ADDITIONAL PRODUCT INFORMATION OR COPIES OF DRAWINGS AND TECHNICAL DOCUMENTS	PRODUCT INFORMATION CENTER 1-800-522-6752	WIRE CROSS SECTIONAL AREA RANGE: 1.04-2.62mm <sup>2</sup> [2,050-5,180] CIR MILS SOLID OR STRANDED	
FOR APPLICATION TOOLING INFORMATION	TOOLING ASSISTANCE CENTER 1-800-722-1111	FINISH TIN PLATE 0.00254 [L.000100] MIN THK PER MIL-T-10727	
FOR ORDER ENTRY	1-800-526-5142	DR 3-30-93 TA BRINKMAN CHK 3-30-93 DA PATTERSON APPD 3-30-93 DE MILLER APPD 3-30-93 JL MECKLEY PRODUCT SPEC	

DO NOT SCALE PRINT. UNLESS SPECIFIED DIMENSIONS IN mm [INCHES] TOLERANCES ON: 1. PLG DEC # 2. PLG DEC # 3. PLG DEC # ANGLES		NAME <b>AMP</b> AMP Incorporated Harrisburg, PA 17105-3608	
MATERIAL COPPER PER ASTM B-152 ANNEALED		TERMINAL, RING TONGUE, FLAG, SOLISTRAND™	
APPLICATION SPEC		SIZE CAGE CODE 00779	DRAWING NO 322819
WEIGHT		SCALE 10:1	SHEET 1 OF 1

## X-ON Electronics

Largest Supplier of Electrical and Electronic Components

*Click to view similar products for [Terminals](#) category:*

*Click to view products by [TE Connectivity](#) manufacturer:*

Other Similar products are found below :

[00-054007-01074-6](#) [00-054007-70206-1](#) [00-054007-70210-8](#) [00-054007-70217-7](#) [00-054007-70226-9](#) [00-054007-70228-3](#) [00-054007-70248-1](#) [00-054007-70256-6](#) [00-054007-70301-3](#) [00-054007-70316-7](#) [00-054007-49560-4](#) [00-054007-70209-2](#) [00-054007-70225-2](#) [00-054007-70227-6](#) [00-054007-70231-3](#) [00-054007-70241-2](#) [00-054007-70242-9](#) [00-054007-70244-3](#) [00-054007-70246-7](#) [00-054007-70263-4](#) [00-054007-70288-7](#) [00-054007-70290-0](#) [00-054007-70300-6](#) [00-054007-70304-4](#) [01-2065-1-0216](#) [01-2900-1-04412](#) [00581P0075](#) [600TS-10](#) [60205-1](#) [604200-1](#) [605601-1](#) [60598-1-CUT-TAPE](#) [61314-6-C](#) [61810-3](#) [61-S](#) [61-SN](#) [626-0194](#) [62-NBM-A](#) [62-SN](#) [62-SP](#) [63-S](#) [640179-1](#) [M55155/059I03](#) [M55155/079C01](#) [M55155/099H02](#) [M55155/109H01](#) [M55155/109H02](#) [M55155/12XH05](#) [M55155/16XH02](#) [M55155/29-5S](#)