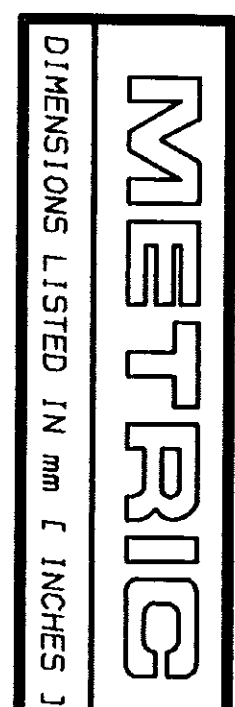
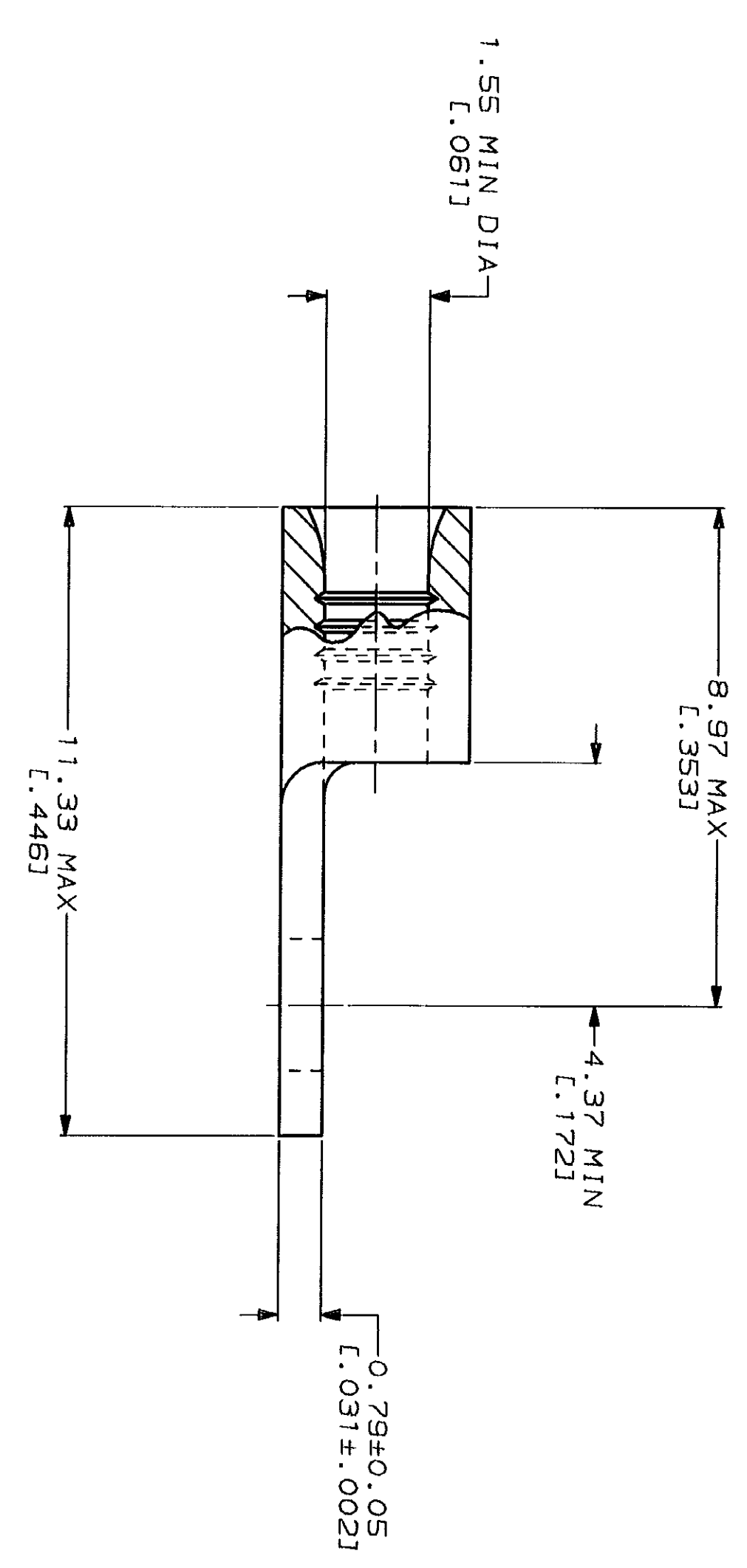
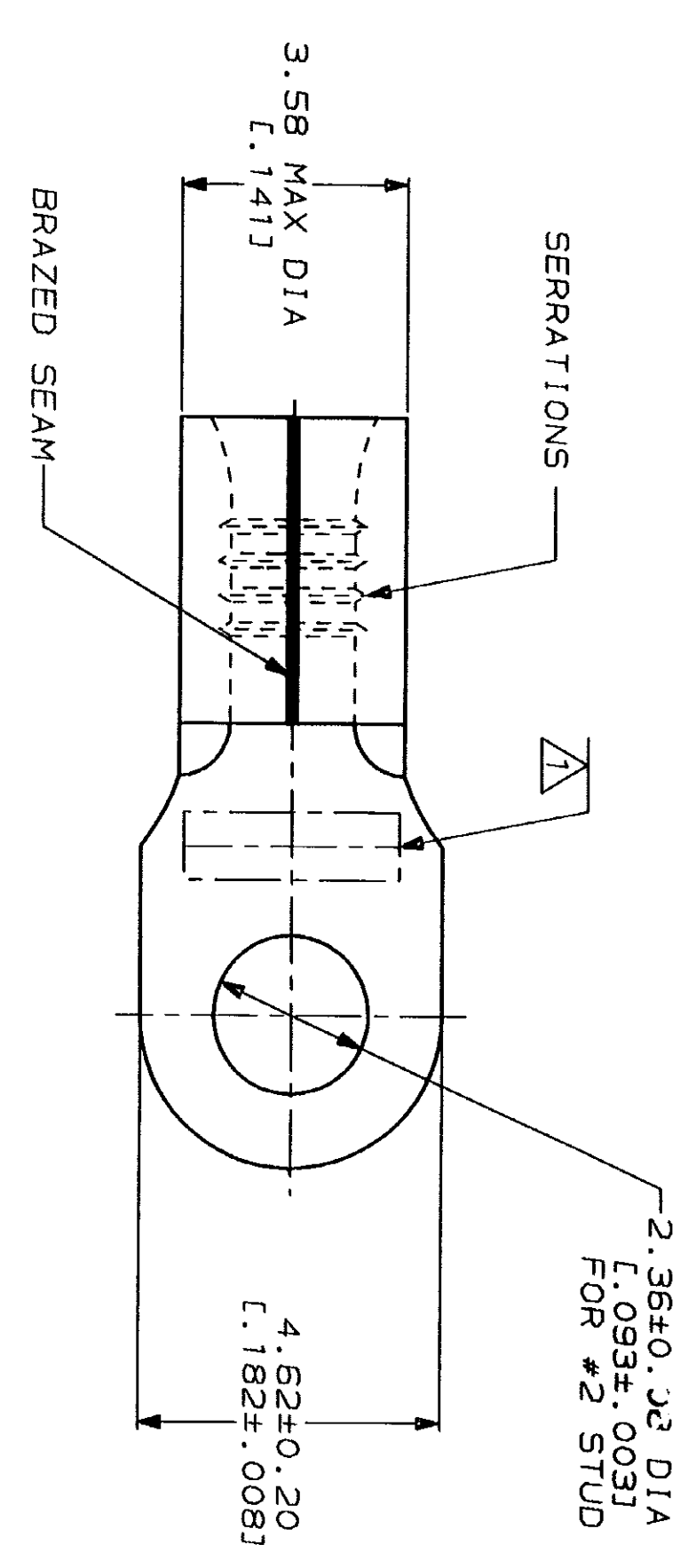


| LOC | DIST | REV | DESCRIPTION                    | DATE   | APPD |
|-----|------|-----|--------------------------------|--------|------|
| G   | 14   | P   | REV 8 REDRAWN PER 0720-0040-93 | 2-2-93 | JL   |



|                                |                                |
|--------------------------------|--------------------------------|
| <b>AMP</b><br>WIRE RANGE       | <b>IL</b><br>E13288<br>Listed  |
| 22-16 AWG<br>SOLID OR STRANDED | 22-16 AWG<br>SOLID OR STRANDED |
| <b>LR7189</b><br>Certified     | MILITARY P/N<br>AND CLASS      |
| 22-16 AWG<br>SOLID OR STRANDED | NOT APPLICABLE                 |

△ STAMP AMP 22-18\* APPROX AS SHOWN  
 22-16 TERMINALS ARE STAMPED 22-18 IN  
 ACCORDANCE WITH MILITARY SPECIFICATION  
 MIL-T-7928, COMMERCIAL WIRE RANGE IS 22-16



**AMP INCORPORATED  
 CUSTOMER SERVICE SYSTEMS**

|  |  |
|--|--|
| FOR ADDITIONAL PRODUCT INFORMATION OR COPIES OF DRAWINGS AND TECHNICAL DOCUMENTS | PRODUCT INFORMATION CENTER<br>1-800-522-6752 |
| FOR APPLICATION TOOLING INFORMATION  | TOOLING ASSISTANCE CENTER<br>1-800-722-1111  |
| FOR ORDER ENTRY  | 1-800-526-5142                               |

MAX RECOMMENDED OPERATING TEMPERATURE: 170°C MAX  
 VOLTAGE RATING: NOT APPLICABLE  
 WIRE CROSS SECTIONAL AREA RANGE: 0.26-1.65mm<sup>2</sup> [509-3,260] CIR MILS  
 SOLID OR STRANDED

DO NOT SCALE PRINT. UNLESS SPECIFIED DIMENSIONS IN mm [INCHES] TOLERANCES ON: 2 PLC DEC ± - - 3 PLC DEC ± - - ANGLES

FINISH: TIN PLATE  
 0.00254 [L.000100] MIN THK PER MIL-T-10727

|                            |
|----------------------------|
| DR 2-2-93<br>TA BRINKMAN   |
| CHK 2-2-93<br>DA PATTERSON |
| APPD 2-2-93<br>DE MILLER   |
| APPD 2-2-93<br>JL NECKLEY  |

**AMP**  
 AMP Incorporated  
 Harrisburg, PA 17105-3608

TERMINAL, RING  
 TONGUE, SOLI STRAND™

|            |           |            |
|------------|-----------|------------|
| SIZE       | CAGE CODE | DRAWING NO |
| SCALE 10:1 | 00779     | 322927     |

322927  
 PART NO

## X-ON Electronics

Largest Supplier of Electrical and Electronic Components

*Click to view similar products for [Terminals](#) category:*

*Click to view products by [TE Connectivity](#) manufacturer:*

Other Similar products are found below :

[00-054007-01074-6](#) [00-054007-70206-1](#) [00-054007-70210-8](#) [00-054007-70217-7](#) [00-054007-70226-9](#) [00-054007-70228-3](#) [00-054007-70248-1](#) [00-054007-70256-6](#) [00-054007-70301-3](#) [00-054007-70316-7](#) [0-0320562-0](#) [00-054007-49560-4](#) [00-054007-70209-2](#) [00-054007-70225-2](#) [00-054007-70227-6](#) [00-054007-70231-3](#) [00-054007-70241-2](#) [00-054007-70242-9](#) [00-054007-70244-3](#) [00-054007-70246-7](#) [00-054007-70263-4](#) [00-054007-70288-7](#) [00-054007-70290-0](#) [00-054007-70300-6](#) [00-054007-70304-4](#) [01-2065-1-0216](#) [01-2900-1-04412](#) [00581P0075](#) [600TS-10](#) [60205-1](#) [604200-1](#) [605601-1](#) [60598-1-CUT-TAPE](#) [61314-6-C](#) [61810-3](#) [61-S](#) [61-SN](#) [626-0194](#) [62-NBM-A](#) [62-SN](#) [62-SP](#) [63-S](#) [640179-1](#) [M55155/059I03](#) [M55155/079C01](#) [M55155/099H02](#) [M55155/109H01](#) [M55155/109H02](#) [M55155/12XH05](#) [M55155/16XH02](#)