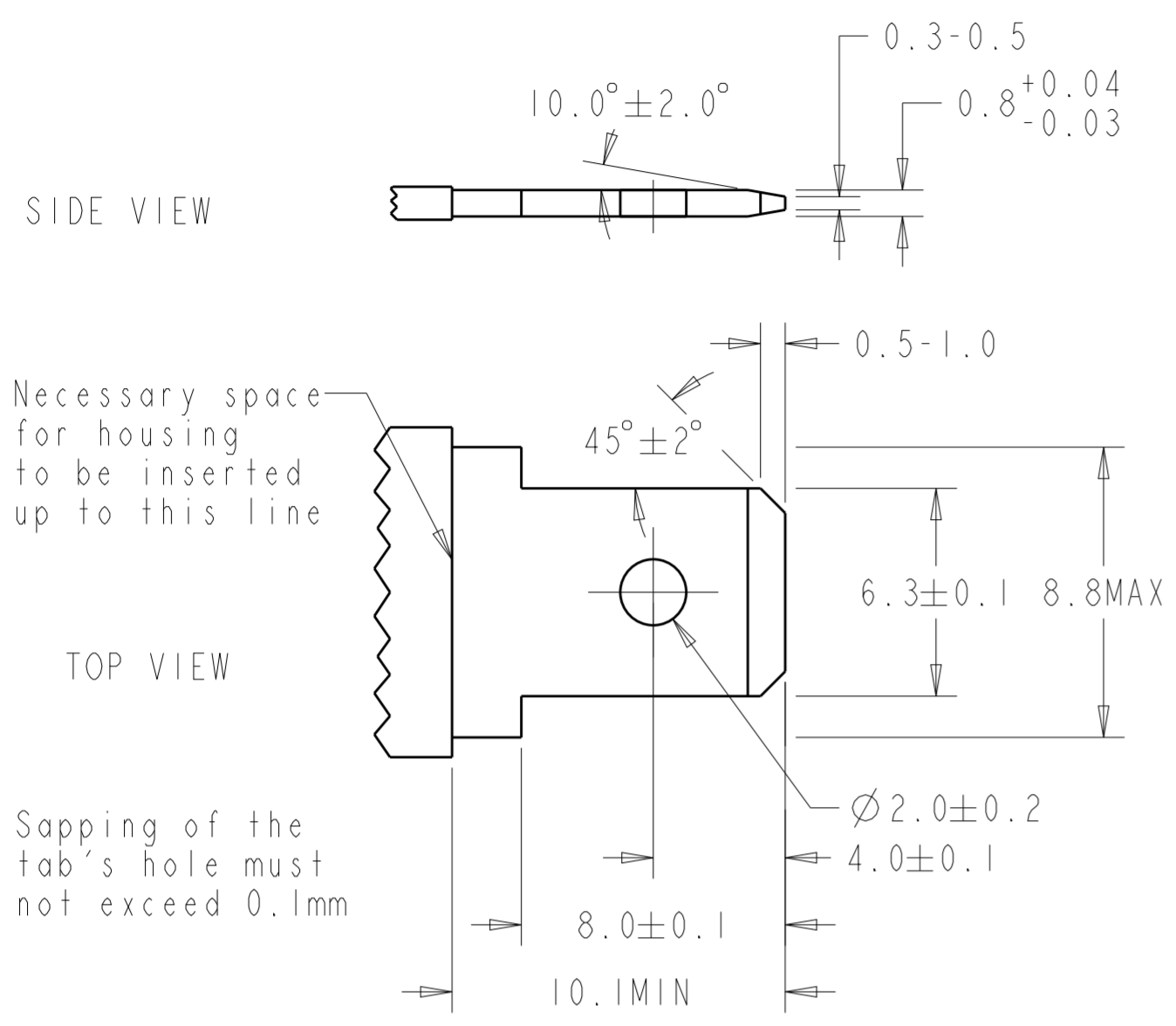


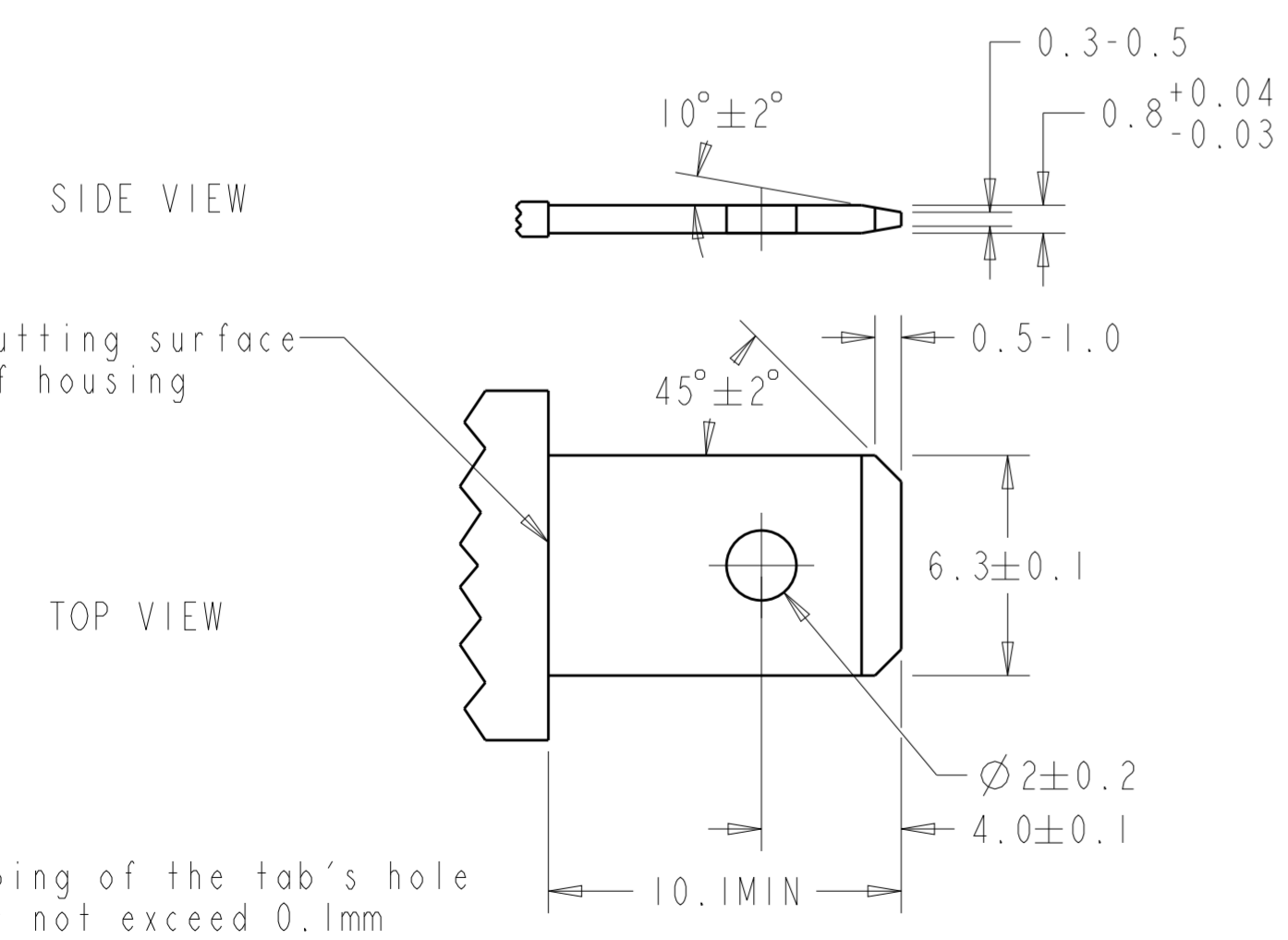
THIS DRAWING IS UNPUBLISHED. RELEASED FOR PUBLICATION 20
 © COPYRIGHT 20 BY - ALL RIGHTS RESERVED.

REVISIONS						
P	LTR	DESCRIPTION	DATE	DWN	APVD	
A8		ECR-20-010317	22JUL20	DT	EW	

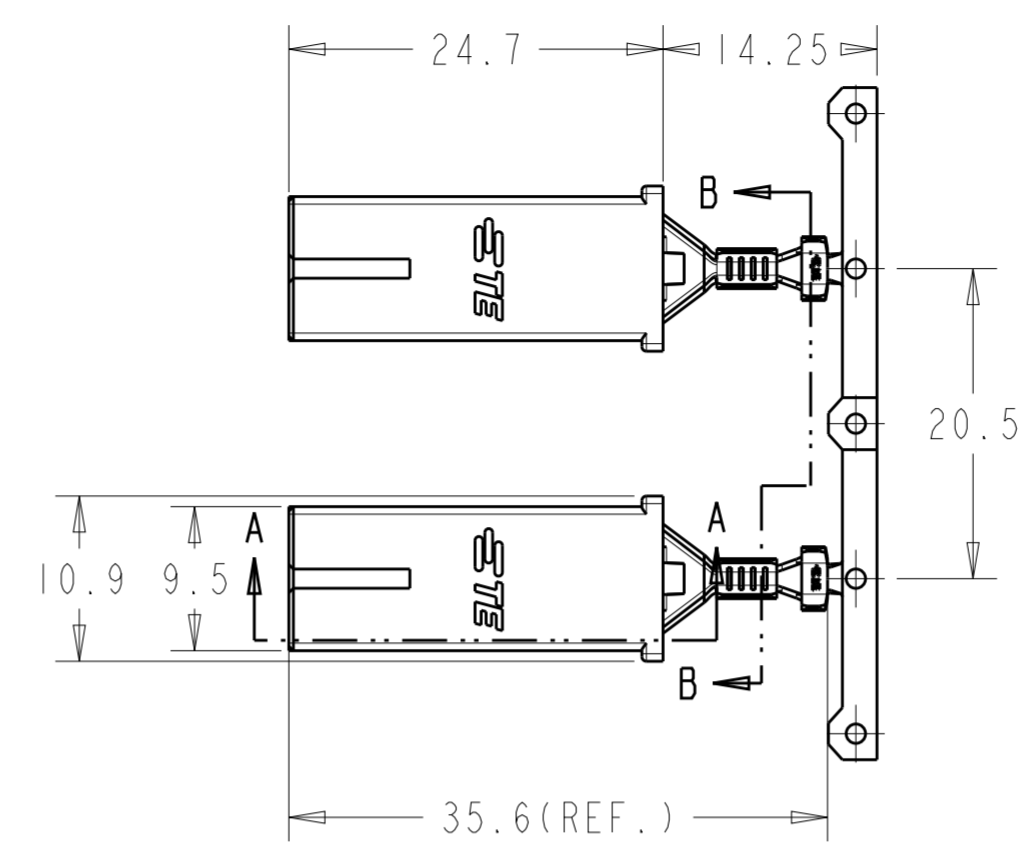
SUGGESTED MATING TAB



TYPE A (When using tab shoulder for butting)

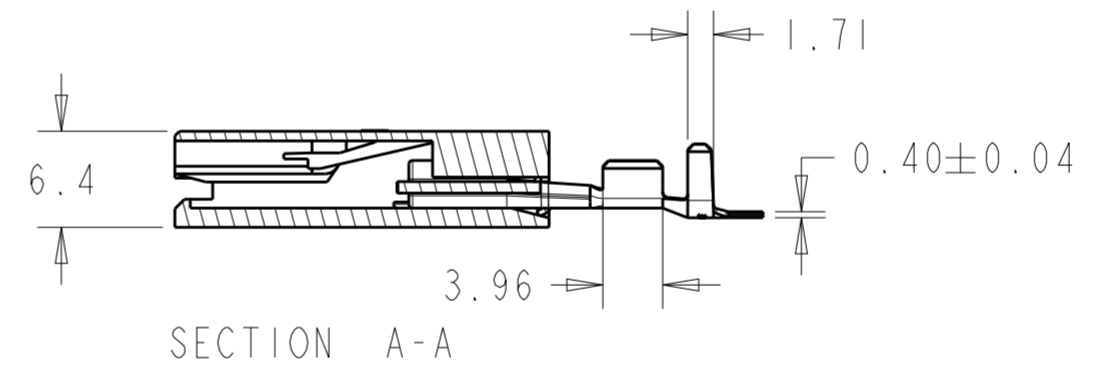
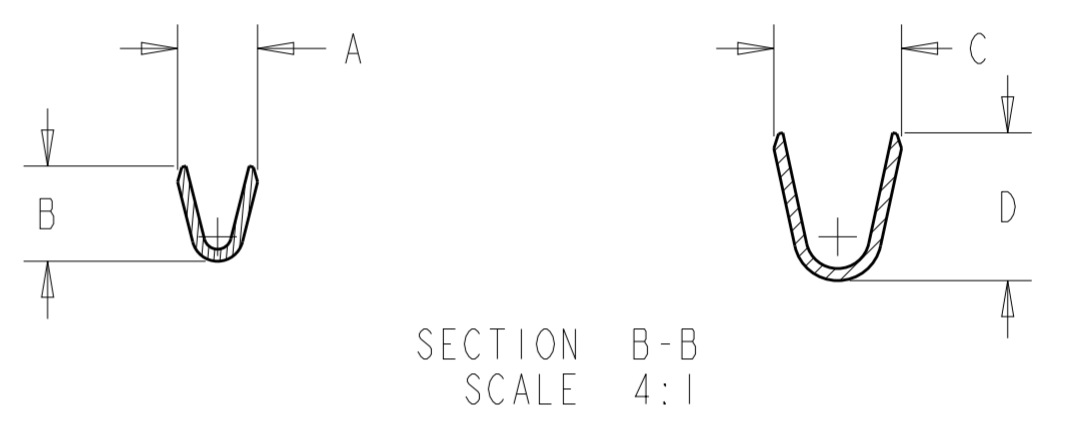


TYPE B (When using resin, etc. for butting)



NOTE:

1. HOUSING MATERIAL, NYLON 6/66, GLASS-FIBRE. UL94V-0.
2. GWT 750°C VERSION, ACCORDING TO IEC 60335-1.
3. CONTACT MATERIAL, TIN PLATED BRASS.
4. NEW PN WITH DIFFERENT PACKAGING QTY. AND SMALLER REELING SIZE (24in).



4	5.8REF.	6.2	4.5REF.	4.5	3.40-5.08	14-12	3-2299282-3
4	4.9REF.	5.3	3.9REF.	3.5	3.0-4.0	18-14	3-2299282-2
4	4.9REF.	4.2	3.1REF.	2.6	2.2-3.0	22-18	3-2299282-1
	5.8REF.	6.2	4.5REF.	4.5	3.40-5.08	14-12	2299282-3
	4.9REF.	5.3	3.9REF.	3.5	3.0-4.0	18-14	2299282-2
	4.9REF.	4.2	3.1REF.	2.6	2.2-3.0	22-18	2299282-1
	DIM D	DIM C	DIM B	DIM A	INSULATION(mm)	WIRE SIZE(AWG)	P/N

THIS DRAWING IS A CONTROLLED DOCUMENT.

DWN	LEI.PAN	14NOV2016
CHK	TIM.DING	14NOV2016
APVD	TIM.DING	14NOV2016
PRODUCT SPEC	108-106262	
APPLICATION SPEC	114-106262	
WEIGHT	-	
CUSTOMER DRAWING	SCALE	5:1

STE TE Connectivity

NAME: POD-LOK 250 STR.ASSY.

SIZE: A2 CAGE CODE: - DRAWING NO: C-2299282 RESTRICTED TO: -

SHEET 1 OF 1 REV A8

X-ON Electronics

Largest Supplier of Electrical and Electronic Components

Click to view similar products for [Terminals category](#):

Click to view products by [TE Connectivity manufacturer](#):

Other Similar products are found below :

[00-054007-01074-6](#) [00-054007-70206-1](#) [00-054007-70210-8](#) [00-054007-70217-7](#) [00-054007-70228-3](#) [00-054007-70256-6](#) [00-054007-70316-7](#) [00-054007-49560-4](#) [00-054007-70209-2](#) [00-054007-70231-3](#) [00-054007-70241-2](#) [00-054007-70242-9](#) [00-054007-70246-7](#) [00-054007-70263-4](#) [00-054007-70288-7](#) [00-054007-70290-0](#) [00-054007-70300-6](#) [00-054007-70304-4](#) [01-2900-1-04412](#) [00581P0075](#) [600TS-10](#) [605601-1](#) [60598-1-CUT-TAPE](#) [60617-1-C](#) [61314-6-C](#) [61810-3](#) [62149-1](#) [626-0194](#) [63-S](#) [M55155/059I03](#) [M55155/079C01](#) [M55155/099B03](#) [M55155/099H02](#) [M55155/109H01](#) [M55155/12XH05](#) [M55155/29-5S](#) [M55155/29XJ08](#) [M55155/30-6S](#) [M55155/30-9S](#) [M55155/30XI09](#) [M6-14RSX](#) [696683-1](#) [696861-1](#) [696999-1](#) [M86700006](#) [D18-110B-C](#) [D18-110B-M](#) [701-1936](#) [701-1955](#) [701-2003](#)