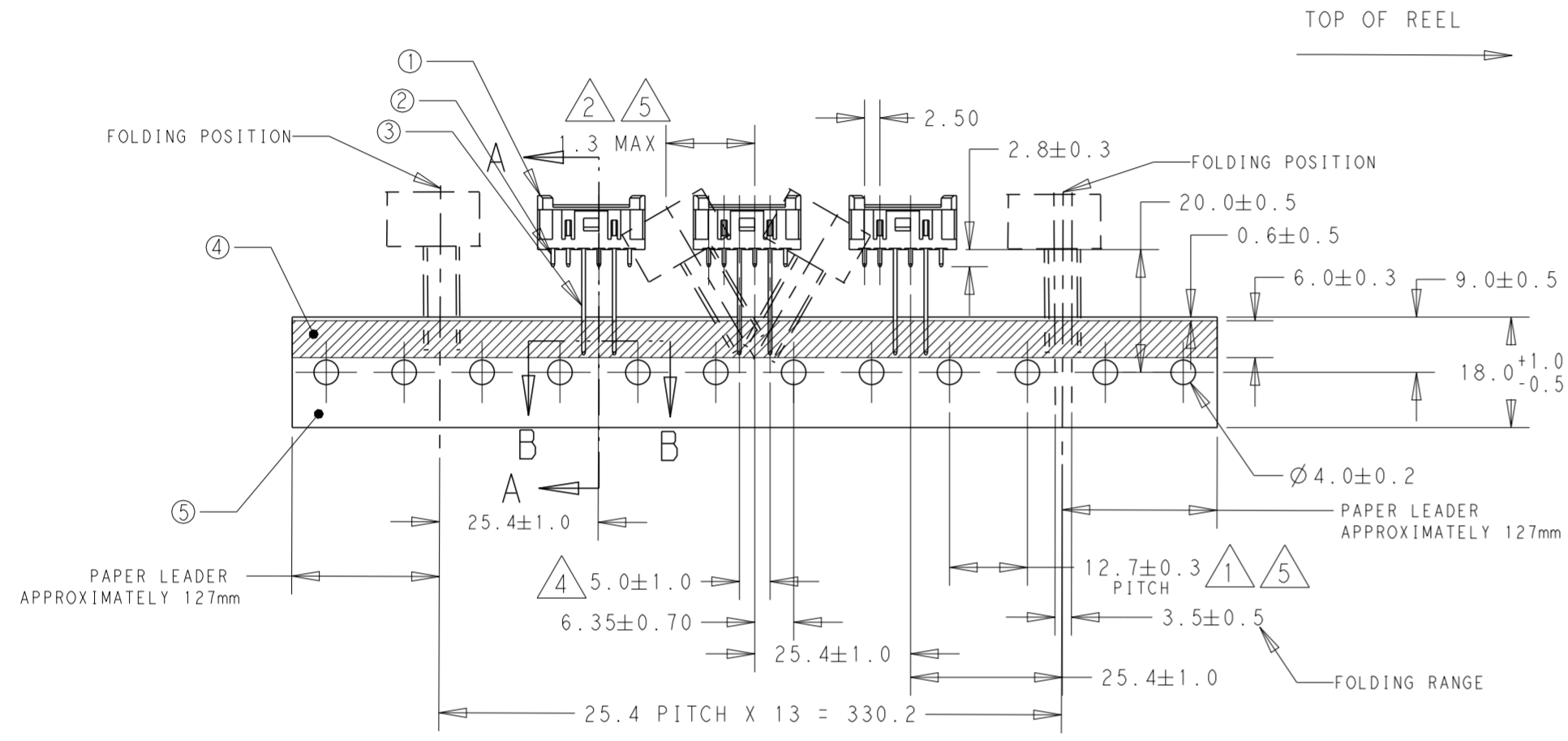
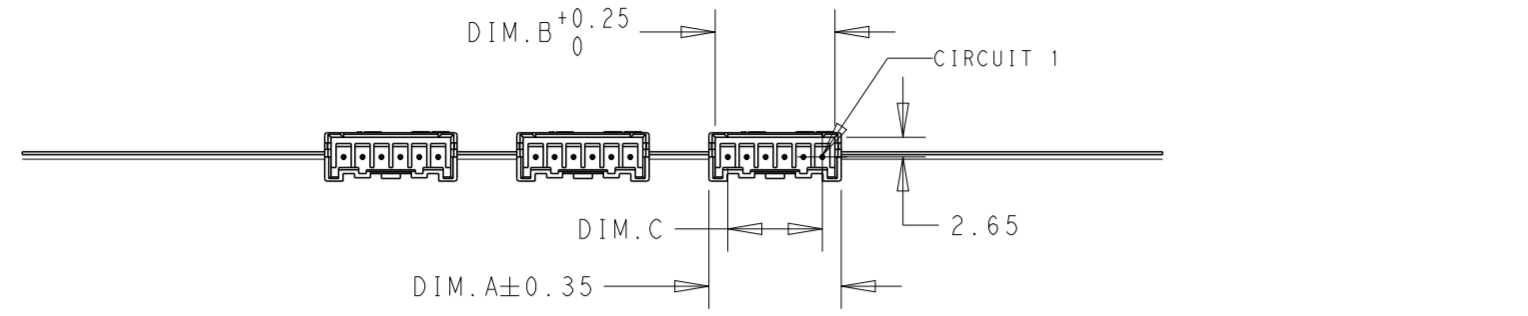


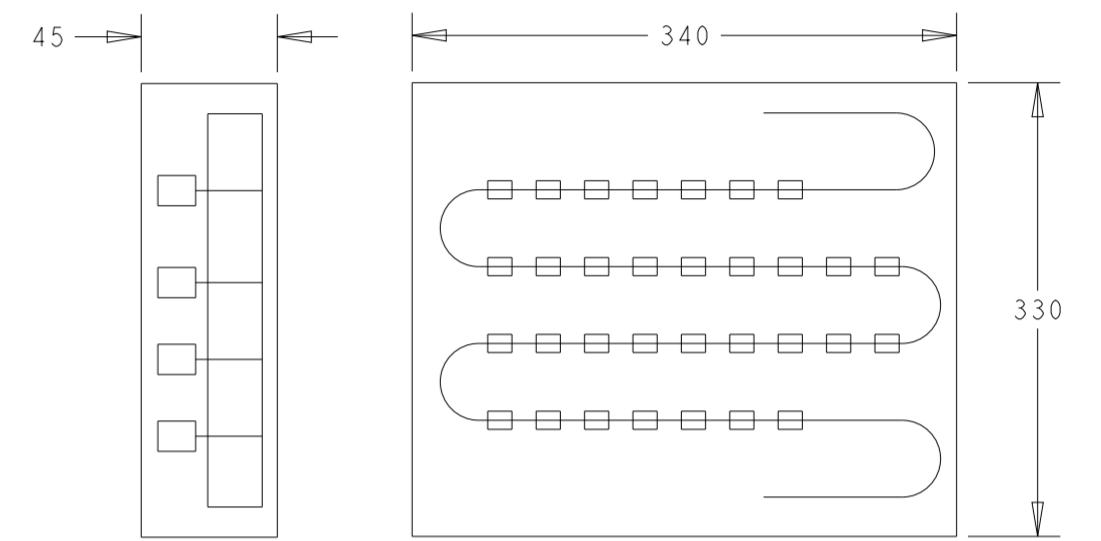
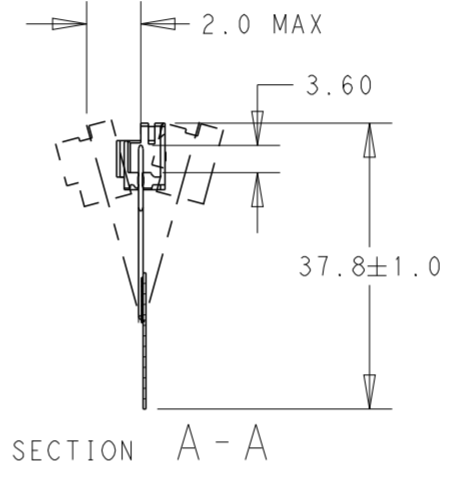
THIS DRAWING IS UNPUBLISHED. RELEASED FOR PUBLICATION
 © COPYRIGHT copyright.d8Te ALL RIGHTS RESERVED.

REVISIONS					
P	LTR	DESCRIPTION	DATE	DWN	APVD
	C	REVISED PER ECR-19-014653	21FEB2020	WH	DZ
	C1	REVISED PER ECR-20-100922	23DEC2020	SK	DZ

TAPING STYLE B: 4POS. THRU 8POS.

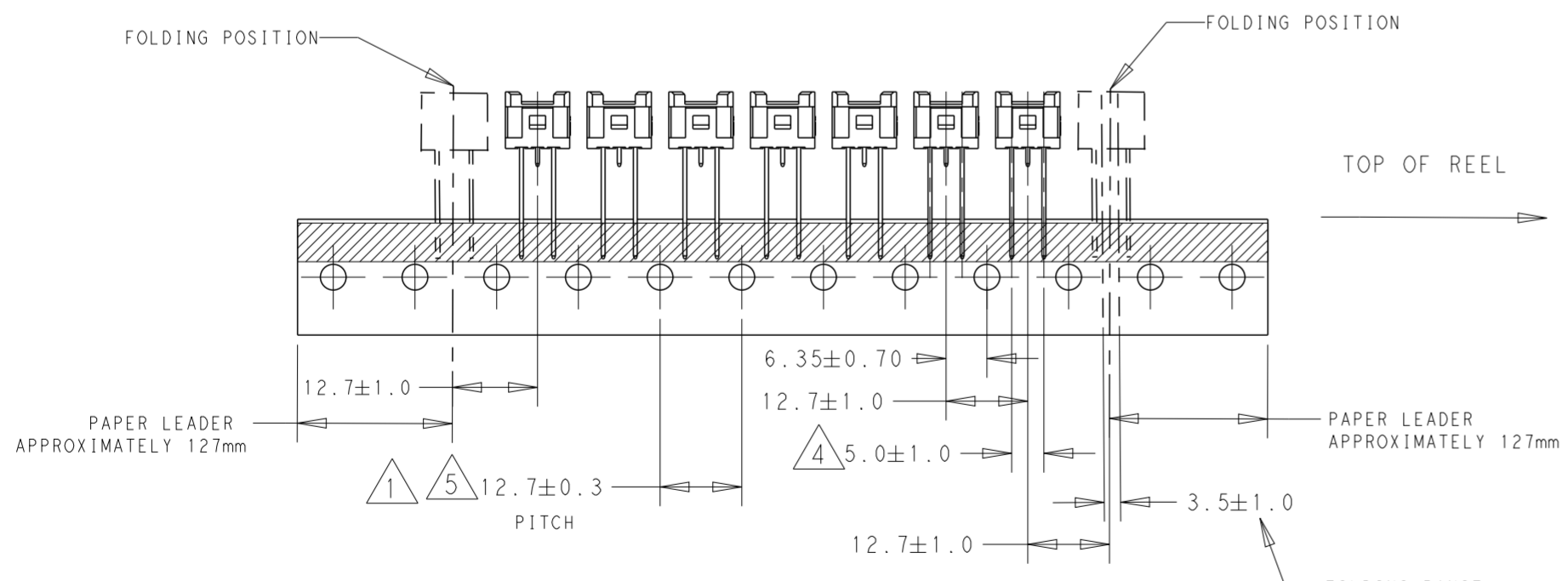


TO REPEAT TAPING ONE PIECE BLANK AFTER TAPING CONTINUOUSLY 12 CONN.

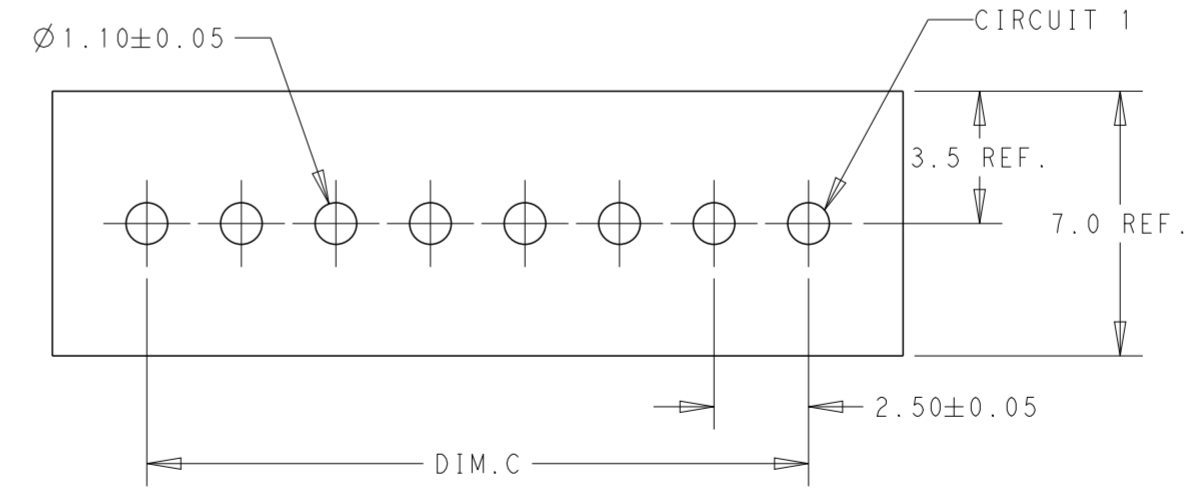
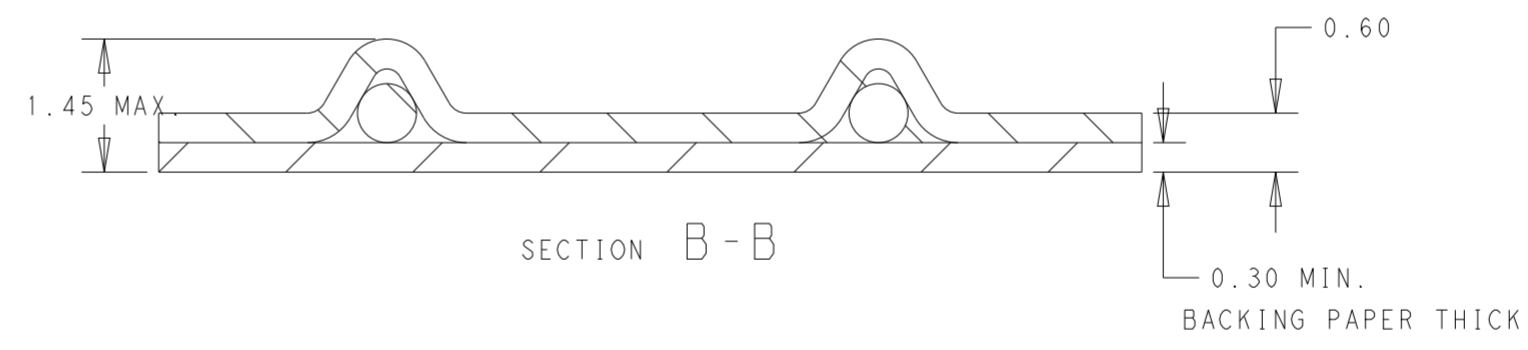


- 1 ACCUMULATING TOLERANCE: ±1.0mm/20 PITCH
- 2 MESURING POINT: AT TOP OF POST
- 3 TAPE MUST NOT PROTRUDE FROM BACKING PAPER
- 4 MESURING POINT, THE TOP OF TAPING AND THE CENTER LINE OF LEAD WIRE IN BETWEEN
- 5 BE BASED ON THE CENTER 12.7mm PITCH DIMENSION
- 6 NATURAL AND BLACK HEADER ASSEMBLIES ARE UL-1977 CERTIFIED

TAPING STYLE A: 2POS. AND 3POS.



TO REPEAT TAPING ONE PIECE BLANK AFTER TAPING CONTINUOUSLY 25 CONN.



RECOMMENDED PCB LAYOUT THICKNESS: 1.6mm

TABLE 1

NO.	NAME	MATERIAL
1	HDR HOUSING	THERMOPLASTIC, UL94V-0
2	POST CONTACT	BRASS, NICKEL UNDER PLATING, TIN PLATING ON PIN AREA
3	RADIAL PIN	TIN PLATING ON PIN AREA
4	RADIAL TAPE	THERMAL PAPER
5	BACKING PAPER	CRAFT PAPER

THIS DRAWING IS A CONTROLLED DOCUMENT.

DWN: OTIO CHEN 15FEB2016
 CHK: DANIEL 16FEB2016
 APVD: DANIEL 16FEB2016

TE Connectivity

NAME: HEADER ASSEMBLY, VERTICAL ECONOMY POWER, 2.5mm CENTERLINE TAPING VERSION

SIZE: A2 CAGE CODE: 00779 DRAWING NO: C-2299683 RESTRICTED TO: -

MATERIAL: SEE TABLE 1

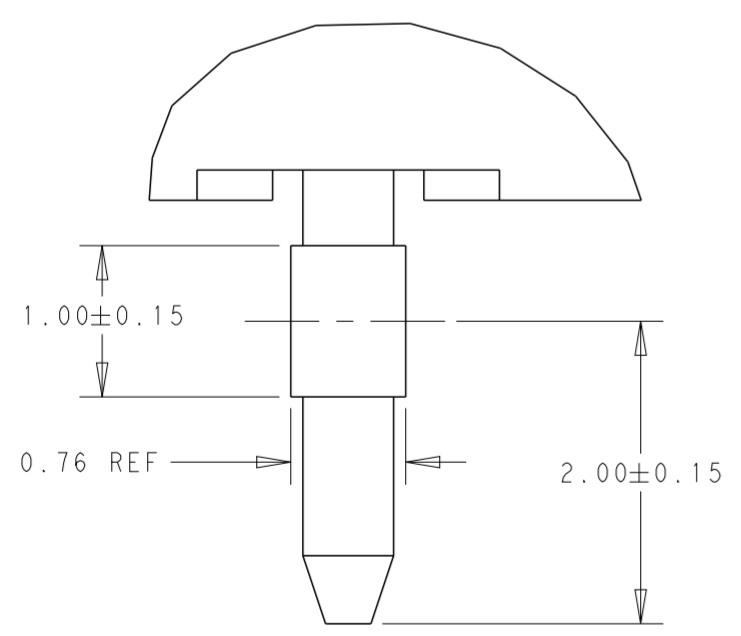
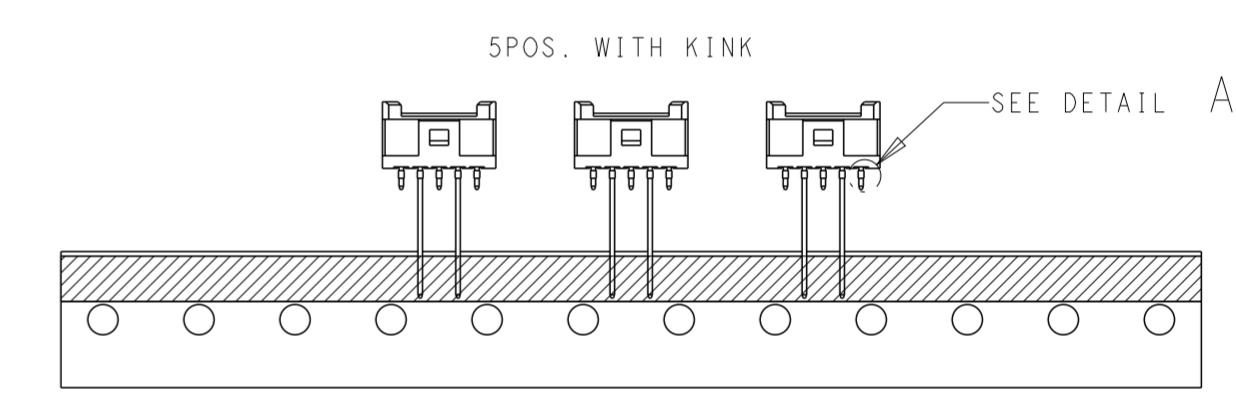
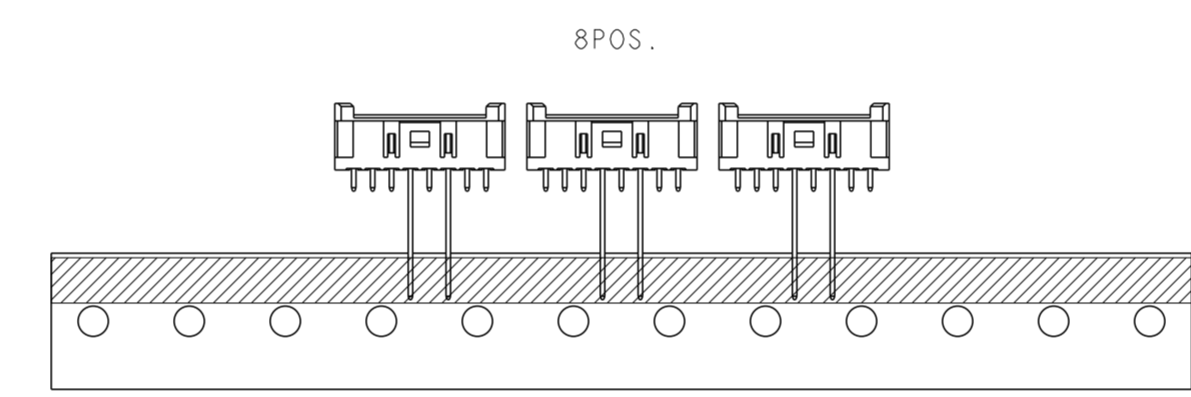
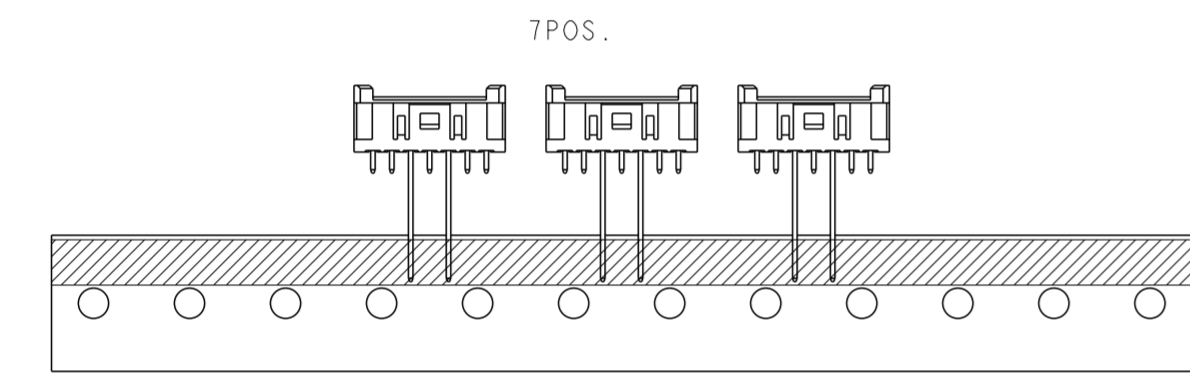
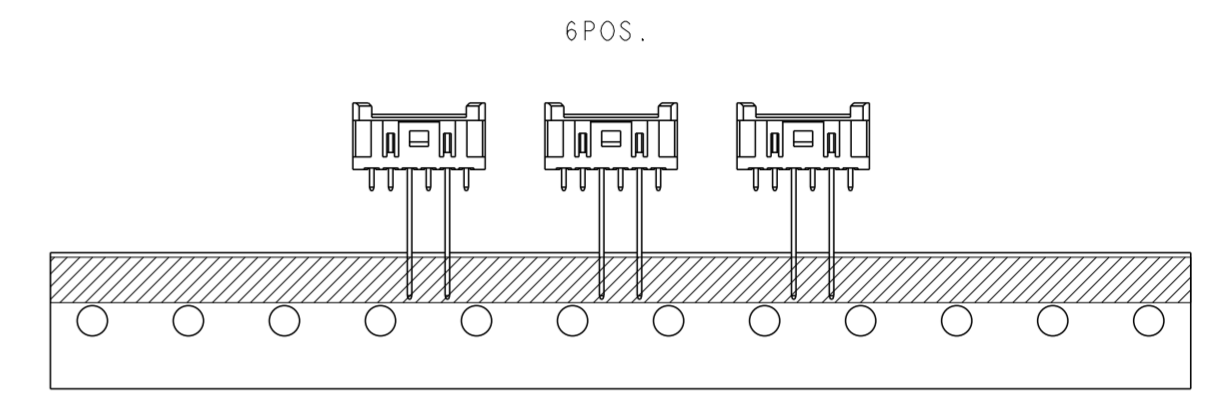
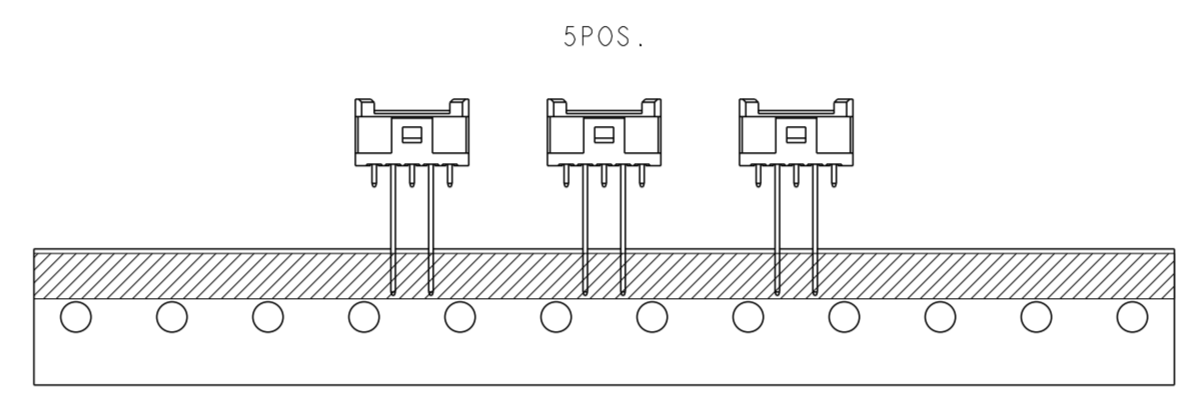
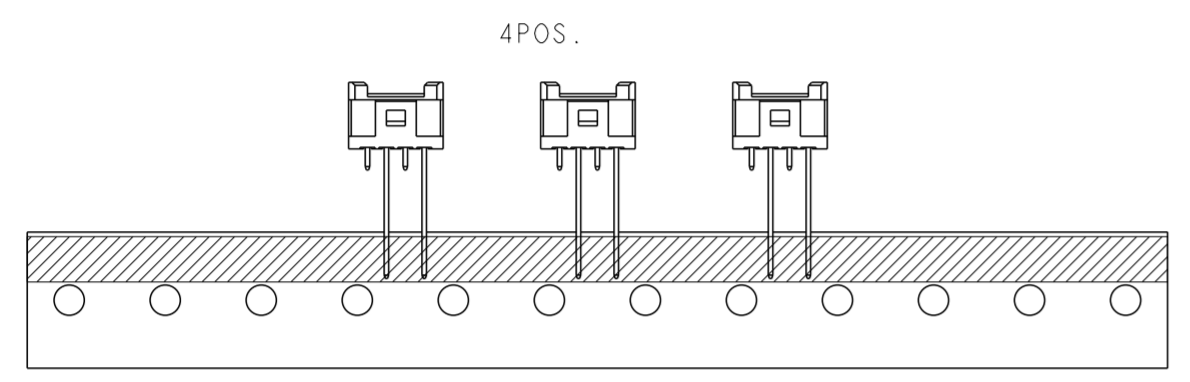
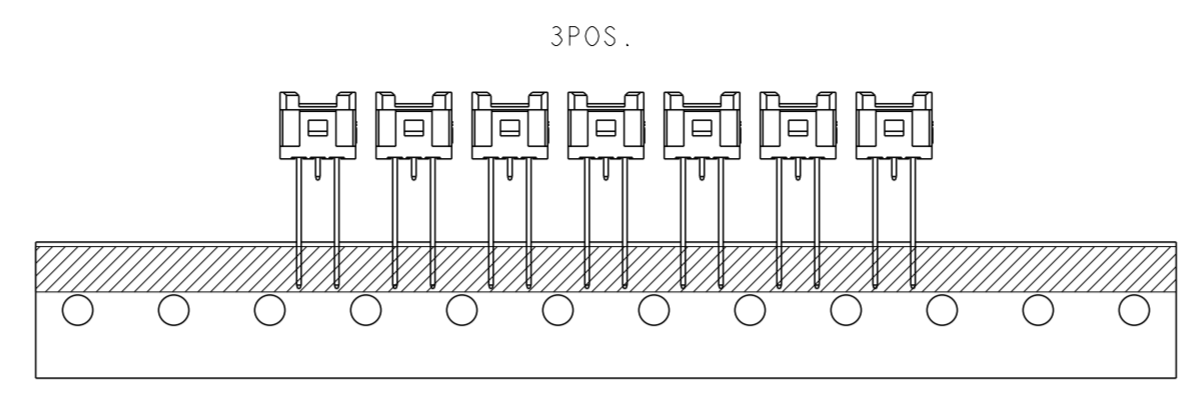
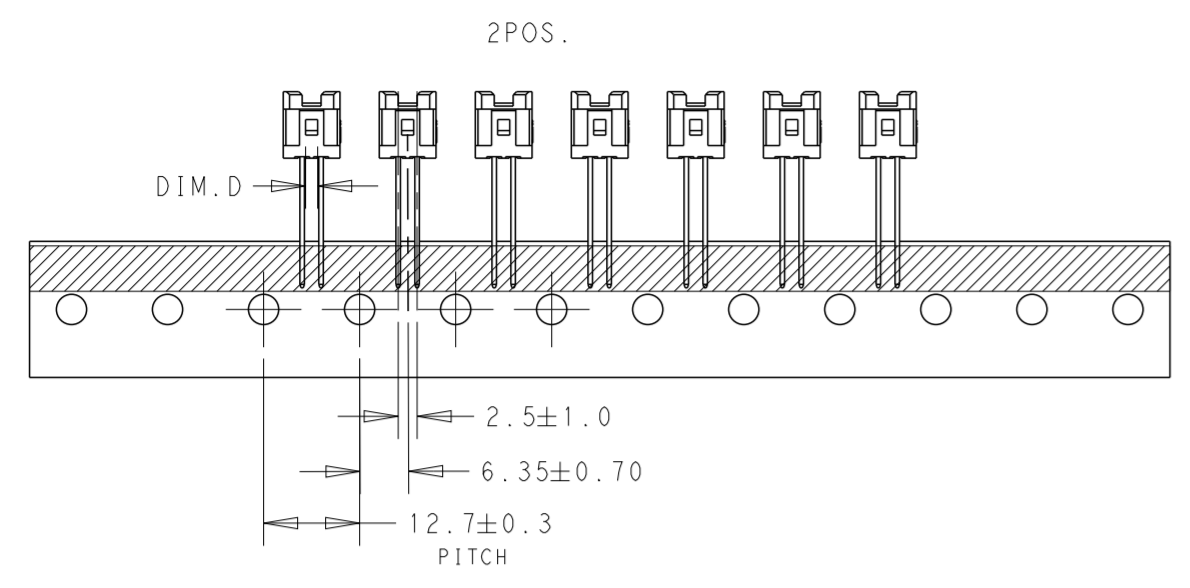
PRODUCT SPEC: 108-2418
 APPLICATION SPEC: 114-13315

WEIGHT: -

CUSTOMER DRAWING SCALE: N/A SHEET: 1 OF 2 REV: C1

THIS DRAWING IS UNPUBLISHED. RELEASED FOR PUBLICATION
 © COPYRIGHT copyright.dBTe- ALL RIGHTS RESERVED.

REVISIONS					
P	LTR	DESCRIPTION	DATE	DWN	APVD
-	-	SEE SHEET 1	-	-	-



DETAIL A
SCALE 20:1

TAPING STYLE	QTY	SOLDER TAIL SHAPE	DIM.D	DIM.C	DIM.B	DIM.A	POS.	PART NO (NATURAL COLOR)	PART NO (RED COLOR)	PART NO (BLUE COLOR)	PART NO (BLACK COLOR)	PART NO (YELLOW COLOR)	PART NO (GREEN COLOR)
B	450	WITHOUT KINK	2.50	17.50	20.83	22.50	8	2299683-8	1-2299683-8	2-2299683-8	3-2299683-8	4-2299683-8	5-2299683-8
B	450	WITHOUT KINK	2.50	15.00	18.33	20.00	7	2299683-7	1-2299683-7	2-2299683-7	3-2299683-7	4-2299683-7	5-2299683-7
B	450	WITHOUT KINK	2.50	12.50	15.83	17.50	6	2299683-6	1-2299683-6	2-2299683-6	3-2299683-6	4-2299683-6	5-2299683-6
B	450	WITHOUT KINK	2.50	10.00	13.33	15.00	5	2299683-9	1-2299683-9	2-2299683-9	3-2299683-9	4-2299683-9	5-2299683-9
B	450	WITH KINK	2.50	10.00	13.33	15.00	5	2299683-5	1-2299683-5	2-2299683-5	3-2299683-5	4-2299683-5	5-2299683-5
B	450	WITHOUT KINK	2.50	7.50	10.83	12.50	4	2299683-4	1-2299683-4	2-2299683-4	3-2299683-4	4-2299683-4	5-2299683-4
A	900	WITHOUT KINK	2.50	5.00	8.33	10.00	3	2299683-3	1-2299683-3	2-2299683-3	3-2299683-3	4-2299683-3	5-2299683-3
A	900	WITHOUT KINK	1.60	2.50	5.83	7.50	2	2299683-2	1-2299683-2	2-2299683-2	3-2299683-2	4-2299683-2	5-2299683-2
A	900	WITHOUT KINK	0.85	2.50	5.83	7.50	2	2299683-1	1-2299683-1	2-2299683-1	3-2299683-1	4-2299683-1	5-2299683-1

THIS DRAWING IS A CONTROLLED DOCUMENT.

DWN: OTIO CHEN 15FEB2016
 CHK: DANIEL 16FEB2016
 APVD: DANIEL 16FEB2016

PRODUCT SPEC: 108-2418
 APPLICATION SPEC: 114-13315

NAME: HEADER ASSEMBLY, VERTICAL ECONOMY POWER, 2.5mm CENTERLINE TAPING VERSION

SIZE: A2 CAGE CODE: 00779 DRAWING NO: C-2299683

MATERIAL: SEE TABLE 1

WEIGHT: -

CUSTOMER DRAWING

RESTRICTED TO: -

SCALE: N/A SHEET 2 OF 2 REV: C1

X-ON Electronics

Largest Supplier of Electrical and Electronic Components

Click to view similar products for [Headers & Wire Housings](#) category:

Click to view products by [TE Connectivity](#) manufacturer:

Other Similar products are found below :

[892-18-020-10-001101](#) [58102-G61-06LF](#) [582553-1](#) [0009485154](#) [009176003701906](#) [0050291907](#) [LY20-4P-DT1-P1E-BR](#) [02.125.8002.8](#)
[609-3404](#) [61062-3](#) [61082-181009](#) [622-3653LF](#) [63453-116](#) [636-1030](#) [636-1427](#) [636-3427](#) [636-4007](#) [641938-9](#) [641991-4](#) [644827-2](#) [65817-](#)
[010LF](#) [65817-015LF](#) [65863-015LF](#) [66207-023LF](#) [67095-007LF](#) [67601157](#) [68645-018](#) [68648-049](#) [70.362.1628.0](#) [70-4210](#) [70-4226B](#) [70-](#)
[4853B](#) [707-5020](#) [707-5028](#) [71.350.2428.0](#) [71918-208LF](#) [71961-016LF](#) [733-134](#) [733-162](#) [754199-000](#) [760-3052](#) [787-8014-00](#) [79531-3000](#)
[FCN-360C032-B](#) [FCN-367T-T012/H](#) [FCN-723D010/2](#) [80.063.4001.1](#) [800-90-001-10-001000](#) [800-90-010-10-002000](#) [801-43-002-10-013000](#)