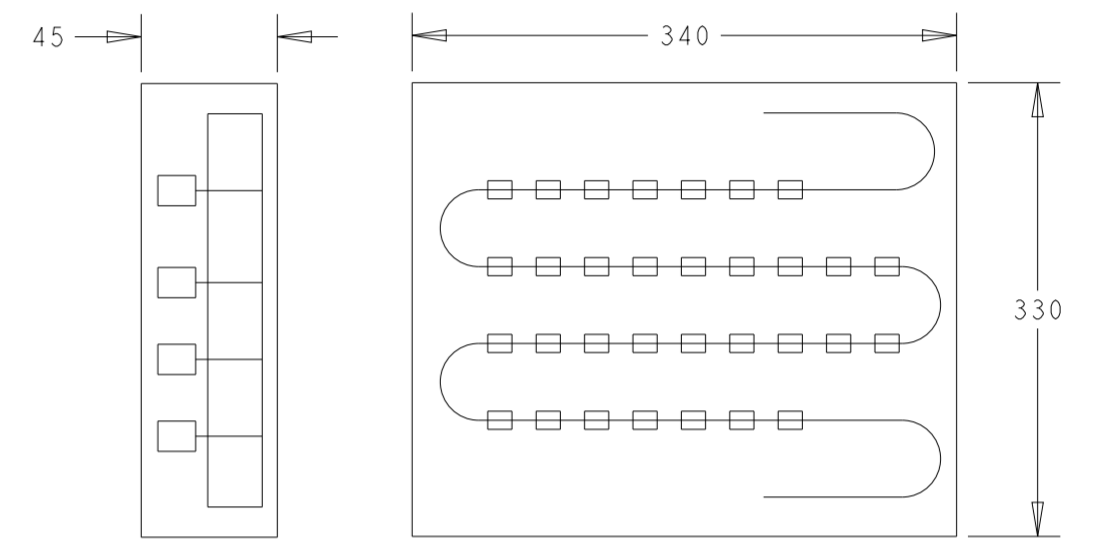
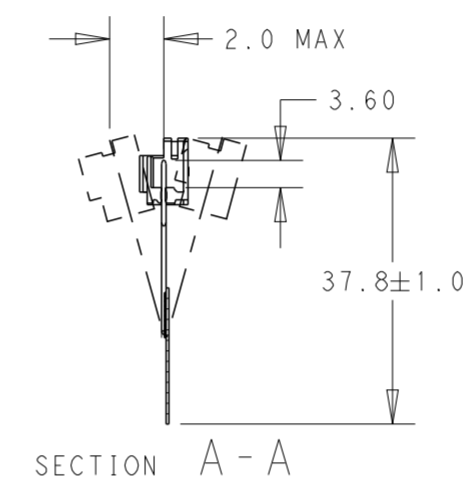
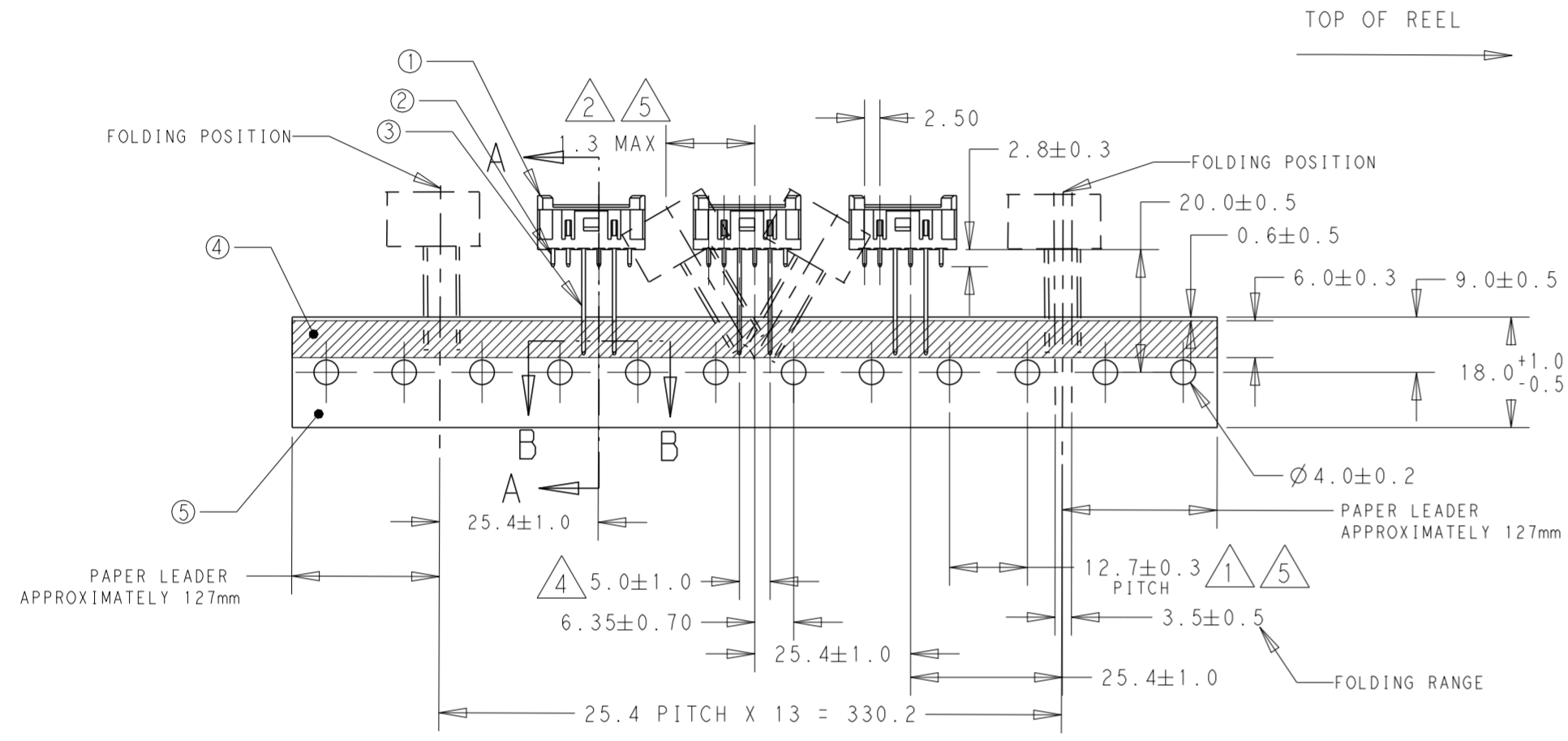
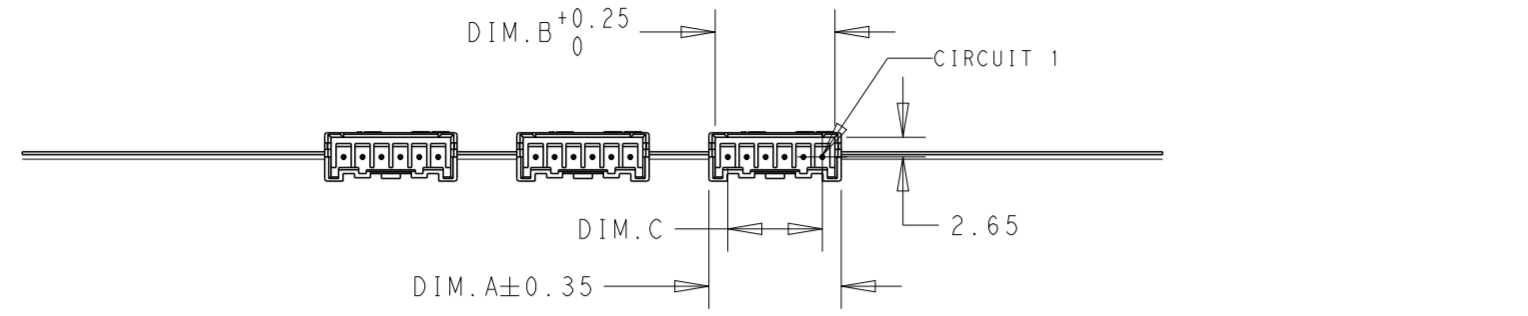


THIS DRAWING IS UNPUBLISHED. RELEASED FOR PUBLICATION
 © COPYRIGHT copyright.d8Te ALL RIGHTS RESERVED.

REVISIONS					
P	LTR	DESCRIPTION	DATE	DWN	APVD
	C	REVISED PER ECR-19-014653	21FEB2020	WH	DZ
	C1	REVISED PER ECR-20-100922	23DEC2020	SK	DZ

TAPING STYLE B: 4POS. THRU 8POS.



- 1 ACCUMULATING TOLERANCE: ±1.0mm/20 PITCH
- 2 MEASURING POINT: AT TOP OF POST
- 3 TAPE MUST NOT PROTRUDE FROM BACKING PAPER
- 4 MEASURING POINT, THE TOP OF TAPING AND THE CENTER LINE OF LEAD WIRE IN BETWEEN
- 5 BE BASED ON THE CENTER 12.7mm PITCH DIMENSION
- 6 NATURAL AND BLACK HEADER ASSEMBLIES ARE UL-1977 CERTIFIED

TAPING STYLE A: 2POS. AND 3POS.

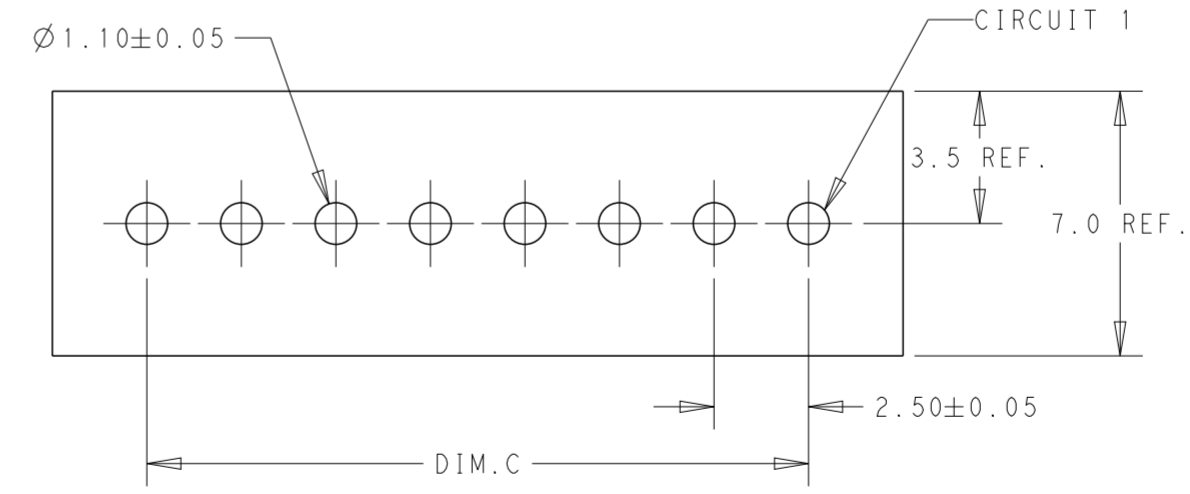
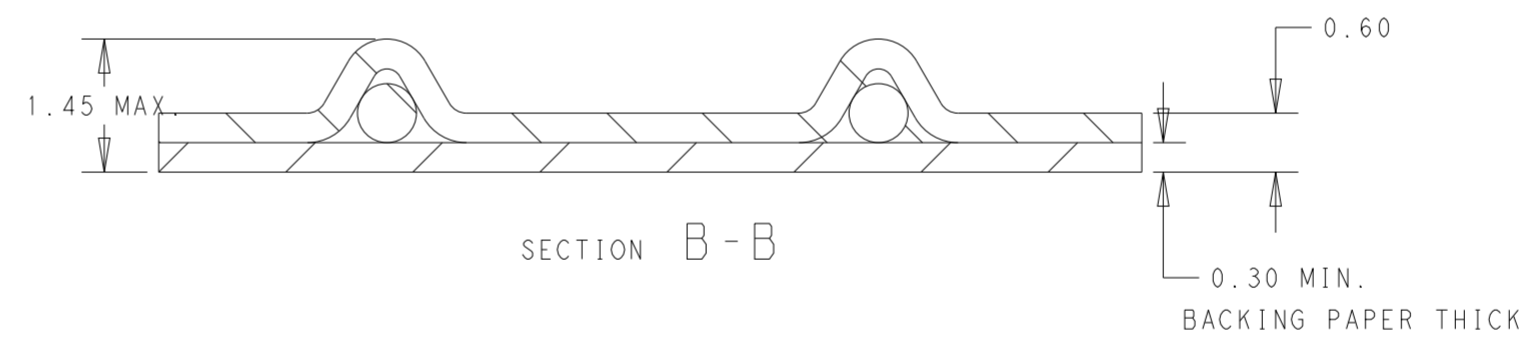
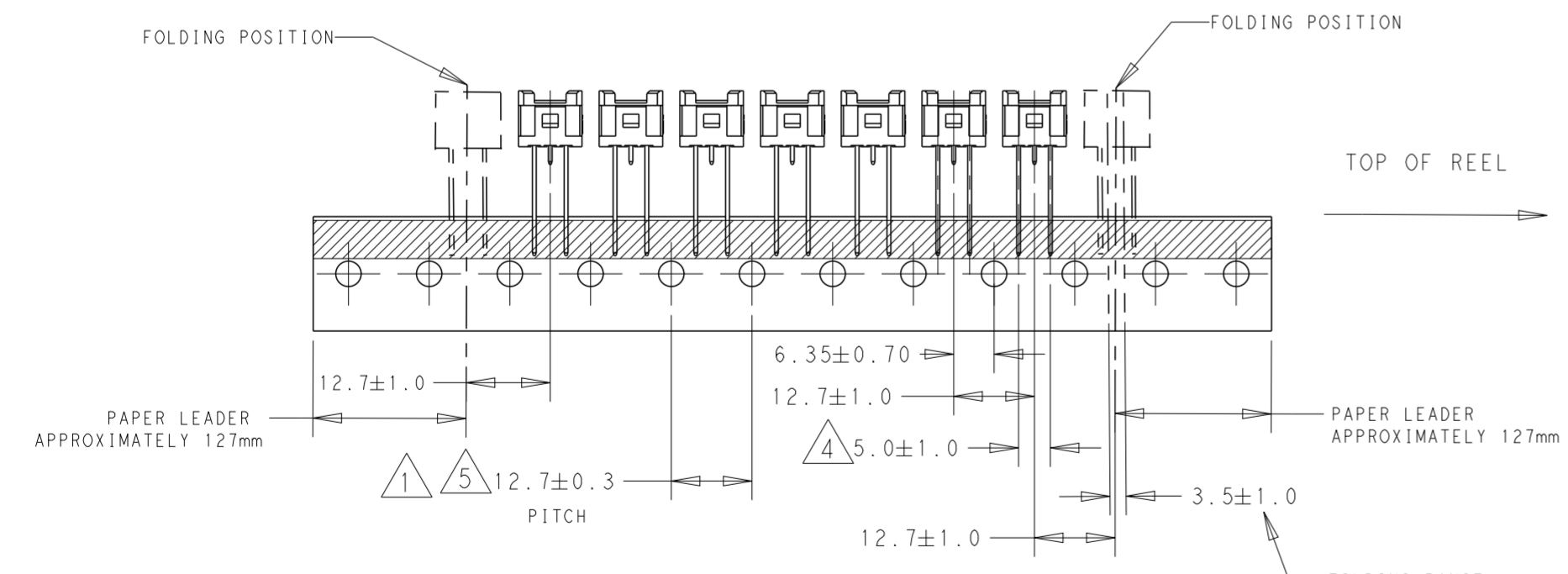


TABLE 1

NO.	NAME	MATERIAL
1	HDR HOUSING	THERMOPLASTIC, UL94V-0
2	POST CONTACT	BRASS, NICKEL UNDER PLATING, TIN PLATING ON PIN AREA
3	RADIAL PIN	TIN PLATING ON PIN AREA
4	RADIAL TAPE	THERMAL PAPER
5	BACKING PAPER	CRAFT PAPER

THIS DRAWING IS A CONTROLLED DOCUMENT.

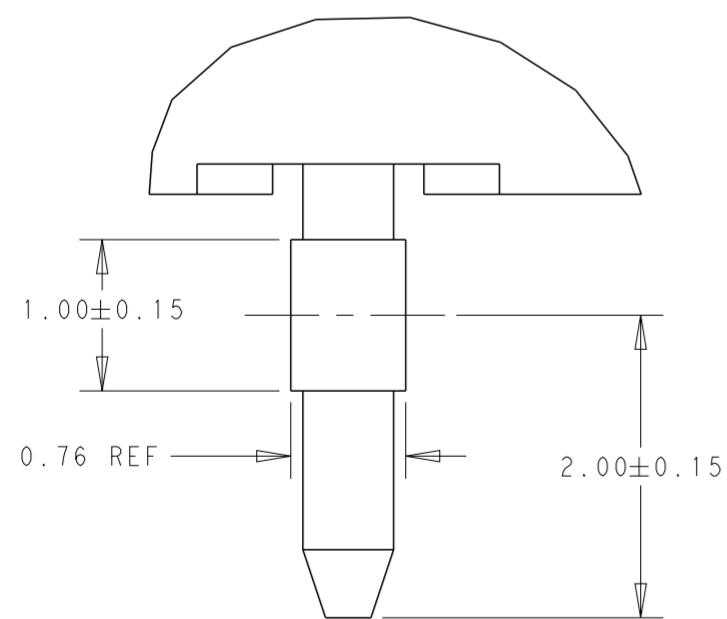
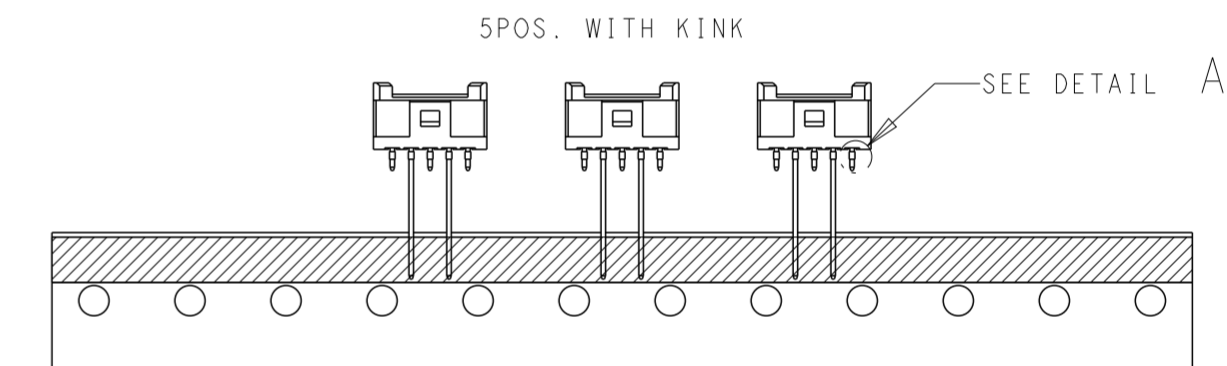
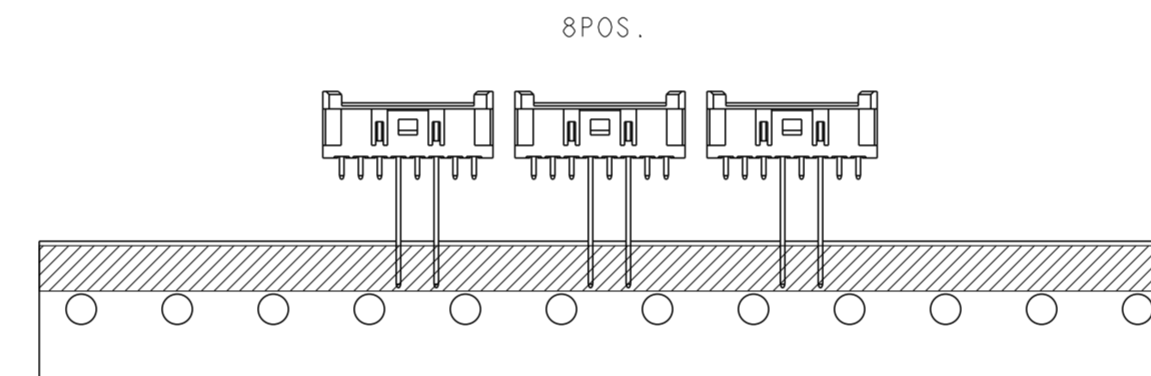
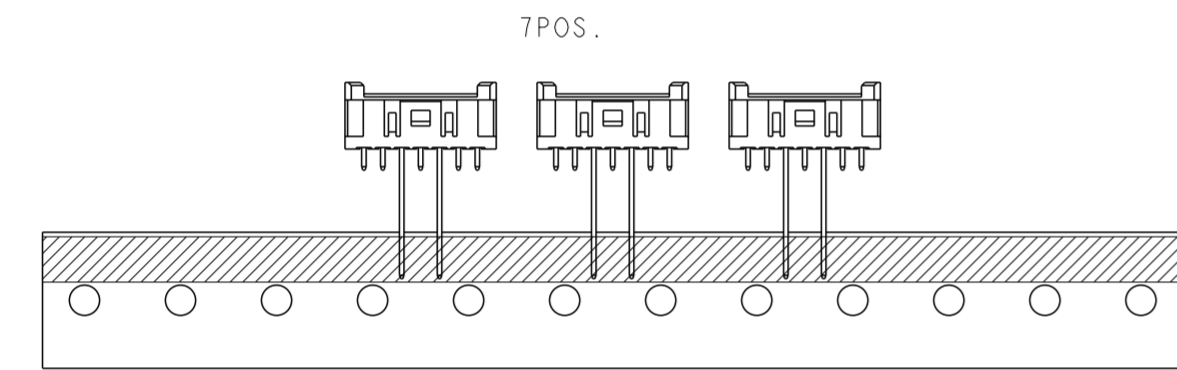
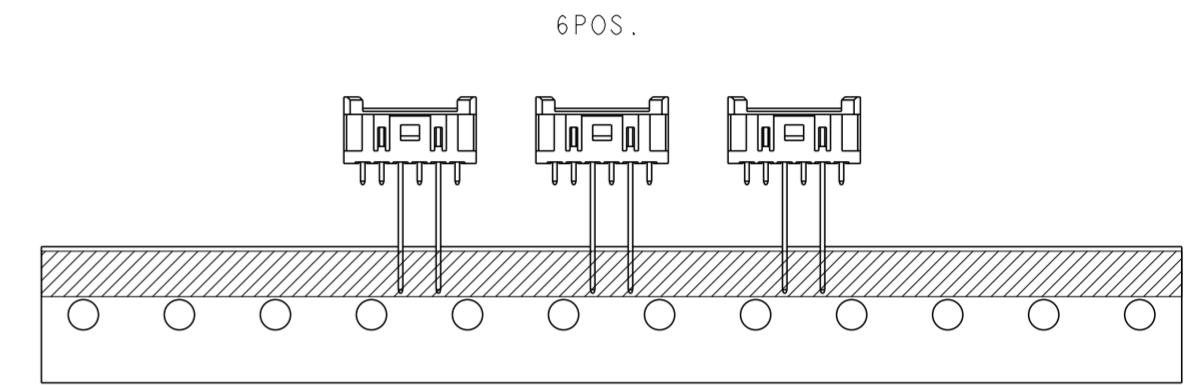
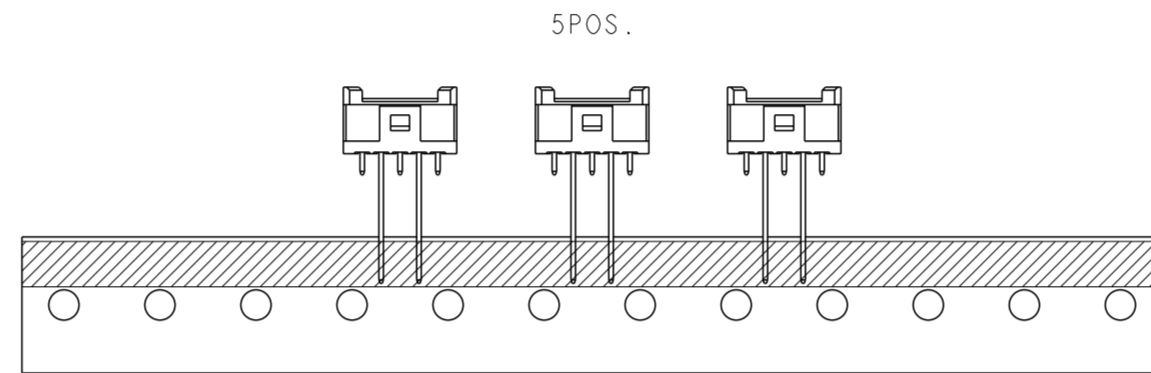
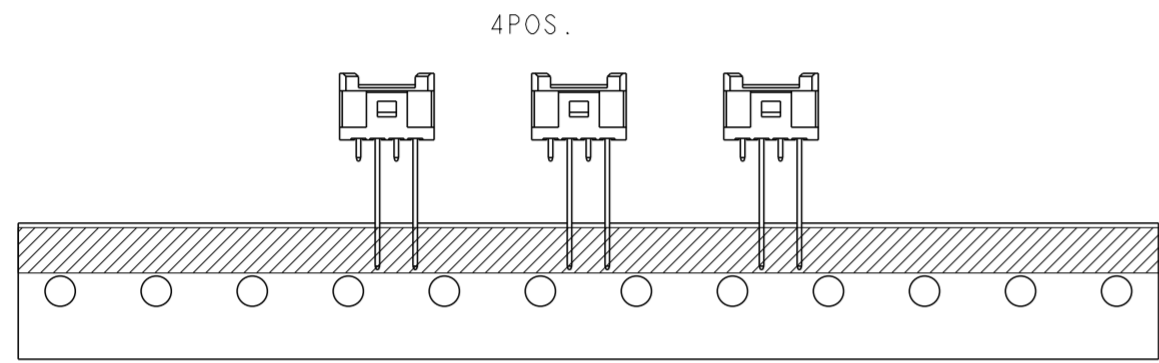
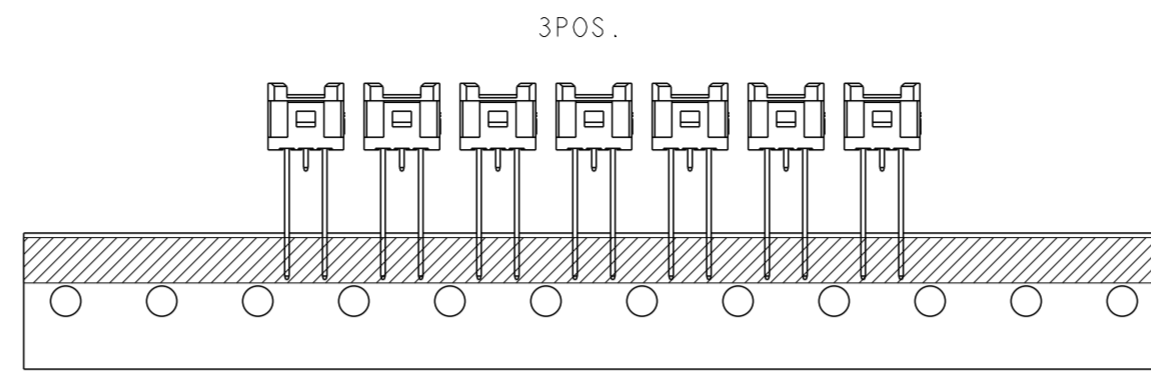
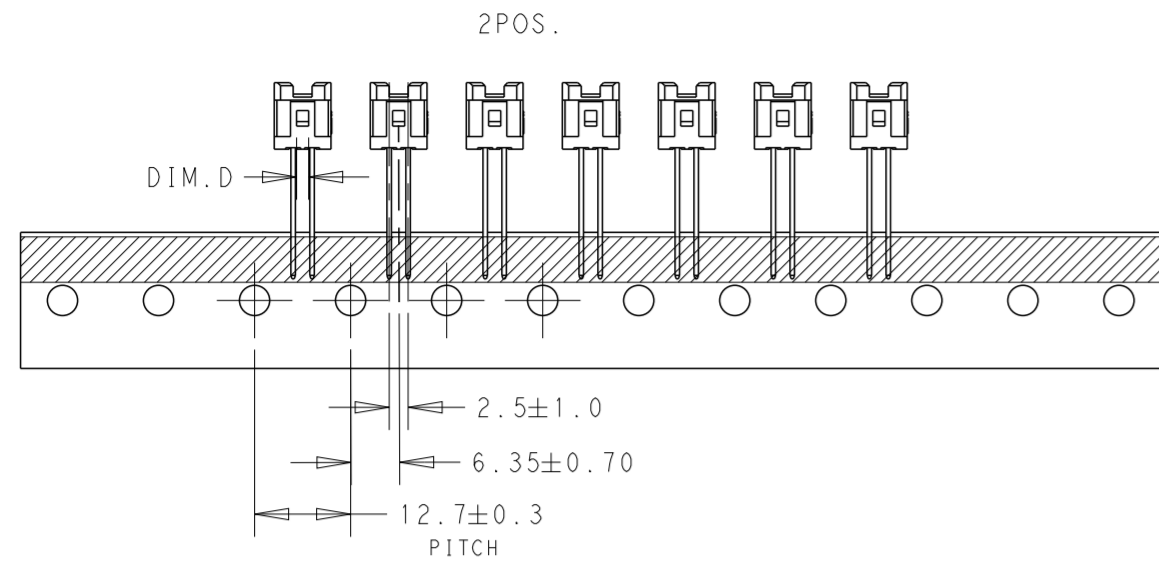
DIMENSIONS: mm	TOLERANCES UNLESS OTHERWISE SPECIFIED:	DWN: OTIO CHEN 15FEB2016	CHK: DANIEL 16FEB2016	APVD: DANIEL 16FEB2016	NAME: STE TE Connectivity
0 PLC ±0.50	1 PLC ±0.30	PRODUCT SPEC: 108-2418	APPLICATION SPEC: 114-13315	WEIGHT: -	SIZE: A2
2 PLC ±0.20	3 PLC ±	SCALE: N/A	SHEET: 1 OF 2	REV: C1	RESTRICTED TO: -
4 PLC ±	ANGLES ±3°	CUSTOMER DRAWING			

NAME: HEADER ASSEMBLY, VERTICAL ECONOMY POWER, 2.5mm CENTERLINE TAPING VERSION

SCALE: N/A SHEET: 1 OF 2 REV: C1

THIS DRAWING IS UNPUBLISHED. RELEASED FOR PUBLICATION
 © COPYRIGHT copyright.d8Te- ALL RIGHTS RESERVED.

REVISIONS					
P	LTR	DESCRIPTION	DATE	DWN	APVD
-	-	SEE SHEET 1	-	-	-



DETAIL A
SCALE 20:1

TAPING STYLE	QTY	SOLDER TAIL SHAPE	DIM.D	DIM.C	DIM.B	DIM.A	POS.	PART NO (NATURAL COLOR)	PART NO (RED COLOR)	PART NO (BLUE COLOR)	PART NO (BLACK COLOR)	PART NO (YELLOW COLOR)	PART NO (GREEN COLOR)
B	450	WITHOUT KINK	2.50	17.50	20.83	22.50	8	2299683-8	1-2299683-8	2-2299683-8	3-2299683-8	4-2299683-8	5-2299683-8
B	450	WITHOUT KINK	2.50	15.00	18.33	20.00	7	2299683-7	1-2299683-7	2-2299683-7	3-2299683-7	4-2299683-7	5-2299683-7
B	450	WITHOUT KINK	2.50	12.50	15.83	17.50	6	2299683-6	1-2299683-6	2-2299683-6	3-2299683-6	4-2299683-6	5-2299683-6
B	450	WITHOUT KINK	2.50	10.00	13.33	15.00	5	2299683-9	1-2299683-9	2-2299683-9	3-2299683-9	4-2299683-9	5-2299683-9
B	450	WITH KINK	2.50	10.00	13.33	15.00	5	2299683-5	1-2299683-5	2-2299683-5	3-2299683-5	4-2299683-5	5-2299683-5
B	450	WITHOUT KINK	2.50	7.50	10.83	12.50	4	2299683-4	1-2299683-4	2-2299683-4	3-2299683-4	4-2299683-4	5-2299683-4
A	900	WITHOUT KINK	2.50	5.00	8.33	10.00	3	2299683-3	1-2299683-3	2-2299683-3	3-2299683-3	4-2299683-3	5-2299683-3
A	900	WITHOUT KINK	1.60	2.50	5.83	7.50	2	2299683-2	1-2299683-2	2-2299683-2	3-2299683-2	4-2299683-2	5-2299683-2
A	900	WITHOUT KINK	0.85	2.50	5.83	7.50	2	2299683-1	1-2299683-1	2-2299683-1	3-2299683-1	4-2299683-1	5-2299683-1

THIS DRAWING IS A CONTROLLED DOCUMENT.

DWN: OTIO CHEN 15FEB2016
 CHK: DANIEL 16FEB2016
 APVD: DANIEL 16FEB2016

STE TE Connectivity

NAME: HEADER ASSEMBLY, VERTICAL ECONOMY POWER, 2.5mm CENTERLINE TAPING VERSION

SIZE: 108-2418
 APPLICATION SPEC: 114-13315

SCALE: N/A SHEET 2 OF 2 REV C1

MATERIAL: SEE TABLE 1

TOLERANCES UNLESS OTHERWISE SPECIFIED:
 0 PLC ±0.50
 1 PLC ±0.30
 2 PLC ±0.20
 3 PLC ±
 4 PLC ±
 ANGLES ±3°
 FINISH

CUSTOMER DRAWING

X-ON Electronics

Largest Supplier of Electrical and Electronic Components

Click to view similar products for [Headers & Wire Housings](#) category:

Click to view products by [TE Connectivity](#) manufacturer:

Other Similar products are found below :

[892-18-020-10-001101](#) [58102-G61-06LF](#) [582553-1](#) [0009485154](#) [009176003701906](#) [0050291907](#) [LY20-4P-DT1-P1E-BR](#) [02.125.8002.8](#)
[609-3404](#) [61062-3](#) [61082-181009](#) [622-3653LF](#) [63453-116](#) [636-1030](#) [636-1427](#) [636-3427](#) [636-4007](#) [641938-9](#) [641991-4](#) [644827-2](#) [65817-](#)
[010LF](#) [65817-015LF](#) [65863-015LF](#) [66207-023LF](#) [67095-007LF](#) [67601157](#) [68645-018](#) [68648-049](#) [70.362.1628.0](#) [70-4210](#) [70-4226B](#) [70-](#)
[4853B](#) [707-5020](#) [707-5028](#) [71.350.2428.0](#) [71918-208LF](#) [71961-016LF](#) [733-134](#) [733-162](#) [754199-000](#) [760-3052](#) [787-8014-00](#) [79531-3000](#)
[FCN-360C032-B](#) [FCN-367T-T012/H](#) [FCN-723D010/2](#) [80.063.4001.1](#) [800-90-001-10-001000](#) [800-90-010-10-002000](#) [801-43-002-10-013000](#)