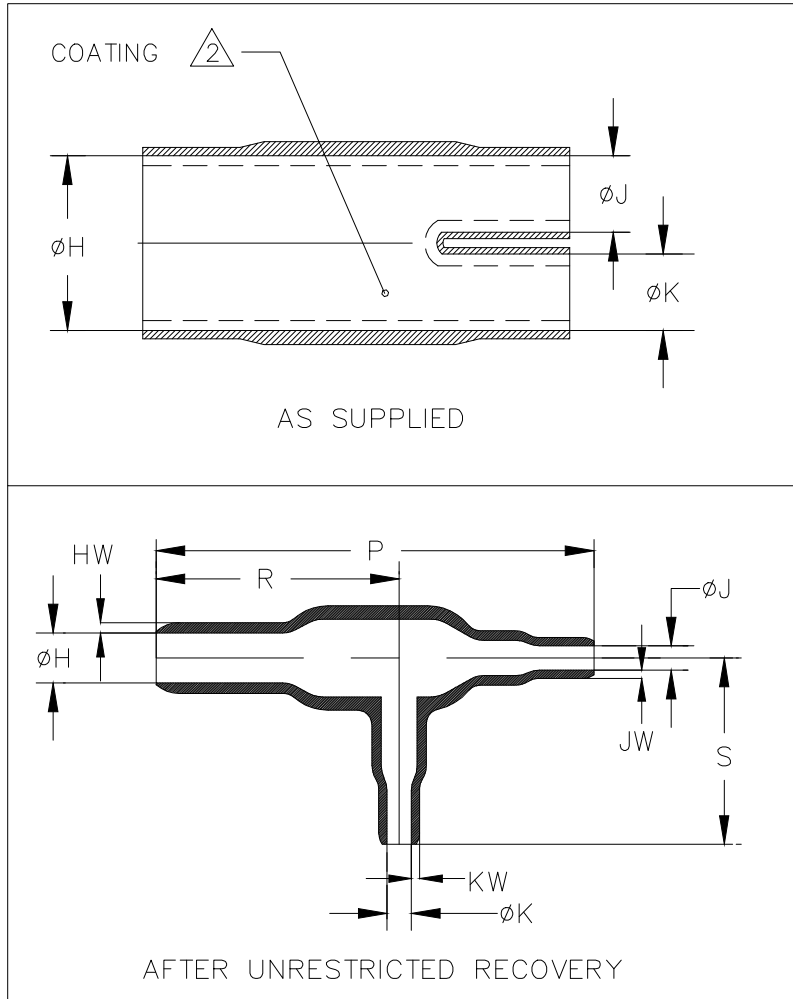


REVISIONS					
P	LTR	DESCRIPTION	DATE	DWN	APVD
	T	PRODUCTION ISSUE	29JAN2019	PNT	MT



PART NUMBER	H		J & K		P	R	S	T	U	HW	JW&KW	Weight
	Min	Max	Min	Max	$\pm 10\%$	$\pm 10\%$	$\pm 10\%$	$\pm 10\%$	$\pm 10\%$	$\pm 20\%$	$\pm 20\%$	Nom lb/[gms]
	a	b	a	b	b	b	b	b	b	b	b	b
322A012	13.2 [.52]	7.4 [.29]	6.6 [.26]	3.8 [.15]	55.9 [2.20]	33.0 [1.30]	19.3 [.76]	39.9 [1.57]	21.6 [.85]	1.52 [.06]	1.02 [.04]	3.2 [.007]
322A024	26.9 [1.06]	13.2 [.52]	13.2 [.52]	6.6 [.26]	97.0 [3.82]	53.8 [2.12]	38.6 [1.52]	65.8 [2.59]	36.3 [1.43]	2.54 [.10]	1.52 [.06]	15.9 [.035]
322A037	55.6 [2.19]	27.2 [1.07]	26.9 [1.06]	13.2 [.52]	198.1 [7.80]	111.3 [4.38]	77.7 [3.06]	130.6 [5.14]	73.9 [2.91]	4.57 [.18]	2.54 [.10]	128.4 [.283]

RELEASED FOR PUBLICATION

ALL RIGHTS RESERVED.

THIS DRAWING IS UNPUBLISHED.

© COPYRIGHT - TE Connectivity Ltd.

DIMENSIONS: mm [INCHES]	DWN	29JAN2019	MATERIAL	SEE SHEET 2	FINISH	-
	CHK	29JAN2019	TE Connectivity Ltd.			
TOLERANCES UNLESS OTHERWISE SPECIFIED:	APVD	29JAN2019				
	PRODUCT SPEC	-	NAME	TRANSITION, 90 SIDE BREAKOUT		
0 PLC $\pm -$	1 PLC ± 0.50 [.10]	2 PLC ± 0.25 [.01]	3 PLC ± 0.13 [.005]	4 PLC $\pm -$	ANGLES $\pm 1^\circ$	RESTRICTED TO
WEIGHT			SIZE	CAGE CODE	DRAWING NO	-
CUSTOMER DRAWING			A4	00779	C-322A012-XX-0THRU037-XX-0	-
SCALE				DNS	SHEET	1 OF 2
REV				T		

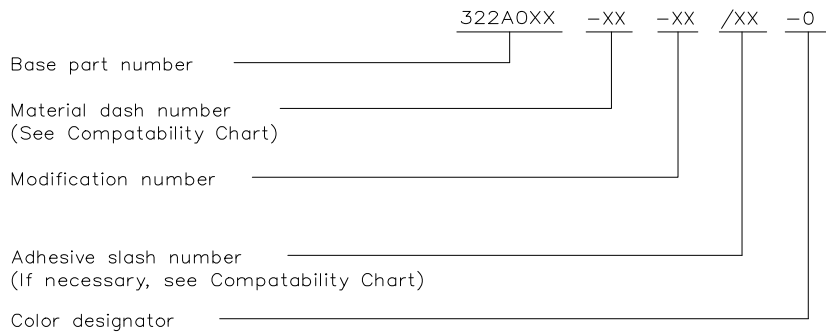
REVISIONS

P	LTR	DESCRIPTION	DATE	DWN	APVD
	-	SEE SHEET 1	-	-	-

COMPATABILITY CHART

MATERIAL DASH NO.	MATERIAL DESCRIPTION	RT SPEC	COATING SLASH NO.	COATING S NO.
-3	Polyolefin, Semi-rigid	RT-301	/42;/86;/180	S1017;S1048;S1030
-4	Polyolefin, Flexible	RT-1304	/42;/86;/180	S1017;S1048;S1030
-12	Fluoroelastomer, Flexible	RT-1312	N/A	N/A
-25	Elastomer, Fluid Resistant	RW-2070	/42;/86;/225	S1017;S1048;S1206
-100	Polyolefin, Semi-flexible ZEROHAL	RW-2082	/86;/180	S1048;S1030

ORDERING INFORMATION



NOTES


- Dimensions appearing in table are as follows:
a - As Supplied
b - After Unrestricted Recovery
- Coating is optional. As supplied dimensions appearing in table are for uncoated parts. When coating is added, entry diameters will be reduced by 1.5mm[.06] max.
- Molding ports are optional. When -00 modification number is specified molding ports will be located as shown.
On size 301A011 the 3.05[.12] diameter vent port will be eliminated, and the 4.57[.18] diameter injection port will be decreased to $\frac{2.29}{.09}$
- Weight appearing in table of dimensions is based on polyolefin part.

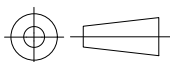
RELEASED FOR PUBLICATION

ALL RIGHTS RESERVED.

TE Connectivity Ltd.

THIS DRAWING IS UNPUBLISHED.

DIMENSIONS: mm [INCHES]	DWN PRAVEEN N T 29JAN2019	MATERIAL -	FINISH -
	CHK N NAGAR 29JAN2019	 TE Connectivity Ltd.	
TOLERANCES UNLESS OTHERWISE SPECIFIED:	APVD M TAYLOR 29JAN2019		
0 PLC ± -	PRODUCT SPEC -	NAME TRANSITION, 90 SIDE BREAKOUT	
1 PLC ± 0,50 [.10]	APPLICATION SPEC -	SIZE A4	CAGE CODE 00779
2 PLC ± 0,25 [.01]		DRAWING NO G-322A012-XX-0THRU037-XX-0	RESTRICTED TO -
3 PLC ± 0,13 [.005]	WEIGHT		
4 PLC ± -	CUSTOMER DRAWING		
ANGLES ± 1°	SCALE DNS	SHEET 2 OF 2	REV T



X-ON Electronics

Largest Supplier of Electrical and Electronic Components

Click to view similar products for [Heat Shrink Cable Boots & End Caps](#) category:

Click to view products by [TE Connectivity](#) manufacturer:

Other Similar products are found below :

[577159N001](#) [645494-000](#) [CX4132-000](#) [687025-000](#) [705331-000](#) [718446-000](#) [725666N001](#) [729257-000](#) [F27131-000](#) [F85868-000](#) [770-003S106W2](#) [770-013210W1](#) [770-013311](#) [770-013312](#) [806542N001](#) [807507-000](#) [808059-000](#) [808362-000](#) [808618-000](#) [809125-000](#) [809130-000](#) [809218-000](#) [812014-000](#) [812047-000](#) [813166-000](#) [813767N002](#) [814741-000](#) [819117N001](#) [823026-000](#) [823070-000](#) [825002-000](#) [841189N001](#) [861471-000](#) [866647-000](#) [879515-000](#) [937577-000](#) [957073-000](#) [982033-2](#) [A77813-000](#) [R280576000](#) [D96192-000](#) [163549-000](#) [MTPSRBCL-C](#) [1954015-1](#) [200W531-3-0](#) [202A163-4-0-CS5067](#) [202A343-3-00-0](#) [202B221-13-0](#) [202B231-13-0](#) [202B563-25-07-0](#)