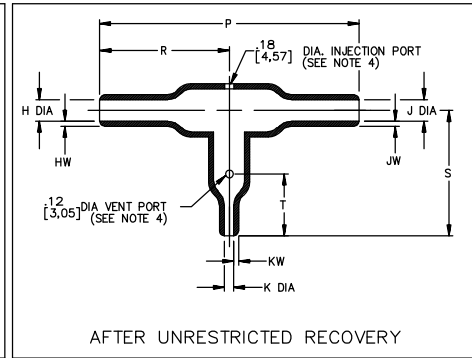
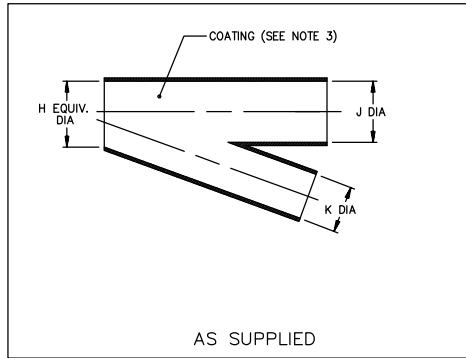


Thermofit Molded Parts Specification Control Drawing

Part Number : 322A112 thru 158
Description : Transition, 90°
Side Breakout

NOTES

- All dimensions are in $\frac{\text{inches}}{\text{[millimeters]}}$
- Dimensions appearing in table are as follows:
 - a - As Supplied
 - b - After Unrestricted Recovery
- Coating is optional. As supplied dimensions appearing in table are for uncoated parts. When coating is added, entry diameters will be reduced by .06 max.
- Molding ports are optional. When -00 modification number is specified molding ports will be located as shown. On size 322A112 the vent port will be eliminated.



PART NUMBER	H & J		K		P	R	S	T	HW & JW	KW
	Min a	Max b	Min a	Max b	±10% b	±10% b	±10% b	±10% b	±20% b	±20% b
322A112	.52 [13,2]	.23 [5,8]	.26 [6,6]	.12 [3,0]	2.06 [52,3]	1.03 [26,2]	.76 [19,3]	N/A	.06 [1,52]	.04 [1,02]
322A123	1.06 [26,9]	.49 [12,4]	.26 [6,6]	.12 [3,0]	3.28 [83,3]	1.64 [41,7]	1.07 [27,2]	.42 [10,7]	.10 [2,54]	.04 [1,02]
322A134	1.06 [26,9]	.50 [12,7]	.52 [13,2]	.23 [5,8]	4.24 [107,7]	2.12 [53,8]	1.52 [38,6]	.80 [20,3]	.10 [2,54]	.06 [1,52]
322A148	2.19 [55,6]	1.00 [25,4]	.52 [13,2]	.23 [5,8]	7.11 [180,6]	3.56 [90,4]	2.26 [57,4]	1.00 [25,4]	.18 [4,57]	.06 [1,52]
322A158	2.19 [55,6]	1.00 [25,4]	1.06 [26,9]	.49 [12,4]	8.75 [222,3]	4.38 [111,3]	3.06 [77,7]	1.50 [38,1]	.18 [4,57]	.10 [2,54]



TE CONNECTIVITY
300 CONSTITUTION DRIVE
MENLO PARK, CALIFORNIA 94025

Revision : S1
Date : 20APR11

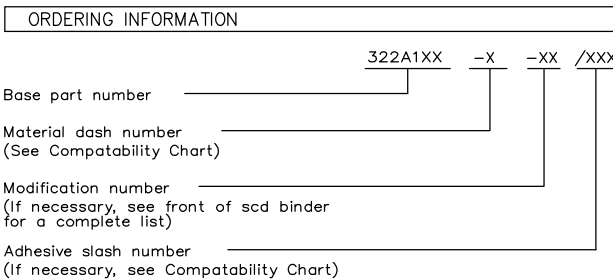
Part Number : 322A112 thru 158
Description : Transition, 90°
Side Breakout

Thermofit Molded Parts Specification Control Drawing

Part Number : 322A112 thru 158
Description : Transition, 90°
Side Breakout

MATERIAL DASH NO.	MATERIAL DESCRIPTION	RT SPEC	COATING SLASH NO.	COATING S NO.	COATING DESCRIPTION
-3	Polyolefin, Semi-rigid	RT-301	/42;/86	S-1017;S-1048	Adhesive
-4	Polyolefin, Flexible	RT-1304	/42;/86	S-1017;S-1048	Adhesive
-5	Elastomer, Flexible	RT-501	/42	S-1017	Adhesive
-6	Silicone	RT-602	N/A		
-12	*VITON, Flexible	RT-1312	N/A		
-25	Elastomer, Fluid Resistant	RT-1325	/42;/86	S-1017;S-1048	Adhesive
-100	Polyolefin, Semi-flexible ZEROHAL™	RT-1323	/86;/180	S-1048;S-1030	Adhesive

*VITON is a Registered Trademark of Dupont



IF THIS DOCUMENT IS PRINTED IT BECOMES UNCONTROLLED.
CHECK FOR THE LATEST REVISION.

THIS DRAWING IS SUBJECT TO CHANGE WITHOUT NOTICE; CONSULT YOUR
NEAREST FIELD REPRESENTATIVE FOR CURRENT REVISION



TE CONNECTIVITY
300 CONSTITUTION DRIVE
MENLO PARK, CALIFORNIA 94025

Revision : S1
Date : 20APR11

Part Number : 322A112 thru 158
Description : Transition, 90°
Side Breakout

CAD FILE MP00071

X-ON Electronics

Largest Supplier of Electrical and Electronic Components

Click to view similar products for [Cable Boots](#) category:

Click to view products by [TE Connectivity](#) manufacturer:

Other Similar products are found below :

[618235-000](#) [622A014-3-0](#) [CX4132-000](#) [879515-000](#) [982033-2](#) [R280576000](#) [1300830729](#) [EN3BOOTLKIT](#) [MTPSRBCL-C](#) [1811481-1](#)
[200W531-3-0](#) [202A121-386-0](#) [202A142-4-00/42-0](#) [202A163-4-0-CS5067](#) [202B221-13-0](#) [202B231-13-0](#) [202B563-25-07-0](#)
[202C621710CS5361](#) [202D132-4-07/42-0](#) [202D221-4-0-CS5349](#) [202D221-4-26-0](#) [202D263-25-08-0](#) [202D263-4-22/42-0](#) [202D263-4-88-0](#)
[202D921-2542-0](#) [202E336-71-0](#) [202F211-50-22-0-CS8474](#) [202F242-50-05-0](#) [202F242-51-04/164-0](#) [202K121-25-CS-1858-0](#) [202K121-25-](#)
[CS-2062-0](#) [202K132-25-01/225-0CS8387](#) [202K153-3-0186-0](#) [202S132-25-UP-0](#) [203W301-3/42-0](#) [207W613-100/184-0-CS5657](#) [207W623-](#)
[100-01/184-0](#) [207W634-100/184-0-CS5657](#) [207W656-100-01/184-0](#) [207W667-100-01/184-0](#) [207W667-100/184-0](#) [208A011-3-0](#) [208A021-3-](#)
[0](#) [221A011-51164-0-CS7133](#) [222A121-2586](#) [222A152-342-0](#) [222A213-25-0-CS5613](#) [222D221-25-13/86-0](#) [222D232-4-61-0-CS5078](#)
[222D253-100-22-0](#)