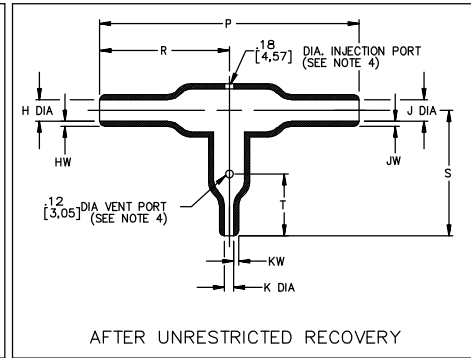
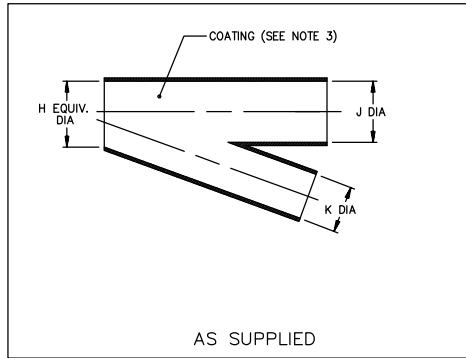


Thermofit[®] Molded Parts Specification Control Drawing

Part Number : 322A112 thru 158
Description : Transition, 90°
Side Breakout

NOTES

- All dimensions are in $\frac{\text{inches}}{\text{[millimeters]}}$
- Dimensions appearing in table are as follows:
 - a - As Supplied
 - b - After Unrestricted Recovery
- Coating is optional. As supplied dimensions appearing in table are for uncoated parts. When coating is added, entry diameters will be reduced by .06 max.
- Molding ports are optional. When -00 modification number is specified molding ports will be located as shown. On size 322A112 the vent port will be eliminated.



PART NUMBER	H & J		K		P	R	S	T	HW & JW	KW
	Min a	Max b	Min a	Max b	±10% b	±10% b	±10% b	±10% b	±20% b	±20% b
322A112	.52 [13,2]	.23 [5,8]	.26 [6,6]	.12 [3,0]	2.06 [52,3]	1.03 [26,2]	.76 [19,3]	N/A	.06 [1,52]	.04 [1,02]
322A123	1.06 [26,9]	.49 [12,4]	.26 [6,6]	.12 [3,0]	3.28 [83,3]	1.64 [41,7]	1.07 [27,2]	.42 [10,7]	.10 [2,54]	.04 [1,02]
322A134	1.06 [26,9]	.50 [12,7]	.52 [13,2]	.23 [5,8]	4.24 [107,7]	2.12 [53,8]	1.52 [38,6]	.80 [20,3]	.10 [2,54]	.06 [1,52]
322A148	2.19 [55,6]	1.00 [25,4]	.52 [13,2]	.23 [5,8]	7.11 [180,6]	3.56 [90,4]	2.26 [57,4]	1.00 [25,4]	.18 [4,57]	.06 [1,52]
322A158	2.19 [55,6]	1.00 [25,4]	1.06 [26,9]	.49 [12,4]	8.75 [222,3]	4.38 [111,3]	3.06 [77,7]	1.50 [38,1]	.18 [4,57]	.10 [2,54]



TE CONNECTIVITY
300 CONSTITUTION DRIVE
MENLO PARK, CALIFORNIA 94025

Revision : S1
Date : 20APR11

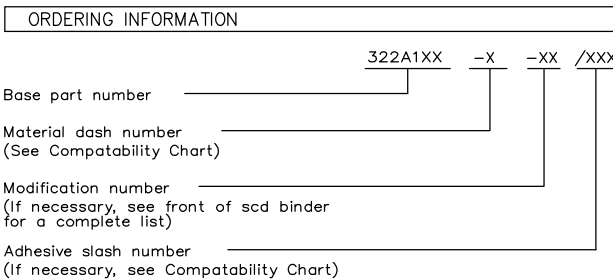
Part Number : 322A112 thru 158
Description : Transition, 90°
Side Breakout

Thermofit[®] Molded Parts Specification Control Drawing

Part Number : 322A112 thru 158
Description : Transition, 90°
Side Breakout

MATERIAL DASH NO.	MATERIAL DESCRIPTION	RT SPEC	COATING SLASH NO.	COATING S NO.	COATING DESCRIPTION
-3	Polyolefin, Semi-rigid	RT-301	/42;/86	S-1017;S-1048	Adhesive
-4	Polyolefin, Flexible	RT-1304	/42;/86	S-1017;S-1048	Adhesive
-5	Elastomer, Flexible	RT-501	/42	S-1017	Adhesive
-6	Silicone	RT-602	N/A		
-12	*VITON, Flexible	RT-1312	N/A		
-25	Elastomer, Fluid Resistant	RT-1325	/42;/86	S-1017;S-1048	Adhesive
-100	Polyolefin, Semi-flexible ZEROHAL™	RT-1323	/86;/180	S-1048;S-1030	Adhesive

*VITON is a Registered Trademark of Dupont



IF THIS DOCUMENT IS PRINTED IT BECOMES UNCONTROLLED.
CHECK FOR THE LATEST REVISION.

THIS DRAWING IS SUBJECT TO CHANGE WITHOUT NOTICE; CONSULT YOUR
NEAREST FIELD REPRESENTATIVE FOR CURRENT REVISION



TE CONNECTIVITY
300 CONSTITUTION DRIVE
MENLO PARK, CALIFORNIA 94025

Revision : S1
Date : 20APR11

Part Number : 322A112 thru 158
Description : Transition, 90°
Side Breakout

CAD FILE MP00071

X-ON Electronics

Largest Supplier of Electrical and Electronic Components

Click to view similar products for [Heat Shrink Cable Boots & End Caps](#) category:

Click to view products by [TE Connectivity](#) manufacturer:

Other Similar products are found below :

[577159N001](#) [645494-000](#) [CX4132-000](#) [687025-000](#) [705331-000](#) [718446-000](#) [725666N001](#) [729257-000](#) [F27131-000](#) [F85868-000](#) [770-003S106W2](#) [770-013210W1](#) [770-013311](#) [770-013312](#) [806542N001](#) [807507-000](#) [808362-000](#) [808618-000](#) [809125-000](#) [809130-000](#) [809218-000](#) [812014-000](#) [812047-000](#) [813166-000](#) [813767N002](#) [814741-000](#) [819117N001](#) [823026-000](#) [823070-000](#) [825002-000](#) [841189N001](#) [861471-000](#) [866647-000](#) [879515-000](#) [937577-000](#) [957073-000](#) [982033-2](#) [A77813-000](#) [R280576000](#) [D96192-000](#) [163549-000](#) [EN3BOOTLKIT](#) [MTPSRBCL-C](#) [1954015-1](#) [200W531-3-0](#) [202A163-4-0-CS5067](#) [202A343-3-00-0](#) [202B221-13-0](#) [202B231-13-0](#) [202B563-25-07-0](#)