

Thermofit[®] Molded Parts
 Specification Control Drawing
 Limited Distribution

Part Number : 322A412 and 434-25/225
 Description : Transition, 90°, Side Breakout, Thinwall

NOTES

- All dimensions are in $\frac{\text{inches}}{\text{[millimeters]}}$
- Dimensions appearing in table are as follows:
 a - As Supplied
 b - After Unrestricted Recovery
- Coating is optional. As supplied dimensions appearing in table are for uncoated parts. When coating is added, entry diameters will be reduced by .06 max.
- Molding ports are optional. When -00 modification number is specified molding parts will be located as shown.

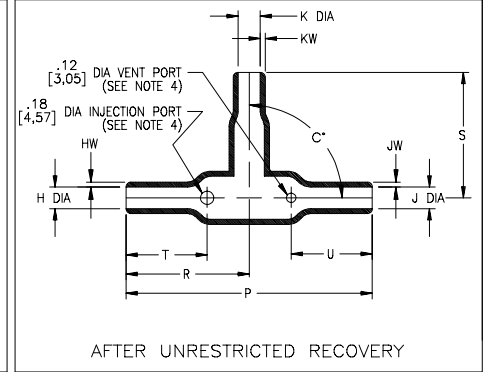
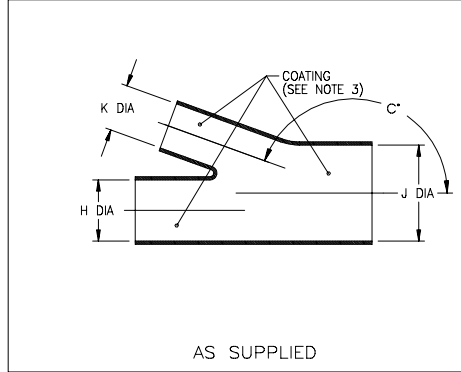


TABLE OF DIMENSIONS

PART NUMBER	H & J		K		P ±10% b	R ±10% b	S ±10% b	T ±10% b	U ±10% b	HW&JW ±20% b	KW ±20% b	C*	
	Min	Max	Min	Max								±10%	±5%
	a	b	a	b								a	b
322A412-25/225	.70 [17,7]	.35 [8,9]	.40 [10,1]	.20 [5,1]	1.87 [47,5]	.93 [23,6]	.93 [23,6]	.75 [19,1]	.78 [19,8]	.059 [1,50]	.04 [1,02]	165	90
322A434-25/225	1.20 [30,4]	.60 [15,3]	.80 [20,3]	.40 [10,2]	3.25 [82,6]	1.62 [41,1]	1.50 [38,1]	1.23 [31,2]	1.23 [31,2]	.10 [2,54]	.077 [1,96]	165	90

Raychem

RAYCHEM CORPORATION
 300 CONSTITUTION DRIVE
 MENLO PARK, CALIFORNIA 94025

Revision : A
 Date : 9/30/98

Part Number : 322A412 and 434-25/225
 Description : Transition, 90°, Side Breakout, Thinwall

Thermofit[®] Molded Parts
 Specification Control Drawing
 Limited Distribution

Part Number : 322A412 and 434-25/225
 Description : Transition, 90°, Side Breakout, Thinwall

MATERIAL DASH NO.	MATERIAL DESCRIPTION	RT SPEC	COATING SLASH NO.	COATING S NO.	COATING DESCRIPTION
-25	Elastomer, Fluid Resistant	RT-1325	/225	S-1206	Adhesive

ORDERING INFORMATION

322A4XX -25 -XX /225

Base part number _____

Material dash number _____
 (See Compatability Chart)

Modification number _____
 (If necessary, see front of scd binder for a complete list)

Adhesive slash number _____
 (If necessary, see Compatability Chart)

THIS DRAWING IS SUBJECT TO CHANGE WITHOUT NOTICE; CONSULT YOUR NEAREST FIELD REPRESENTATIVE FOR CURRENT REVISION

Raychem

RAYCHEM CORPORATION
 300 CONSTITUTION DRIVE
 MENLO PARK, CALIFORNIA 94025

Revision : A
 Date : 9/30/98

Part Number : 322A412 and 434-25/225
 Description : Transition, 90°, Side Breakout, Thinwall
 CAD FILE MP98162

X-ON Electronics

Largest Supplier of Electrical and Electronic Components

Click to view similar products for [Heat Shrink Cable Boots & End Caps](#) category:

Click to view products by [TE Connectivity](#) manufacturer:

Other Similar products are found below :

[577159N001](#) [645494-000](#) [CX4132-000](#) [687025-000](#) [705331-000](#) [718446-000](#) [725666N001](#) [729257-000](#) [F27131-000](#) [F85868-000](#) [770-003S106W2](#) [770-013210W1](#) [770-013311](#) [770-013312](#) [806542N001](#) [807507-000](#) [808059-000](#) [808362-000](#) [808618-000](#) [809125-000](#) [809130-000](#) [809218-000](#) [812014-000](#) [812047-000](#) [813166-000](#) [813767N002](#) [814741-000](#) [819117N001](#) [823026-000](#) [823070-000](#) [825002-000](#) [841189N001](#) [861471-000](#) [866647-000](#) [879515-000](#) [937577-000](#) [957073-000](#) [982033-2](#) [A77813-000](#) [R280576000](#) [D96192-000](#) [163549-000](#) [MTPSRBCL-C](#) [1954015-1](#) [200W531-3-0](#) [202A163-4-0-CS5067](#) [202A343-3-00-0](#) [202B221-13-0](#) [202B231-13-0](#) [202B563-25-07-0](#)