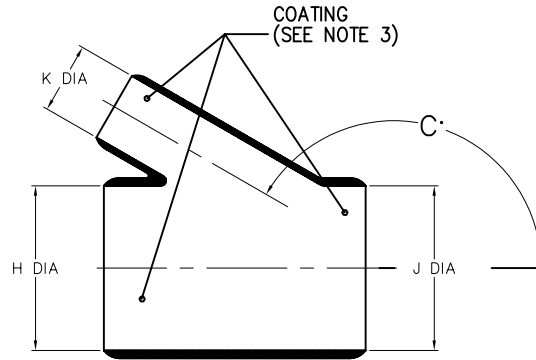


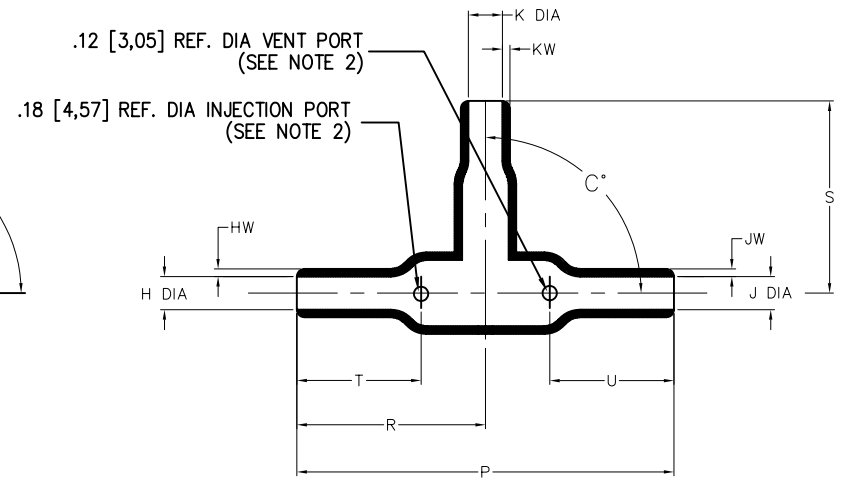
NOTES

1. ALL DIMENSIONS ARE IN $\frac{\text{INCHES}}{\text{[MILLIMETERS]}}$
2. DIMENSIONS APPEARING IN TABLE ARE AS FOLLOWS:
 - a - AS SUPPLIED
 - b - AFTER UNRESTRICTED RECOVERY
3. COATING (ADHESIVE) IS OPTIONAL. AS SUPPLIED DIMENSIONS APPEARING IN TABLE ARE FOR UNCOATED PARTS. WHEN COATING IS ADDED, ENTRY DIAMETERS WILL BE REDUCED BY .06 MAX.
4. MOLDING PORTS ARE OPTIONAL. WHEN -00 MODIFICATION NUMBER IS SPECIFIED MOLDING PORTS WILL BE LOCATED AS SHOWN.

REVISIONS		
LTR	DESCRIPTION	DATE
A	ECD-08-009707	04/17/2008



AS SUPPLIED



AFTER UNRESTRICTED RECOVERY

TABLE OF DIMENSIONS

PART DESCRIPTION	H & J		K		P	R	S	T	U	HW&JW	KW	C°	
	MIN	MAX	MIN	MAX	±10%	±10%	±10%	±10%	±10%	±20%	±20%	±10%	±5%
	a	b	a	b	b	b	b	b	b	b	b	a	b
322A434	$\frac{1.20}{[30,4]}$	$\frac{.60}{[15,3]}$	$\frac{.80}{[20,3]}$	$\frac{.40}{[10,2]}$	$\frac{3.25}{[82,6]}$	$\frac{1.62}{[41,1]}$	$\frac{1.50}{[38,1]}$	$\frac{1.23}{[31,2]}$	$\frac{1.23}{[31,2]}$	$\frac{.10}{[2,54]}$	$\frac{.077}{[1,96]}$	165	90

CUSTOMER DRAWING

UNLESS OTHERWISE SPECIFIED DIMENSIONS ARE INCHES. METRIC DIMENSIONS ARE IN BRACKETS.	DRAWN UNGUYEN	DATE 04/17/2008	 Raychem Molded Parts 305 Constitution Dr Menlo Park, CA 94025
	RPN		
DECIMAL TOLERANCES .XXX ± 0.005 [0.13 mm] .XX ± 0.01 [0.25 mm] .X ± 0.1 [0.50 mm]	THIRD ANGLE PROJECTION		TITLE TRANSITION, 90 DEGREE, SIDE BREAKOUT, THINWALL
ANGLE TOLERANCE .X ± 1 DEG.	SIZE B	CODE IDENT. NO. 06090	DWG. NO. 322A434
© 2008 Tyco Electronics Corporation. All rights reserved.			DD NOT SCALE THIS DRAWING SHEET 1 OF 2

4

3

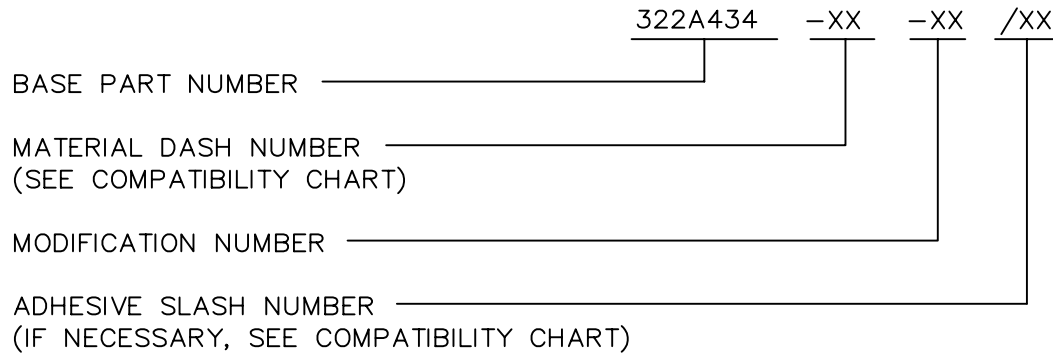
2

1

COMPATIBILITY CHART

MATERIAL DASH NO.	MATERIAL DESCRIPTION	RT SPEC	COATING SLASH NO.	COATING SPEC	COATING DESCRIPTION
-3	POLYOLEFIN, SEMI-RIGID	RT-301	/42; /86	S-1017; S-1048	ADHESIVE
-4	POLYOLEFIN, FLEXIBLE	RT-1304	/164, /86	S-1017; S-1048	ADHESIVE
-5	ELASTOMER, FLEXIBLE	RT-501	/42,	S-1017	ADHESIVE
-6	SILICONE	RT-602	N/A		
-12	FLUOROELASTOMER	RT-1312	N/A		
-25	ELASTOMER, FLUID RESISTANT	RT-1325	/86	S-1048	ADHESIVE
-100	POLYOLEFIN, SEMI-FLEXIBLE ZEROHAL	RT-1323	/86; /180	S-1048; S-1030	ADHESIVE

ORDERING INFORMATION



CUSTOMER DRAWING

SIZE	DWG. NO.	REV	DWG. NO.
B	06090	A	322A434
DO NOT SCALE THIS DRAWING			SHEET 2 OF 2

4

3

2

1

X-ON Electronics

Largest Supplier of Electrical and Electronic Components

Click to view similar products for [Heat Shrink Cable Boots & End Caps](#) category:

Click to view products by [TE Connectivity](#) manufacturer:

Other Similar products are found below :

[577159N001](#) [645494-000](#) [CX4132-000](#) [687025-000](#) [705331-000](#) [718446-000](#) [725666N001](#) [729257-000](#) [F27131-000](#) [F85868-000](#) [770-003S106W2](#) [770-013210W1](#) [770-013311](#) [770-013312](#) [806542N001](#) [807507-000](#) [808362-000](#) [808618-000](#) [809125-000](#) [809130-000](#) [809218-000](#) [812014-000](#) [812047-000](#) [813166-000](#) [813767N002](#) [814741-000](#) [819117N001](#) [823026-000](#) [823070-000](#) [841189N001](#) [861471-000](#) [866647-000](#) [879515-000](#) [937577-000](#) [957073-000](#) [982033-2](#) [A77813-000](#) [R280576000](#) [D96192-000](#) [163549-000](#) [EN3BOOTLKIT](#) [MTPSRBCL-C](#) [1954015-1](#) [200W531-3-0](#) [202A163-4-0-CS5067](#) [202A343-3-00-0](#) [202B221-13-0](#) [202B231-13-0](#) [202B563-25-07-0](#) [202C241-13-0](#)