

HOLTITE

TE Part # 9-1437514-4

TE Internal #: 322-HCS5P3-300LF

[View on TE.com >](#)



Connectors > Card & Socket Connectors > IC Sockets > DIP Sockets



DIP Socket Type: **Open Frame**

Contact Fabrication: **Screw Machine**

Number of Positions: **1**

Profile: **Zero**

Row-to-Row Spacing: **7.62 mm [.3 in]**

Features

Product Type Features

DIP Socket Type	Open Frame
Profile	Zero
Row-to-Row Spacing	7.62 mm [.3 in]
Leg Style	Straight
Connector & Contact Terminates To	Printed Circuit Board
Product Type	Socket

Configuration Features

Number of Positions	1
---------------------	---

Electrical Characteristics

Contact Resistance	10 mΩ
Insulation Resistance	1000 MΩ

Body Features

Carrier Strip Material	Mylar
Sleeve Plating Material	Tin
Frame Style	Film Carrier

Contact Features

Socket Style	Standard
Mating Contact Type	Four-Fingered
PCB Contact Termination Area Plating Material	Tin



Contact Base Material	Beryllium Copper
Contact Fabrication	Screw Machine
Contact Mating Area Plating Material	Tin
Contact Mating Area Plating Thickness	25 µin
Contact Current Rating (Max)	3 A
Socket Type	DIP
Contact Type	Socket

Termination Features

Contact Termination Type	Through Hole
Termination Post Length	3.18 mm[.125 in]

Mechanical Attachment

PCB Mount Retention	Without
Mounting Angle	Vertical
Connector Mounting Type	Board Mount

Housing Features

Centerline (Pitch)	2.54 mm[.1 in]
--------------------	----------------

Dimensions

Height Above PC Board	0 mm[0 in]
-----------------------	------------

Usage Conditions

Operating Temperature Range	-55 – 105 °C[-67 – 221 °F]
-----------------------------	----------------------------

Operation/Application

Circuit Application	Signal
---------------------	--------

Packaging Features

Packaging Method	Reel
Packaging Quantity	5000

Other

Patterns Per Reel	1
-------------------	---

Product Compliance

For compliance documentation, visit the product page on [TE.com](https://www.te.com)>

EU RoHS Directive 2011/65/EU	Compliant with Exemptions
EU ELV Directive 2000/53/EC	Compliant with Exemptions

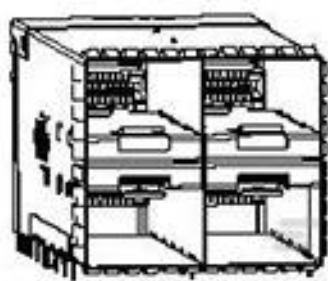


China RoHS 2 Directive MIIT Order No 32, 2016	Restricted Materials Above Threshold
EU REACH Regulation (EC) No. 1907/2006	Current ECHA Candidate List: JAN 2019 (197) Candidate List Declared Against: JAN 2019 (197)
Halogen Content	Low Halogen - Br, Cl, F, I < 900 ppm per homogenous material. Also BFR/CFR/PVC Free
Solder Process Capability	Not applicable for solder process capability

Product Compliance Disclaimer

This information is provided based on reasonable inquiry of our suppliers and represents our current actual knowledge based on the information they provided. This information is subject to change. The part numbers that TE has identified as EU RoHS compliant have a maximum concentration of 0.1% by weight in homogenous materials for lead, hexavalent chromium, mercury, PBB, PBDE, DBP, BBP, DEHP, DIBP, and 0.01% for cadmium, or qualify for an exemption to these limits as defined in the Annexes of Directive 2011/65/EU (RoHS2). Finished electrical and electronic equipment products will be CE marked as required by Directive 2011/65/EU. Components may not be CE marked. Additionally, the part numbers that TE has identified as EU ELV compliant have a maximum concentration of 0.1% by weight in homogenous materials for lead, hexavalent chromium, and mercury, and 0.01% for cadmium, or qualify for an exemption to these limits as defined in the Annexes of Directive 2000/53/EC (ELV). Regarding the REACH Regulations, TE's information on SVHC in articles for this part number is still based on the European Chemical Agency (ECHA) 'Guidance on requirements for substances in articles' (Version: 2, April 2011), applying the 0.1% weight on weight concentration threshold at the finished product level. TE is aware of the European Court of Justice ruling of September 10th, 2015 also known as O5A (Once An Article Always An Article) stating that, in case of 'complex object', the threshold for a SVHC must be applied to both the product as a whole and simultaneously to each of the articles forming part of its composition. TE has evaluated this ruling based on the new ECHA "Guidance on requirements for substances in articles" (June 2017, version 4.0) and will be updating its statements accordingly.

Customers Also Bought



TE Part #1-2198325-9
zSFP+ STACKED 2x2
RECEPTACLE ASSEMBLY



TE Part #2169809-1
IMP,Power,4PR,VR,Tin



TE Part #3-794635-6
06P MICRO MNL ASSY,
VRT,SMT,LF



TE Part #2227670-1
zQSFP+ STACKED
RECEPTACLE ASSEMBLY
2X2



TE Part #2007637-6
SFP+assy 2x2 Spring
Fingers Inner LP Sn



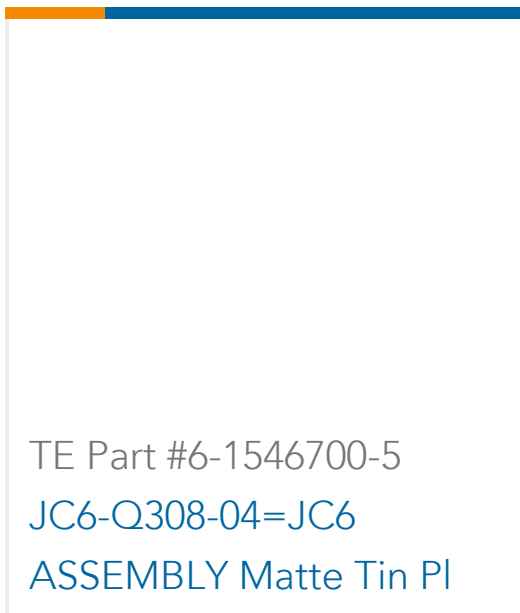
TE Part #414612-2
VERT JACK,SMB,PCB



TE Part #2007875-3
IMP100S,H,V6P10C,LG,
REW39,5.5



TE Part #2007879-3
IMP100S,H,V6P10C,RG,
LEW39,5.5



Documents

CAD Files

[3D PDF](#)

3D

Customer View Model

[ENG_CVM_CVM_9-1437514-4_O.2d_dxf.zip](#)

English

Customer View Model

[ENG_CVM_CVM_9-1437514-4_O.3d_igs.zip](#)

English

Customer View Model

[ENG_CVM_CVM_9-1437514-4_O.3d_stp.zip](#)

English

Product Specifications

[Application Specification](#)

English

Product Environmental Compliance

[TE Material Declaration](#)

English

X-ON Electronics

Largest Supplier of Electrical and Electronic Components

Click to view similar products for [IC & Component Sockets](#) category:

Click to view products by [TE Connectivity](#) manufacturer:

Other Similar products are found below :

[0066-3-17-15-30-14-02-0](#) [670](#) [672](#) [673](#) [694-13-640-00-672-000](#) [712-93-120-41-001000](#) [714-93-104-31-018000](#) [8059-4G1-LF](#) [807-22-001-10-001101](#) [807-22-001-10-006101](#) [807-22-001-30-011101](#) [807-22-001-30-012101](#) [807-22-001-30-013101](#) [807-22-001-30-014101](#) [8-1437531-4](#) [8150-6P10](#) [833-93-034-10-001000](#) [851-41-006-10-001000](#) [851-43-008-20-001000](#) [851-43-014-20-001000](#) [851-93-006-20-001000](#) [851-93-010-20-001000](#) [853-43-020-10-001000](#) [86.010.0053.0](#) [116-43-308-41-007000](#) [PX-68LCC](#) [121-13-318-41-001000](#) [121-13-320-41-001000](#) [121-13-308-41-001000](#) [123-43-314-41-801000](#) [123-43-420-41-001000](#) [122-13-316-41-001000](#) [123-13-624-41-001000](#) [123-43-306-41-001000](#) [12-3513-11](#) [123-91-320-41-001000](#) [126-43-310-41-002000](#) [AKSUN 37V-T](#) [1437503-9](#) [1437504-1](#) [146-44-308-41-013000](#) [146-43-308-41-012000](#) [160-10-308-00-001000](#) [160-40-320-00-001000](#) [214-99-306-01-670800](#) [232-1270-02-0602](#) [2-382761-4](#) [2-5331677-4](#) [2-640360-3](#) [2801-2-00-50-00-00-07-0](#)