

# 322-HCS6P2-100=HOLT CNT SKT RE ✓ ACTIVE

HOLTITE

TE Part # 4-1437514-3

TE Internal #: 322-HCS6P2-100

[View on TE.com >](#)



Connectors > Card & Socket Connectors > Discrete Sockets



Socket Length: 3.45 mm [ .136 in ]

Hole Size (Recommended): 1.61 mm [ .0635 in ]

Sealant: No

Sleeve Style: Open Bottom

Wire Size: 28 – 25 AWG

## Features

### Product Type Features

Sleeve Style	Open Bottom
Connector System	Cable-to-Board
Sealable	No
Connector & Contact Terminates To	Printed Circuit Board
Wire/Cable Type	Discrete Wire
Profile	Zero
Product Type	Contact

### Body Features

Sleeve Material	Copper
Sleeve Plating Material	Tin
Sealant	No

### Contact Features

Contact Spring Plating Material	Tin
Contact Base Material	Beryllium Copper
Contact Current Rating (Max)	5 A

Socket Type	Discrete
Contact Mating Area Plating Material	Tin
Contact Transmits (Typical)	Signal (Data)/Power
Contact Mating Area Plating Thickness	.76 $\mu$ m
Contact Type	Socket

### Termination Features

Insertion Method	Hand/Semi-Automatic/Automatic
Termination Method to Printed Circuit Board	Through Hole - Press-Fit
Termination Method to Wire & Cable	Solder

### Dimensions

Socket Length	3.45 mm[.136 in]
Hole Size (Recommended)	1.61 mm[.0635 in]
Wire Size	.081 – .162 mm <sup>2</sup>
Mating Pin Diameter Range	.51 – .76 mm[.02 – .03 in]
PCB Thickness (Recommended)	.79 – 3.18 mm[.03 – .05 in]

### Usage Conditions

Operating Temperature Range	-65 – 125 °C[-85 – 257 °F]
-----------------------------	----------------------------

### Operation/Application

Circuit Application	Signal
---------------------	--------

### Packaging Features

Packaging Quantity	2000
Packaging Method	Reel

### Other

Spring Material	Beryllium Copper
-----------------	------------------

### Product Compliance

For compliance documentation, visit the product page on [TE.com](https://www.te.com)>

EU RoHS Directive 2011/65/EU	Not Yet Reviewed
EU ELV Directive 2000/53/EC	Not Yet Reviewed
China RoHS 2 Directive MIIT Order No 32, 2016	No Restricted Materials Above Threshold
EU REACH Regulation (EC) No. 1907/2006	Current ECHA Candidate List: JAN 2019 (197)



Candidate List Declared Against: JAN 2018  
(181)

Halogen Content	Low Halogen - Br, Cl, F, I < 900 ppm per homogenous material. Also BFR/CFR/PVC Free
Solder Process Capability	Not applicable for solder process capability

Product Compliance Disclaimer

This information is provided based on reasonable inquiry of our suppliers and represents our current actual knowledge based on the information they provided. This information is subject to change. The part numbers that TE has identified as EU RoHS compliant have a maximum concentration of 0.1% by weight in homogenous materials for lead, hexavalent chromium, mercury, PBB, PBDE, DBP, BBP, DEHP, DIBP, and 0.01% for cadmium, or qualify for an exemption to these limits as defined in the Annexes of Directive 2011/65/EU (RoHS2). Finished electrical and electronic equipment products will be CE marked as required by Directive 2011/65/EU. Components may not be CE marked. Additionally, the part numbers that TE has identified as EU ELV compliant have a maximum concentration of 0.1% by weight in homogenous materials for lead, hexavalent chromium, and mercury, and 0.01% for cadmium, or qualify for an exemption to these limits as defined in the Annexes of Directive 2000/53/EC (ELV). Regarding the REACH Regulations, TE's information on SVHC in articles for this part number is still based on the European Chemical Agency (ECHA) 'Guidance on requirements for substances in articles' (Version: 2, April 2011), applying the 0.1% weight on weight concentration threshold at the finished product level. TE is aware of the European Court of Justice ruling of September 10th, 2015 also known as O5A (Once An Article Always An Article) stating that, in case of 'complex object', the threshold for a SVHC must be applied to both the product as a whole and simultaneously to each of the articles forming part of its composition. TE has evaluated this ruling based on the new ECHA "Guidance on requirements for substances in articles" (June 2017, version 4.0) and will be updating its statements accordingly.

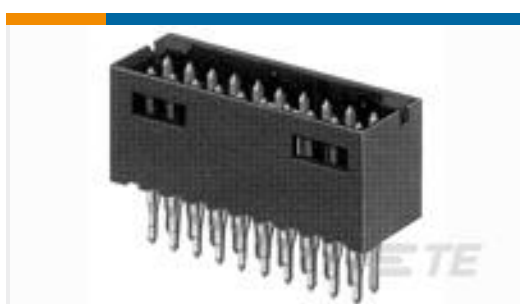
### Customers Also Bought



TE Part #1932002-1  
SFP 2-PC CAGE ASSY,  
PREASSEMBLED IN TAPE



TE Part #2102157-2  
Fortis Zd 3Pr 10Col Vert  
Full Shrd Assy



TE Part #5-102557-9  
10 MODII HDR DRST  
SHRD A/PIN



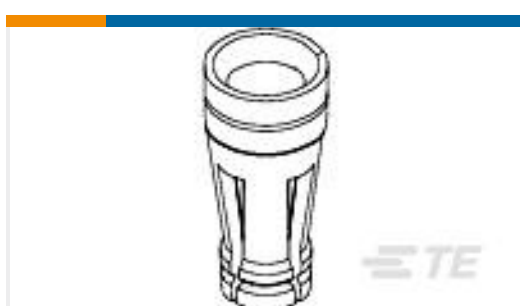
TE Part #6600393-3  
MBXL VERT HDR 6P STR



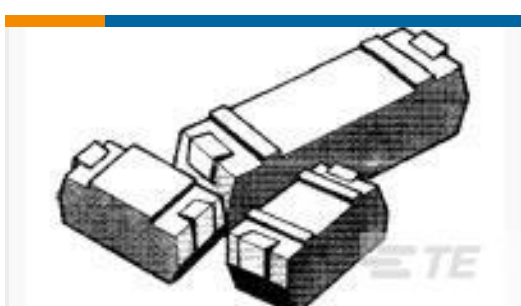
TE Part #103233-1  
04 MODII HDR DRST  
UNSHRD A/PIN



TE Part #1546462-8  
4DB-R108-08=4DB  
ASSEMBLY



TE Part #4-1437514-7  
322-HCS8P3-100=HOLT  
CNT SKT RE



TE Part #1624253-1  
SL1 R01 5%

### Documents

[CAD Files](#)

[3D PDF](#)

[3D](#)

[Customer View Model](#)



[ENG\\_CVM\\_CVM\\_4-1437514-3\\_99.2d\\_dxf.zip](#)

English

Customer View Model

[ENG\\_CVM\\_CVM\\_4-1437514-3\\_99.3d\\_igs.zip](#)

English

Customer View Model

[ENG\\_CVM\\_CVM\\_4-1437514-3\\_99.3d\\_stp.zip](#)

English

---

**Product Specifications**

[Application Specification](#)

English

## X-ON Electronics

Largest Supplier of Electrical and Electronic Components

*Click to view similar products for IC & Component Sockets category:*

*Click to view products by TE Connectivity manufacturer:*

Other Similar products are found below :

[0066-3-17-15-30-14-02-0](#) [670](#) [672](#) [673](#) [694-13-640-00-672-000](#) [712-93-120-41-001000](#) [714-93-104-31-018000](#) [8059-4G1-LF](#) [807-22-001-10-001101](#) [807-22-001-10-006101](#) [807-22-001-30-011101](#) [807-22-001-30-012101](#) [807-22-001-30-013101](#) [807-22-001-30-014101](#) [8-1437531-4](#) [8150-6P10](#) [833-93-034-10-001000](#) [851-41-006-10-001000](#) [851-43-008-20-001000](#) [851-43-014-20-001000](#) [851-93-006-20-001000](#) [851-93-010-20-001000](#) [853-43-020-10-001000](#) [86.010.0053.0](#) [116-43-308-41-007000](#) [PX-68LCC](#) [121-13-318-41-001000](#) [121-13-320-41-001000](#) [121-13-308-41-001000](#) [123-43-314-41-801000](#) [123-43-420-41-001000](#) [122-13-316-41-001000](#) [123-13-624-41-001000](#) [123-43-306-41-001000](#) [12-3513-11](#) [123-91-320-41-001000](#) [126-43-310-41-002000](#) [AKSUN 37V-T](#) [1437503-9](#) [1437504-1](#) [146-44-308-41-013000](#) [146-43-308-41-012000](#) [160-10-308-00-001000](#) [160-40-320-00-001000](#) [214-99-306-01-670800](#) [232-1270-02-0602](#) [2-382761-4](#) [2-5331677-4](#) [2-640360-3](#) [2801-2-00-50-00-00-07-0](#)