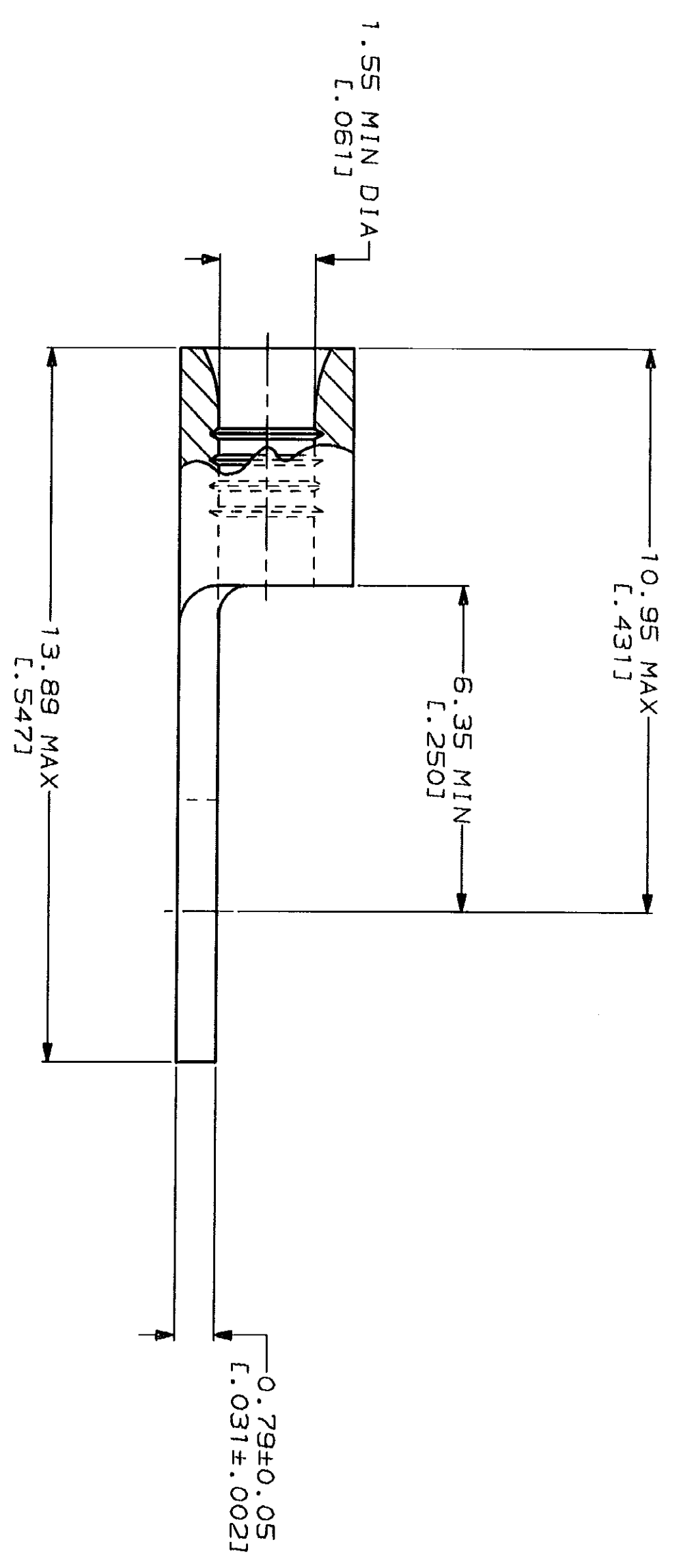
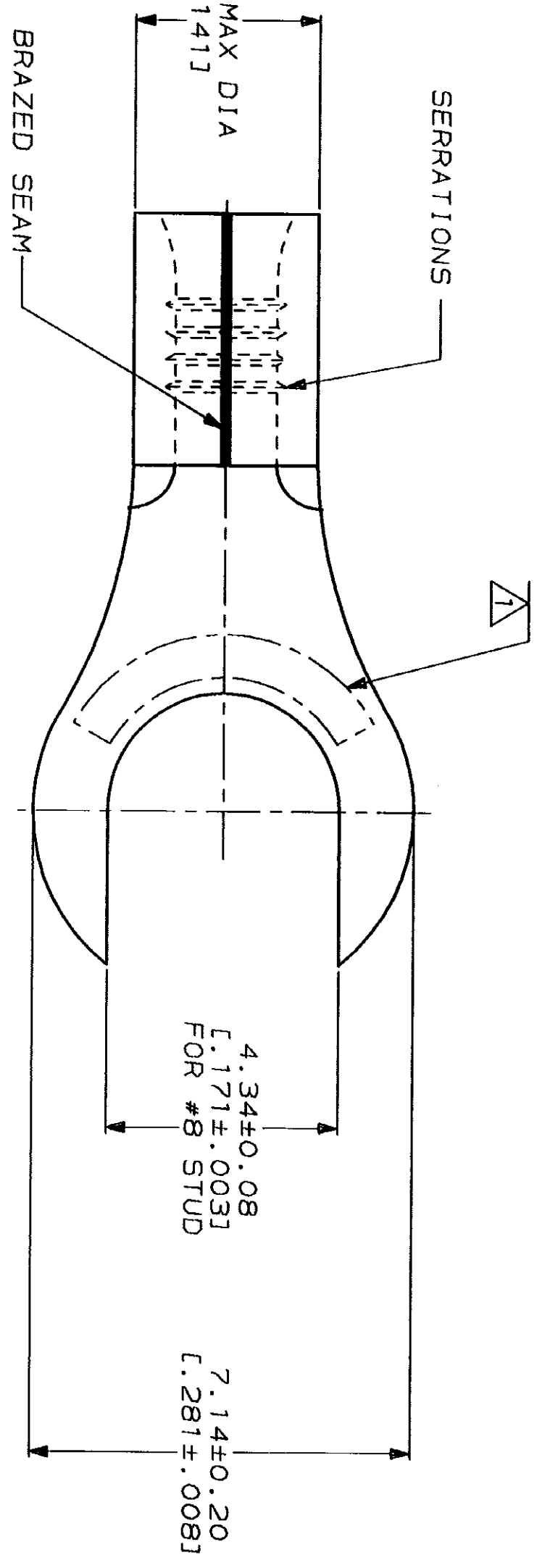


LOC	DIST	ZONE	LTR	DESCRIPTION	DATE	APPD
G	14	F	E	REV & REDRAWN PER 0720-0040-93	4-8-93	18 DAP

METRIOR
 DIMENSIONS LISTED IN MM [INCHES]

AMP WIRE RANGE	UL E13288 Listed
22-16 AWG SOLID OR STRANDED	22-16 AWG SOLID OR STRANDED
LR7189 Certified	MILITARY P/N AND CLASS
22-16 AWG SOLID OR STRANDED	NOT APPLICABLE



△ STAMP AMP 22-18* APPROX AS SHOWN
 22-16 TERMINALS ARE STAMPED 22-18 IN
 ACCORDANCE WITH MILITARY SPECIFICATION
 MIL-T-7928, COMMERCIAL WIRE RANGE IS 22-16

**AMP INCORPORATED
 CUSTOMER SERVICE SYSTEMS**

FOR ADDITIONAL
 PRODUCT INFORMATION OR
 COPIES OF DRAWINGS
 AND TECHNICAL DOCUMENTS
 FOR APPLICATION
 TOOLING INFORMATION
 FOR ORDER ENTRY

MAX RECOMMENDED OPERATING
 TEMPERATURE:
 170°C MAX

VOLTAGE RATING:
 NOT APPLICABLE

WIRE CROSS SECTIONAL AREA RANGE:
 0.26-1.65mm² [509-3,260] CIR MILS
 SOLID OR STRANDED

DO NOT SCALE PRINT.
 UNLESS SPECIFIED
 DIMENSIONS IN mm [INCHES]
 TOLERANCES IN:
 1. PLC DEC ±
 2. PLC DEC ±
 3. PLC DEC ±
 ANGLES ±

MATERIAL
 COPPER PER
 ASTM B-152
 ANNEALED

FINISH
 TIN PLATE
 0.00254 [0.001001] MIN
 THK PER MIL-T-10727

DR 4-8-93 TA BRINKMAN	CHK 4-8-93 DA PATTERSON
APPD 4-8-93 DE MILLER	APPD 4-8-93 JL MECKLEY

APPLICATION SPEC

WEIGHT

AMP
 AMP Incorporated
 Harrisburg, PA 17105-3608

TERMINAL, SLOTTED
 RING TONGUE, SOLISTRAND™

SIZE CAGE CODE DRAWING NO
 00779 323129

323129
 PART NO

X-ON Electronics

Largest Supplier of Electrical and Electronic Components

Click to view similar products for [Terminals](#) category:

Click to view products by [TE Connectivity](#) manufacturer:

Other Similar products are found below :

[00-054007-01074-6](#) [00-054007-70206-1](#) [00-054007-70210-8](#) [00-054007-70217-7](#) [00-054007-70226-9](#) [00-054007-70228-3](#) [00-054007-70248-1](#) [00-054007-70256-6](#) [00-054007-70301-3](#) [00-054007-70316-7](#) [00-054007-49560-4](#) [00-054007-70209-2](#) [00-054007-70225-2](#) [00-054007-70227-6](#) [00-054007-70231-3](#) [00-054007-70241-2](#) [00-054007-70242-9](#) [00-054007-70244-3](#) [00-054007-70246-7](#) [00-054007-70263-4](#) [00-054007-70288-7](#) [00-054007-70290-0](#) [00-054007-70300-6](#) [00-054007-70304-4](#) [01-2065-1-0216](#) [01-2900-1-04412](#) [00581P0075](#) [600TS-10](#) [60205-1](#) [604200-1](#) [605601-1](#) [60598-1-CUT-TAPE](#) [61314-6-C](#) [61810-3](#) [61-S](#) [61-SN](#) [626-0194](#) [62-NBM-A](#) [62-SN](#) [62-SP](#) [63-S](#) [640179-1](#) [M55155/059I03](#) [M55155/079C01](#) [M55155/099H02](#) [M55155/109H01](#) [M55155/109H02](#) [M55155/12XH05](#) [M55155/16XH02](#) [M55155/29-5S](#)