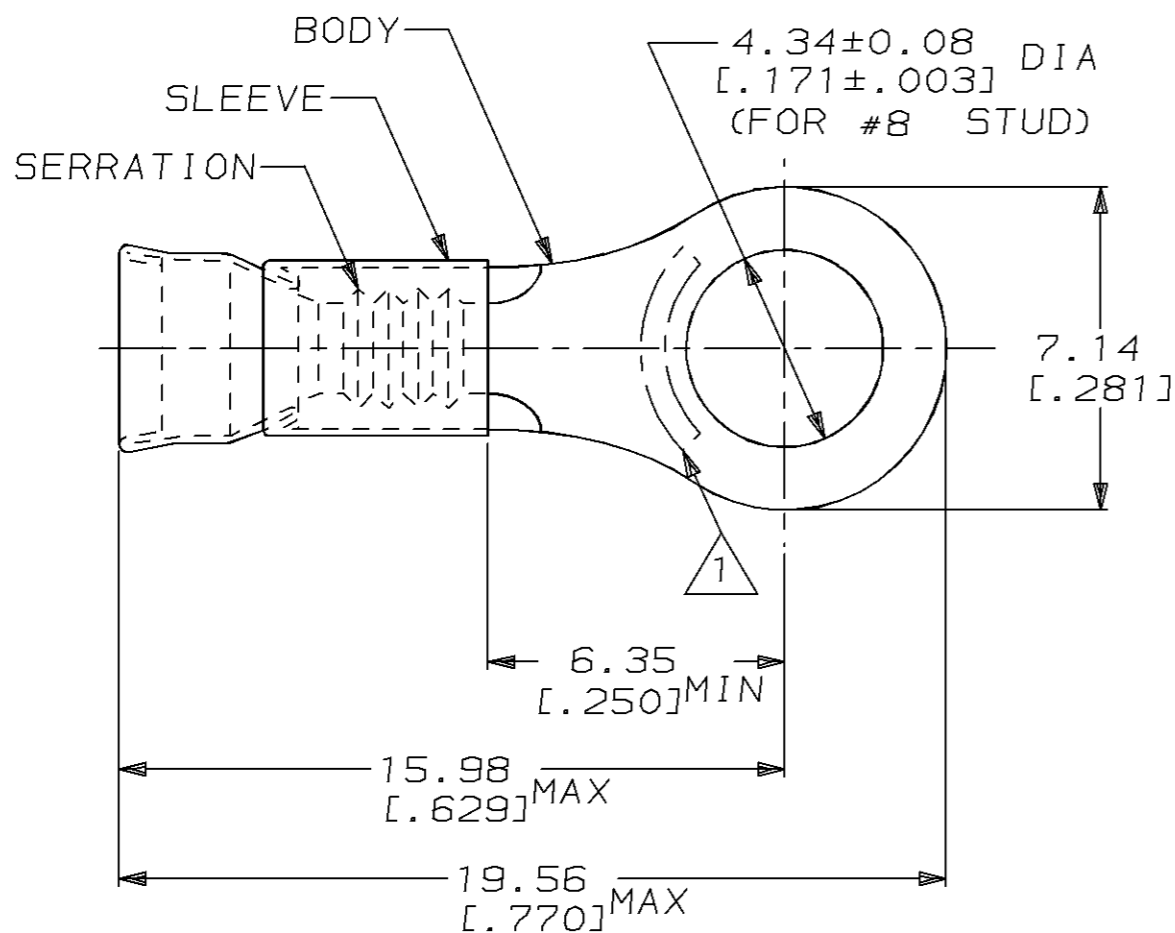


THIS DRAWING IS UNPUBLISHED. RELEASED FOR PUBLICATION ,19 .

© COPYRIGHT 19 BY AMP INCORPORATED. ALL RIGHTS RESERVED.

| LOC | DIST | REVISIONS | | | |
|-----|------|-------------|--------------------|---------|-------|
| P | LTR | DESCRIPTION | DATE | DWN | APVD |
| G | 14 | G | REV / 0L20-0014-96 | 28OCT96 | ME TM |



- 1 STAMP AMP 22-18*APPROX AS SHOWN
22-16 TERMINALS ARE STAMPED 22-18 IN
ACCORDANCE WITH MILITARY SPEC MIL-T-7928
COMMERCIAL WIRE RANGE IS 22-16
- 2. WIRE INSUL DIA, 1.30-2.79 [0.051-.110]
- 3. TONGUE MATL THK, 0.79±0.05 [0.031±0.002]
- 4 NICKEL PL PER QQ-N-290
- 5 GOLD PL PER MIL-G-45204 OVER
NICKEL PL PER QQ-N-290

| QTY | PACKAGE TYPE | PART NO |
|------|---------------|----------|
| 1000 | LOOSE PIECE | 323152-2 |
| 5000 | ON TAPE, REEL | 323152-1 |
| 1000 | LOOSE PIECE | 323152 |

| | | | | | | | |
|--|--|---|--|------------------------|--|---|---------------------------|
| AMP INCORPORATED CUSTOMER SERVICE SYSTEM | | MAX RECOMMENDED OPERATING TEMPERATURE: 343°C [650°F] | THIS DRAWING IS A CONTROLLED DOCUMENT FOR AMP INCORPORATED. IT IS SUBJECT TO CHANGE AND THE CONTROLLING ENGINEERING ORGANIZATION SHOULD BE CONTACTED FOR THE LATEST REVISION. | | DWN L OLMEDA 100CT94 | AMP Incorporated Harrisburg, PA 17105-3608 | |
| FOR ADDITIONAL PRODUCT INFORMATION OR COPIES OF DRAWINGS AND TECHNICAL DOCUMENTS | PRODUCT INFORMATION CENTER 1-800-522-6752 | | VOLTAGE RATING: - | DIMENSIONS: mm [in] | TOLERANCES UNLESS OTHERWISE SPECIFIED: 0 PLC ±- 1 PLC ±- 2 PLC ±0.20 [0.008] 3 PLC ±- 4 PLC ±- ANGLES ±- | | CHK M ELLIS 100CT94 |
| FOR APPLICATION TOOLING INFORMATION | TOOLING ASSISTANCE CENTER 1-800-722-1111 | CIRCULAR MIL AREA: 0.26mm²-1.65mm² [509-3260] | MATERIAL BODY, CU PER ASTM B152 SLEEVE, NI SIL PER ASTM B122 | | FINISH SEE TABLE | APVD S BORTNER 100CT94 | PRODUCT SPEC - |
| FOR ORDER ENTRY | 1-800-526-5142 | STRANDED WIRE | CUSTOMER DRAWING | | WEIGHT - | APPLICATION SPEC - | SIZE A3 |
| | | | | | CAGE CODE 00779 | | DRAWING NO G-323152 |
| | | | | | SCALE 6:1 | | SHEET 1 OF 1 |
| | | | | | | | REV G |

X-ON Electronics

Largest Supplier of Electrical and Electronic Components

Click to view similar products for [Terminals](#) category:

Click to view products by [TE Connectivity](#) manufacturer:

Other Similar products are found below :

[00-054007-01074-6](#) [00-054007-70206-1](#) [00-054007-70210-8](#) [00-054007-70217-7](#) [00-054007-70226-9](#) [00-054007-70228-3](#) [00-054007-70248-1](#) [00-054007-70256-6](#) [00-054007-70301-3](#) [00-054007-70316-7](#) [0-0320562-0](#) [00-054007-49560-4](#) [00-054007-70209-2](#) [00-054007-70225-2](#) [00-054007-70227-6](#) [00-054007-70231-3](#) [00-054007-70241-2](#) [00-054007-70242-9](#) [00-054007-70244-3](#) [00-054007-70246-7](#) [00-054007-70263-4](#) [00-054007-70288-7](#) [00-054007-70290-0](#) [00-054007-70300-6](#) [00-054007-70304-4](#) [01-2065-1-0216](#) [01-2900-1-04412](#) [00581P0075](#) [600TS-10](#) [60205-1](#) [604200-1](#) [605601-1](#) [60598-1-CUT-TAPE](#) [61314-6-C](#) [61810-3](#) [61-S](#) [61-SN](#) [626-0194](#) [62-NBM-A](#) [62-SN](#) [62-SP](#) [63-S](#) [640179-1](#) [M55155/059I03](#) [M55155/079C01](#) [M55155/099H02](#) [M55155/109H01](#) [M55155/109H02](#) [M55155/12XH05](#) [M55155/16XH02](#)