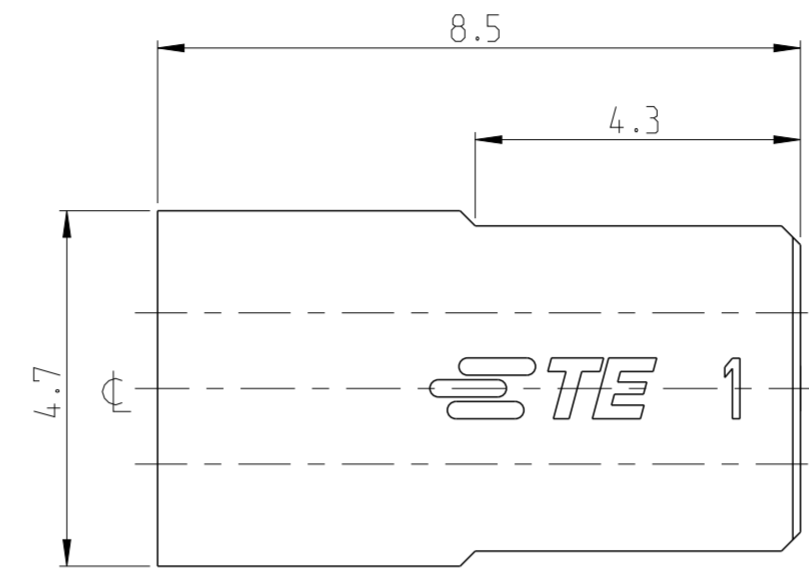
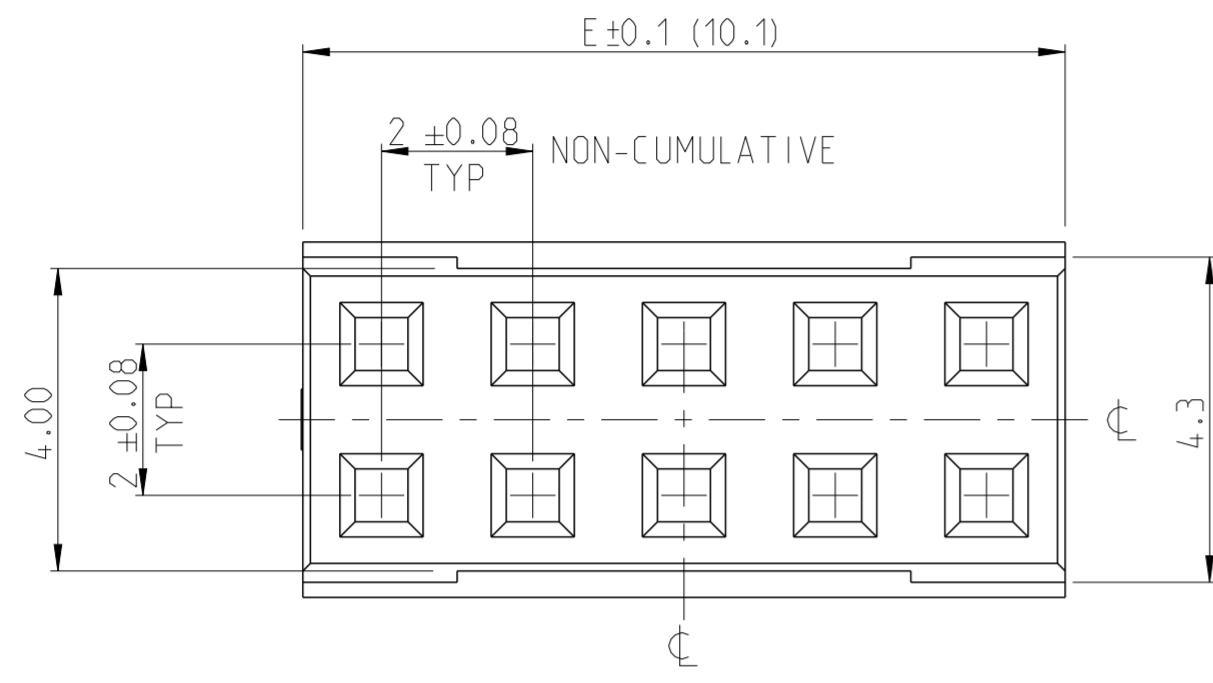


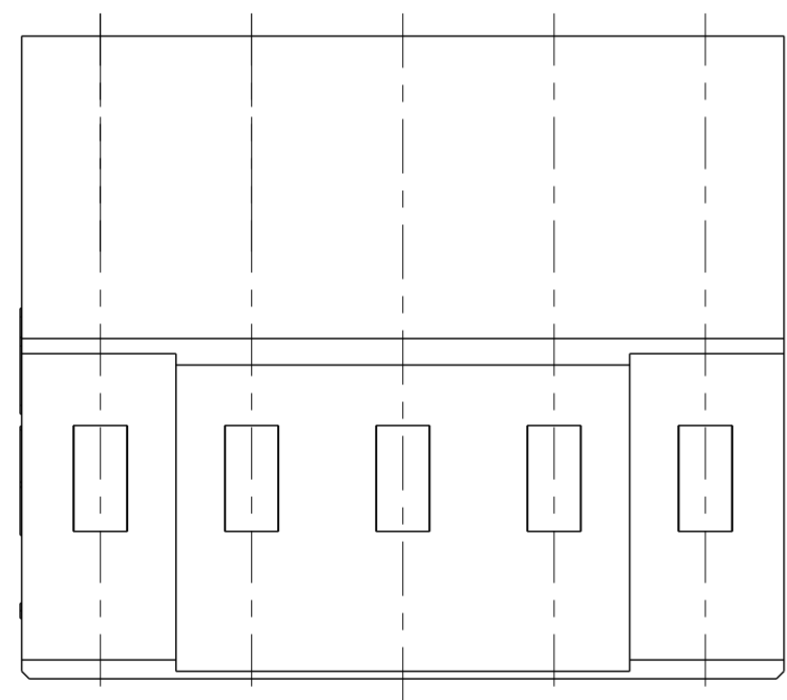
THIS DRAWING IS UNPUBLISHED. RELEASED FOR PUBLICATION  
 © COPYRIGHT 2017 TE Connectivity ALL RIGHTS RESERVED.

REVISIONS				
P	LTR	DESCRIPTION	DATE	APVD
	A	RELEASE TO PRODUCTION	02APR2020	AY PS



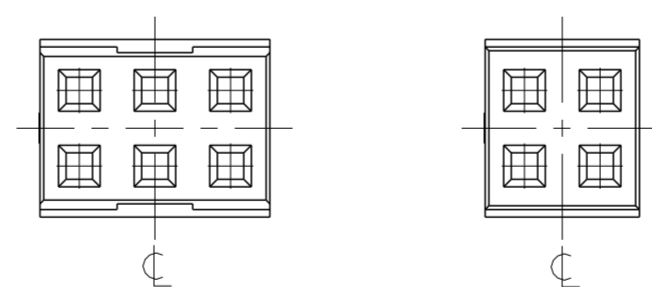
NOTES:

1. MATERIAL:  
LCP BLACK, UL94 V0
2. N = NUMBER OF POSITION PER HOUSING.
3. HOUSING TO BE USED WITH CRIMP CONTACTS  
2316113 (AWG 28-24/0.08-0.22 mm<sup>2</sup>) AND  
2316114 (AWG 30-28/0.05-0.08 mm<sup>2</sup>)
4. PACKAGING : BULK BOX

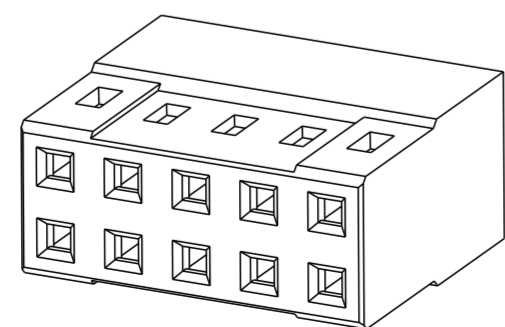


CENTERLINE FOR ODD AND EVEN POSITION HOUSINGS

SCALE 5:1



DUAL ROW HOUSING  
PLAIN VERSION  
1- -0 AS SHOWN



SCALE 5:1

BOX PACKAGING		
5-2316108-0	50.1	50
4-2316108-8	48.1	48
4-2316108-6	46.1	46
4-2316108-4	44.1	44
4-2316108-2	42.1	42
4-2316108-0	40.1	40
3-2316108-8	38.1	38
3-2316108-6	36.1	36
3-2316108-4	34.1	34
3-2316108-2	32.1	32
3-2316108-0	30.1	30
2-2316108-8	28.1	28
2-2316108-6	26.1	26
2-2316108-4	24.1	24
2-2316108-2	22.1	22
2-2316108-0	20.1	20
1-2316108-8	18.1	18
1-2316108-6	16.1	16
1-2316108-4	14.1	14
1-2316108-2	12.1	12
1-2316108-0	10.1	10
2316108-8	8.1	8
2316108-6	6.1	6
2316108-4	4.1	4
PART NO.	DIM "E"	N

THIS DRAWING IS A CONTROLLED DOCUMENT.		DWN RAKSHITH R NAYAK 29OCT2017	TE Connectivity	
DIMENSIONS: mm		CHK RAKSHITH R NAYAK 29OCT2017		
TOLERANCES UNLESS OTHERWISE SPECIFIED:		APVD PRASHANTH S 11DEC2017	NAME AMPMODU 2mm RECEPTACLE, wTB HOUSING, CRIMP, DUAL ROW, PLAIN	
0 PLC ±		PRODUCT SPEC 108-64040-1	SIZE CAGE CODE DRAWING NO RESTRICTED TO	
1 PLC ±0.15		APPLICATION SPEC 114-32173	A2100779 C-2316108	
2 PLC ±0.10		WEIGHT -	SCALE 10:1 SHEET 1 OF 1 REV A	
3 PLC ±		CUSTOMER DRAWING		
4 PLC ±				
ANGLES ±2°				
FINISH -				
MATERIAL SEE NOTE 1				

## X-ON Electronics

Largest Supplier of Electrical and Electronic Components

*Click to view similar products for [Headers & Wire Housings](#) category:*

*Click to view products by [TE Connectivity](#) manufacturer:*

Other Similar products are found below :

[892-18-020-10-001101](#) [58102-G61-06LF](#) [582553-1](#) [0009485154](#) [009176003701906](#) [0050291907](#) [LY20-4P-DT1-P1E-BR](#) [02.125.8002.8](#)  
[609-3404](#) [61062-3](#) [61082-181009](#) [622-3653LF](#) [63453-116](#) [636-1030](#) [636-1427](#) [636-3427](#) [636-4007](#) [641938-9](#) [641991-4](#) [644827-2](#) [65817-](#)  
[010LF](#) [65817-015LF](#) [65863-015LF](#) [66207-023LF](#) [67095-007LF](#) [67601157](#) [68645-018](#) [68648-049](#) [70.362.1628.0](#) [70-4210](#) [70-4226B](#) [70-](#)  
[4853B](#) [707-5020](#) [707-5028](#) [71.350.2428.0](#) [71918-208LF](#) [71961-016LF](#) [733-134](#) [733-162](#) [754199-000](#) [760-3052](#) [787-8014-00](#) [79531-3000](#)  
[FCN-360C032-B](#) [FCN-367T-T012/H](#) [FCN-723D010/2](#) [80.063.4001.1](#) [800-90-001-10-001000](#) [800-90-010-10-002000](#) [801-43-002-10-013000](#)