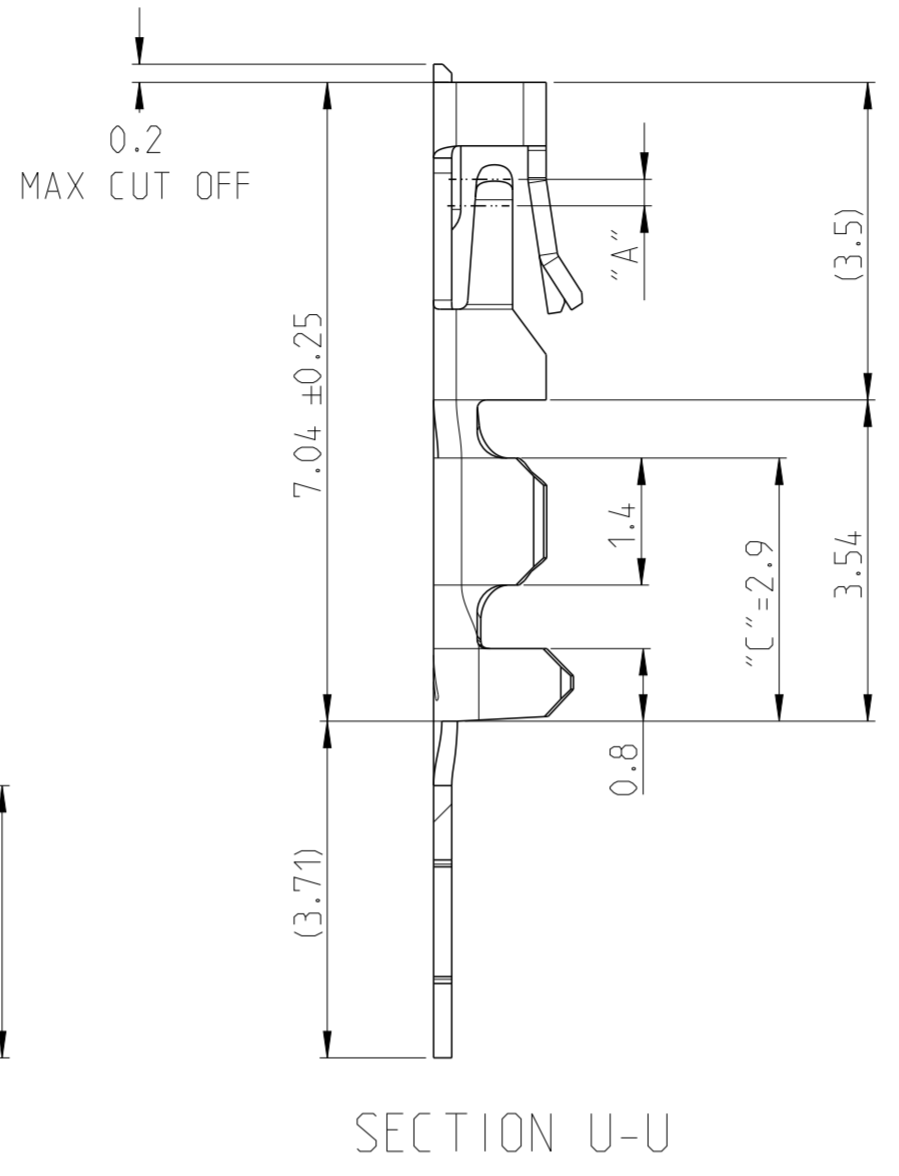
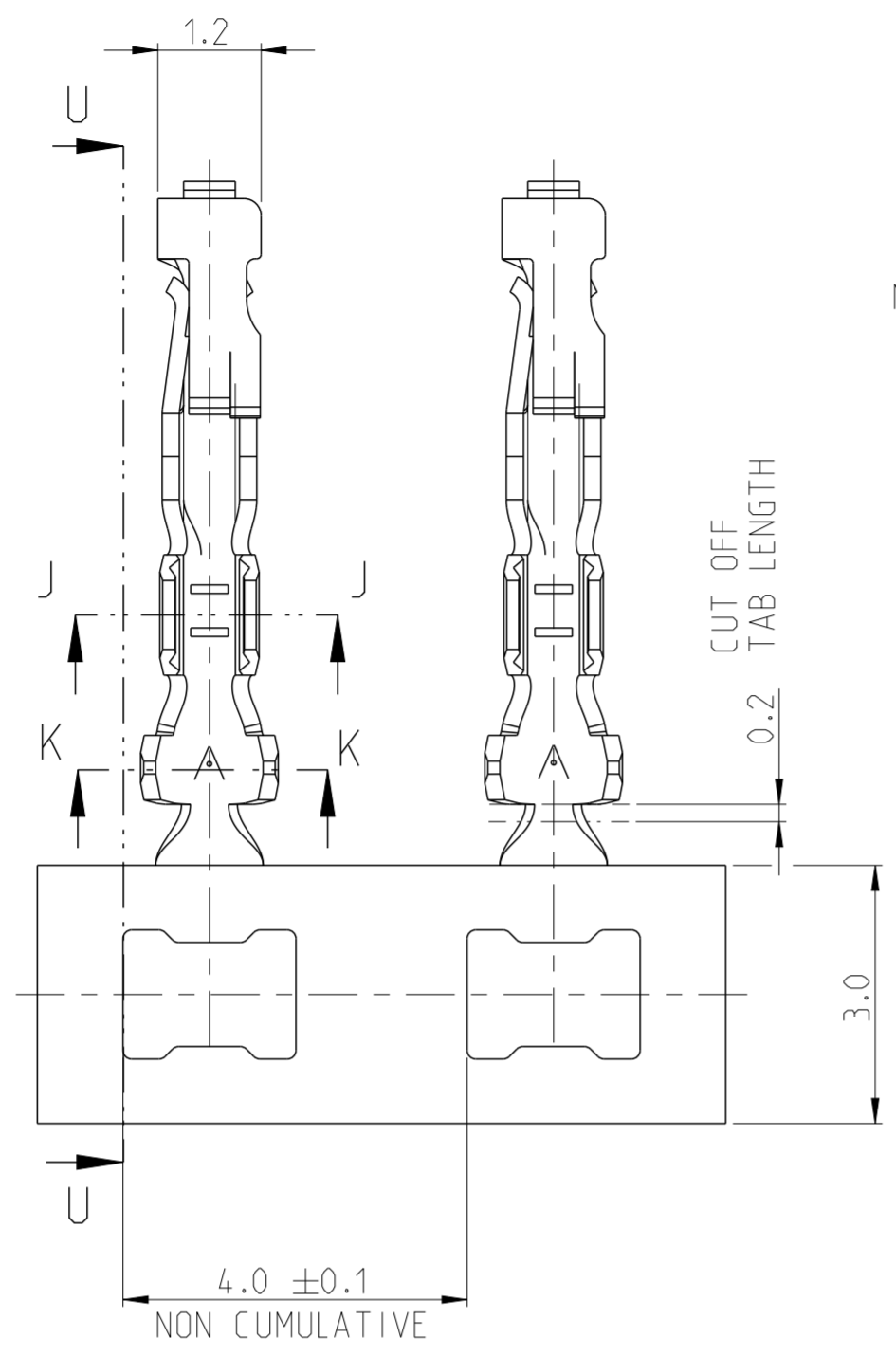
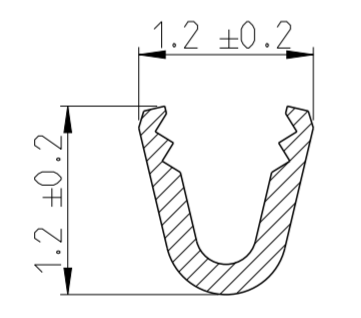


THIS DRAWING IS UNPUBLISHED. RELEASED FOR PUBLICATION  
 © COPYRIGHT 2017 TE Connectivity ALL RIGHTS RESERVED.

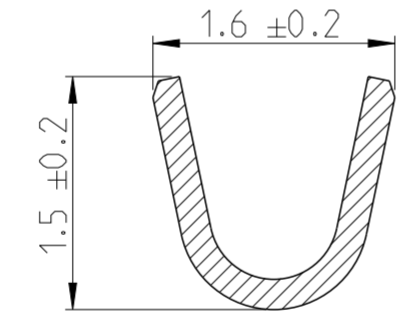
REVISIONS				
P	LTR	DESCRIPTION	DATE	APVD
	A	RELEASE TO PRODUCTION	18 JUN 2020	AY PS



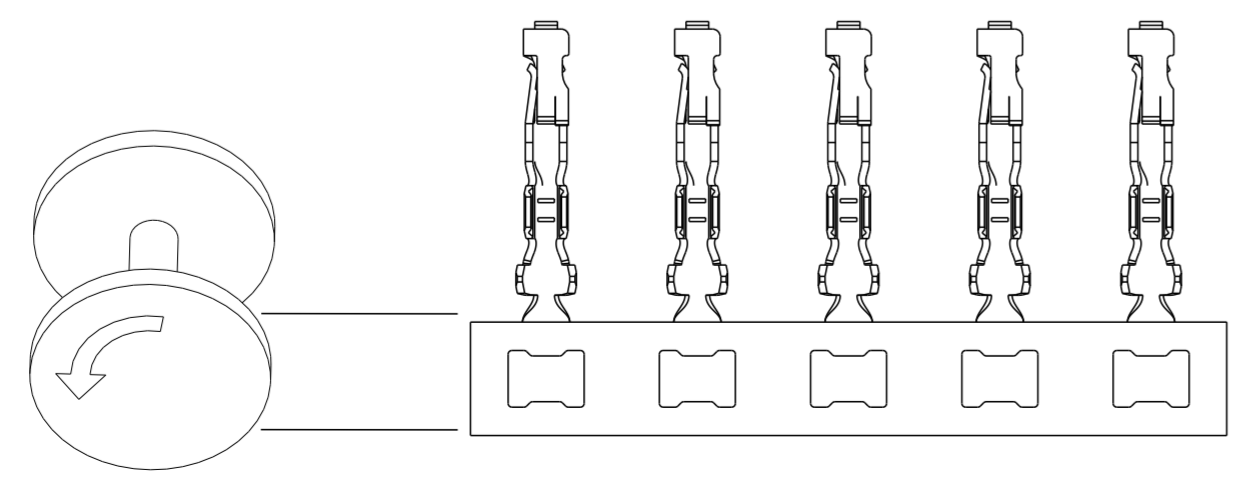
- NOTES:
- 1 MATERIAL: PHOSPHOR BRONZE, 0.2mm THICK
  - 2 FINISH: 1.27-2.54 μm TIN ALL OVER UNDERPLATE 1.27 μm MIN NICKEL ALL OVER
  - 3 CONTACT AREA "A": MIN 0.1 μm THK GOLD CRIMP AREA "C" : 1.27 - 2.54 μm THK TIN UNDERPLATE 1.27 μm MIN NICKEL ALL OVER
  - 4 CONTACT AREA "A" : MIN 0.38 μm THK GOLD CRIMP AREA "C" : 1.27 - 2.54 μm THK TIN UNDERPLATE 1.27 μm MIN NICKEL ALL OVER
  - 5 CONTACT AREA "A" : MIN 0.76 μm THK GOLD CRIMP AREA "C" : 1.27 - 2.54 μm THK TIN UNDERPLATE 1.27 μm MIN NICKEL ALL OVER
6. APPLICABLE HOUSINGS :  
 SINGLE ROW : 2316102  
 DUAL ROW : 2316108, 2316109



SECTION J-J  
20:1



SECTION K-K  
20:1



(CRIMP UP)

WIRE RANGE: 0.05-0.08 mm<sup>2</sup> (30-28 AWG)  
 INSULATION RANGE: Ø0.5-Ø1.0mm

5	-	5-2316114-6	LOOSE PIECE - HANDTOOL
5	30,000	5-2316114-5	FOR OCEAN APPLICATOR
4	-	4-2316114-5	LOOSE PIECE - HANDTOOL
4	30,000	4-2316114-4	FOR OCEAN APPLICATOR
3	-	3-2316114-4	LOOSE PIECE - HANDTOOL
3	30,000	3-2316114-3	FOR OCEAN APPLICATOR
2	-	2-2316114-3	LOOSE PIECE - HANDTOOL
2	30,000	2-2316114-2	FOR OCEAN APPLICATOR
FINISH	QTY PER REEL	PART NUMBER	TOOLING

THIS DRAWING IS A CONTROLLED DOCUMENT.

DIMENSIONS: mm	TOLERANCES UNLESS OTHERWISE SPECIFIED:	DWN SOURAV DAS 29OCT2017	TE Connectivity
	0 PLC ±	CHK RAKSHITH R NAYAK 29OCT2017	
	1 PLC ±0.15	APVD PRASHANTH 08DEC2017	
	2 PLC ±0.10	PRODUCT SPEC 108-64040-1	
MATERIAL SEE NOTE	FINISH -	APPLICATION SPEC 114-32173	NAME AMPMODU 2mm RECEPTACLE, wTB CRIMP CONTACT, AWG 30-28
WEIGHT -	CUSTOMER DRAWING	SIZE A2	CAGE CODE 00779
		SCALE 5:1	DRAWING NO C-2316114
		SHEET 1 OF 1	RESTRICTED TO -
		REV A	

## X-ON Electronics

Largest Supplier of Electrical and Electronic Components

*Click to view similar products for [Terminals](#) category:*

*Click to view products by [TE Connectivity](#) manufacturer:*

Other Similar products are found below :

[00-054007-01074-6](#) [00-054007-70206-1](#) [00-054007-70210-8](#) [00-054007-70217-7](#) [00-054007-70226-9](#) [00-054007-70228-3](#) [00-054007-70248-1](#) [00-054007-70256-6](#) [00-054007-70301-3](#) [00-054007-70316-7](#) [00-054007-49560-4](#) [00-054007-70209-2](#) [00-054007-70225-2](#) [00-054007-70227-6](#) [00-054007-70231-3](#) [00-054007-70241-2](#) [00-054007-70242-9](#) [00-054007-70244-3](#) [00-054007-70246-7](#) [00-054007-70263-4](#) [00-054007-70288-7](#) [00-054007-70290-0](#) [00-054007-70300-6](#) [00-054007-70304-4](#) [01-2065-1-0216](#) [01-2900-1-04412](#) [00581P0075](#) [600TS-10](#) [60205-1](#) [604200-1](#) [605601-1](#) [60598-1-CUT-TAPE](#) [61314-6-C](#) [61810-3](#) [61-S](#) [61-SN](#) [626-0194](#) [62-NBM-A](#) [62-SN](#) [62-SP](#) [63-S](#) [640179-1](#) [M55155/059I03](#) [M55155/079C01](#) [M55155/099H02](#) [M55155/109H01](#) [M55155/109H02](#) [M55155/12XH05](#) [M55155/16XH02](#) [M55155/29-5S](#)