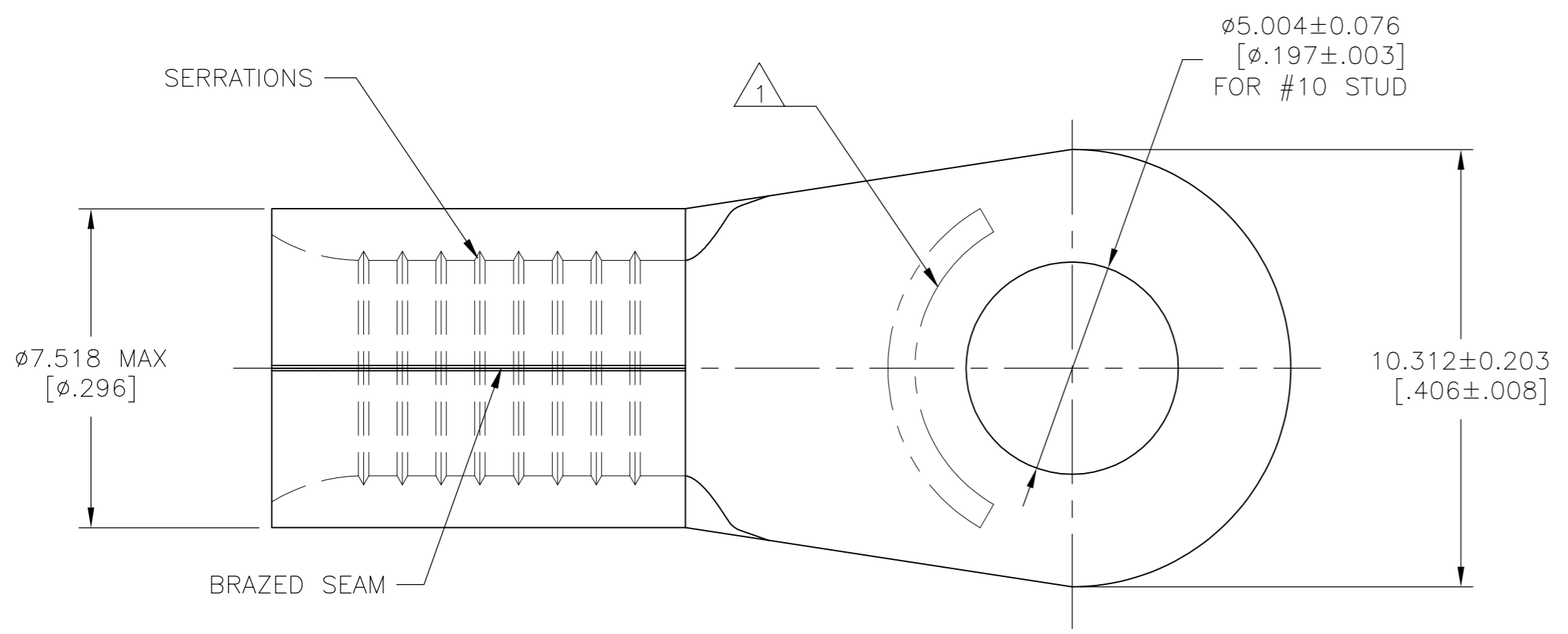


THIS DRAWING IS UNPUBLISHED.  
 RELEASED FOR PUBLICATION  
 ALL RIGHTS RESERVED.

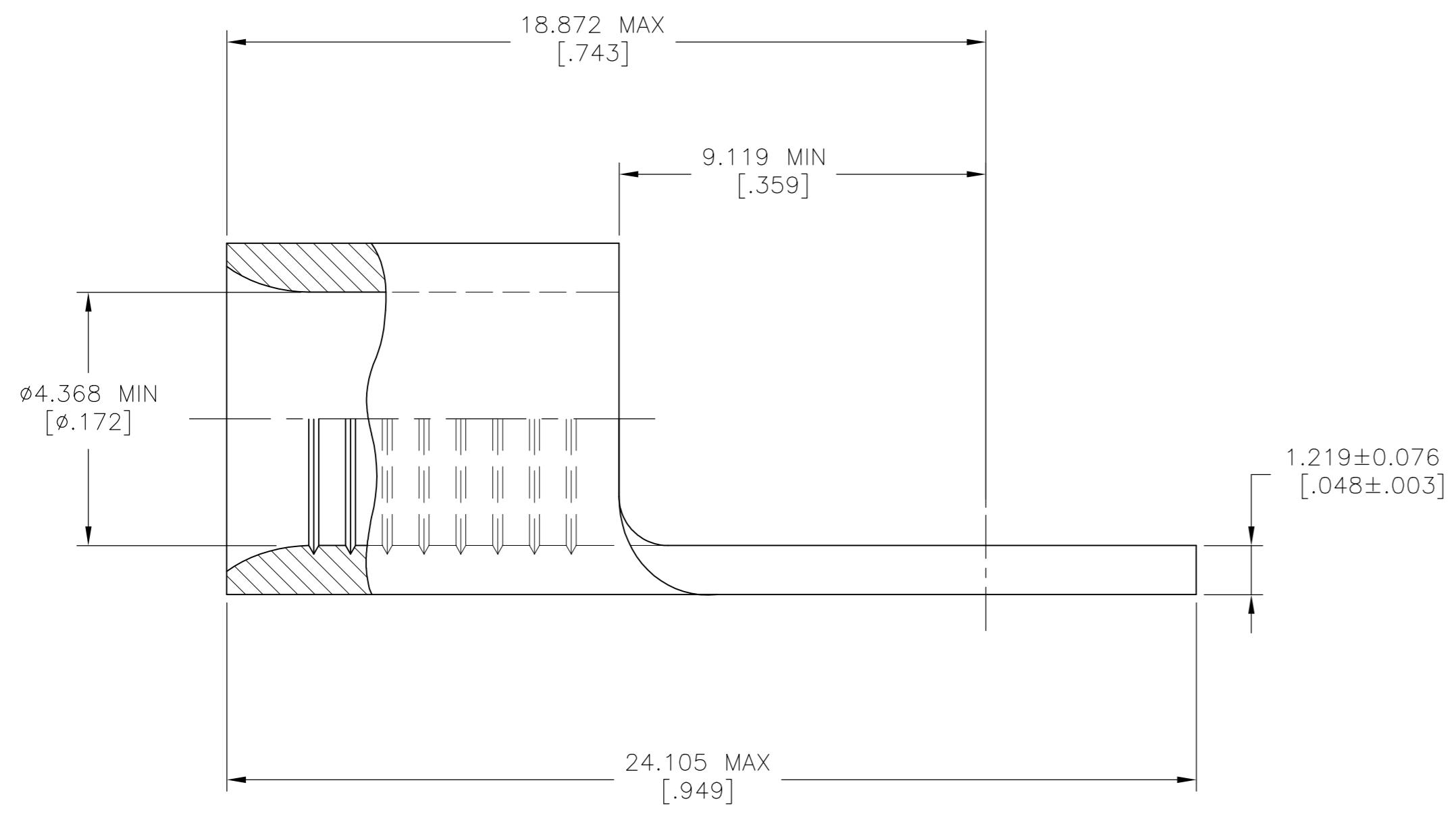
REVISIONS					
P	LTR	DESCRIPTION	DATE	DWN	APVD
	C2	REVISED PER ECO-11-004917	11MAR11	RK	HMR
	C3	REVISED PER ECO-18-002105	27FEB2018	RS	DR



**AMP**  
WIRE RANGE

8 AWG  
SOLID OR STRANDED

- 1 STAMP AMP 8\* APPROX AS SHOWN
- 2 COPPER PR ASTM B-152, ANNEALED
- 3 NICKEL PLATE 0.00762 [.000300] MIN EXT THK PER SAE AMS QQ-N-290.



PRELIMINARY	2000	BULK/BAG	323165-1
	100	LOOSE PIECE	323165
	QUANTITY	PACKAGE TYPE	PART NO

MAX RECOMMENDED OPERATING TEMPERATURE: 343°C[649°F] MAX	THIS DRAWING IS A CONTROLLED DOCUMENT.		DWN TA BRINKMAN 4-19-93	TE Connectivity Ltd.		
	VOLTAGE RATING: N/A	DIMENSIONS: mm [INCHES]	CHK DA PATTERSON 4-19-93			NAME
CIRCULAR MIL AREA: 6.64-10.50mm <sup>2</sup> [13,100-20,800] SOLID OR STRANDED	TOLERANCES UNLESS OTHERWISE SPECIFIED: 0 PLC ± - 1 PLC ± - 2 PLC ± - 3 PLC ± 0.127[.005] 4 PLC ± - ANGLES ± -		APVD JL MECKLEY 4-19-93	PRODUCT SPEC 108-32046		
			MATERIAL - 2	FINISH - 3	APPLICATION SPEC 114-2162	SIZE A2
CUSTOMER DRAWING			SCALE 8:1	SHEET 1 of 1	REV C3	

## X-ON Electronics

Largest Supplier of Electrical and Electronic Components

*Click to view similar products for [Terminals](#) category:*

*Click to view products by [TE Connectivity](#) manufacturer:*

Other Similar products are found below :

[00-054007-01074-6](#) [00-054007-70206-1](#) [00-054007-70210-8](#) [00-054007-70217-7](#) [00-054007-70226-9](#) [00-054007-70228-3](#) [00-054007-70248-1](#) [00-054007-70256-6](#) [00-054007-70301-3](#) [00-054007-70316-7](#) [0-0320562-0](#) [00-054007-49560-4](#) [00-054007-70209-2](#) [00-054007-70225-2](#) [00-054007-70227-6](#) [00-054007-70231-3](#) [00-054007-70241-2](#) [00-054007-70242-9](#) [00-054007-70244-3](#) [00-054007-70246-7](#) [00-054007-70263-4](#) [00-054007-70288-7](#) [00-054007-70290-0](#) [00-054007-70300-6](#) [00-054007-70304-4](#) [01-2065-1-0216](#) [01-2900-1-04412](#) [00581P0075](#) [600TS-10](#) [60205-1](#) [604200-1](#) [605601-1](#) [60598-1-CUT-TAPE](#) [61314-6-C](#) [61810-3](#) [61-S](#) [61-SN](#) [626-0194](#) [62-NBM-A](#) [62-SN](#) [62-SP](#) [63-S](#) [640179-1](#) [M55155/059I03](#) [M55155/079C01](#) [M55155/099H02](#) [M55155/109H01](#) [M55155/109H02](#) [M55155/12XH05](#) [M55155/16XH02](#)