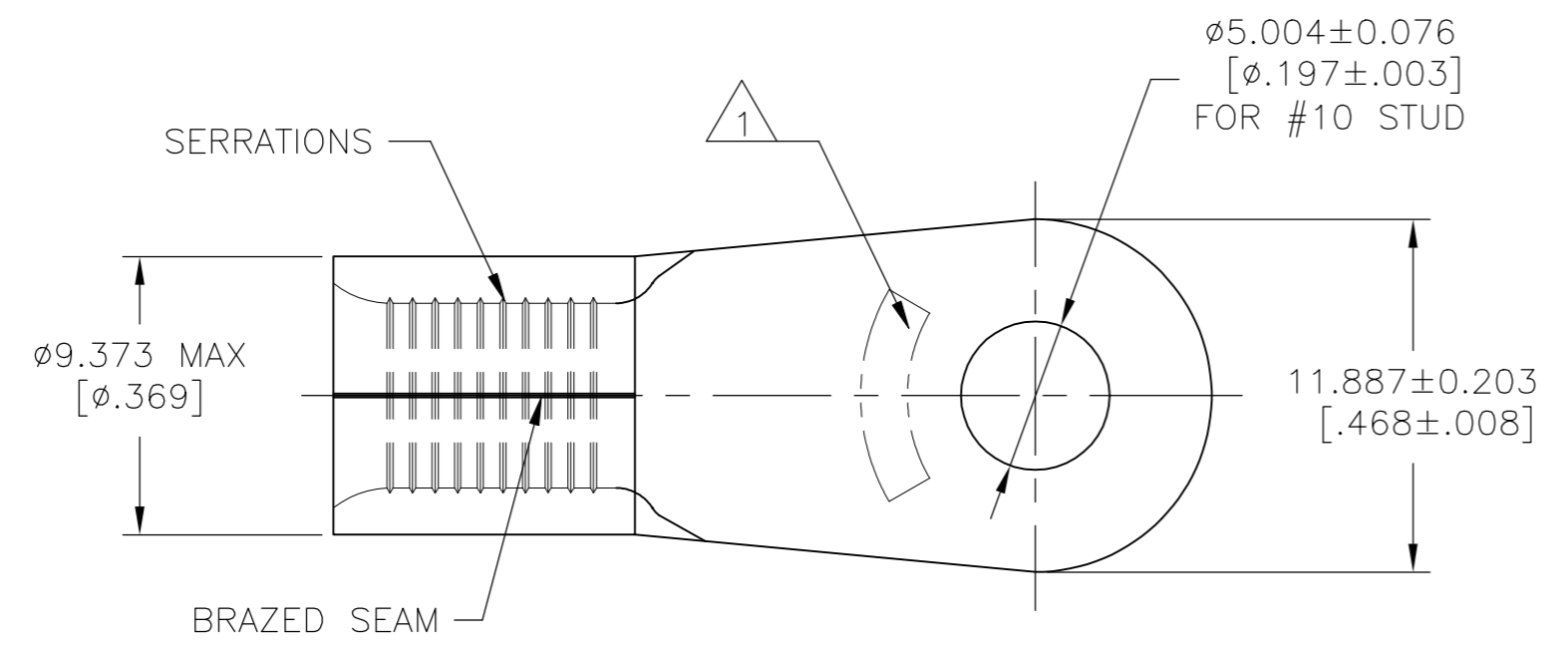


THIS DRAWING IS UNPUBLISHED. RELEASED FOR PUBLICATION
 © COPYRIGHT - TE Connectivity Ltd. ALL RIGHTS RESERVED.

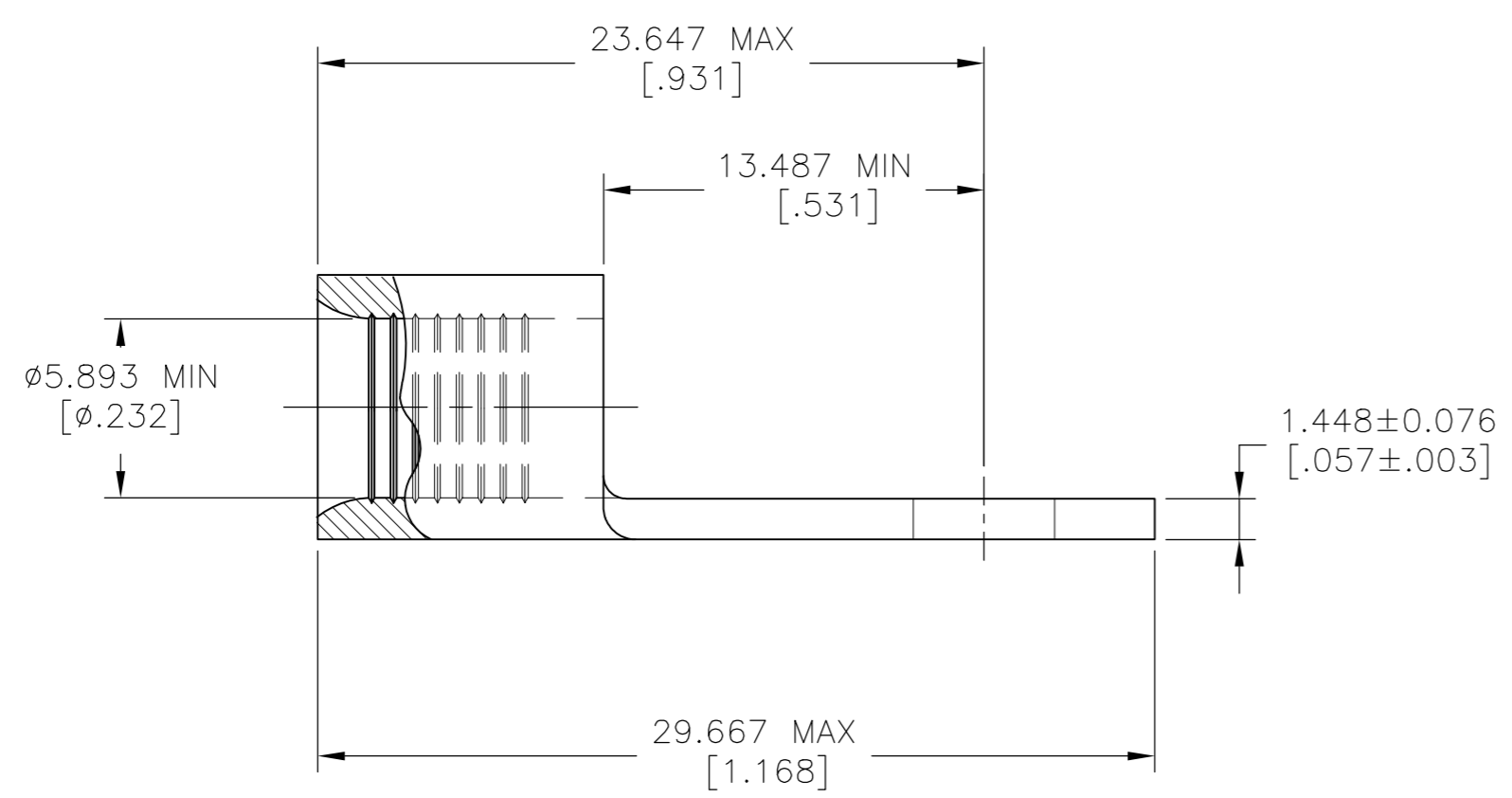
| REVISIONS | | | | | |
|-----------|-----|--------------------------------|-----------|-----|------|
| P | LTR | DESCRIPTION | DATE | DWN | APVD |
| | B | REV & REDRAWN PER 0720-0061-93 | 4-19-93 | - | DAP |
| | B1 | REVISED PER ECO-18-002105 | 27FEB2018 | RS | DR |



AMP
 WIRE RANGE

6 AWG
 SOLID OR STRANDED

1 STAMP AMP 6* APPROX AS SHOWN



| | | | |
|-------------|----------|--------------|----------|
| PRELIMINARY | 2000 | BULK/BAG | 323169-1 |
| | 100 | LOOSE PIECE | 323169 |
| | QUANTITY | PACKAGE TYPE | PART NO |

| | | | | | | | |
|--|--|--|----------------------------|--|--------------------------|----------------------|-----------|
| AMP INCORPORATED CUSTOMER SERVICE SYSTEMS | | THIS DRAWING IS A CONTROLLED DOCUMENT. | | DWN TA BRINKMAN 4-19-93 | | TE Connectivity Ltd. | |
| FOR ADDITIONAL PRODUCT INFORMATION OR COPIES OF DRAWINGS AND TECHNICAL DOCUMENTS | PRODUCT INFORMATION CENTER 1-800-522-6752 | MAX RECOMMENDED OPERATING TEMPERATURE: 343°C [649°F] MAX | DIMENSIONS: mm [INCHES] | TOLERANCES UNLESS OTHERWISE SPECIFIED: | CHK DA PATTERSON 4-19-93 | NAME | |
| FOR APPLICATION TOOLING INFORMATION | TOOLING ASSISTANCE CENTER 1-800-722-1111 | VOLTAGE RATING: NOT APPLICABLE | | 0 PLC ± - | APVD JL MECKLEY 4-19-93 | PRODUCT SPEC | |
| FOR ORDER ENTRY | 1-800-526-5142 | WIRE CROSS SECTIONAL AREA RANGE, 10.5-16.8mm ² [20,800-33,100] CIR MILS SOLID OR STRANDED | | 1 PLC ± - | 108-32046 | APPLICATION SPEC | |
| | | | | 2 PLC ± - | 114-2162 | SIZE | CAGE CODE |
| | | | | 3 PLC ± 0.127[.005] | CUSTOMER DRAWING | A2 | 00779 |
| | | | | 4 PLC ± - | | SCALE | 4:1 |
| | | | | ANGLES ± - | | SHEET | 1 of 1 |
| | | | | | | REV | B1 |

X-ON Electronics

Largest Supplier of Electrical and Electronic Components

Click to view similar products for [Terminals](#) category:

Click to view products by [TE Connectivity](#) manufacturer:

Other Similar products are found below :

[00-054007-01074-6](#) [00-054007-70206-1](#) [00-054007-70210-8](#) [00-054007-70217-7](#) [00-054007-70226-9](#) [00-054007-70228-3](#) [00-054007-70248-1](#) [00-054007-70256-6](#) [00-054007-70301-3](#) [00-054007-70316-7](#) [0-0320562-0](#) [00-054007-49560-4](#) [00-054007-70209-2](#) [00-054007-70225-2](#) [00-054007-70227-6](#) [00-054007-70231-3](#) [00-054007-70241-2](#) [00-054007-70242-9](#) [00-054007-70244-3](#) [00-054007-70246-7](#) [00-054007-70263-4](#) [00-054007-70288-7](#) [00-054007-70290-0](#) [00-054007-70300-6](#) [00-054007-70304-4](#) [01-2065-1-0216](#) [01-2900-1-04412](#) [00581P0075](#) [600TS-10](#) [60205-1](#) [604200-1](#) [605601-1](#) [60598-1-CUT-TAPE](#) [61314-6-C](#) [61810-3](#) [61-S](#) [61-SN](#) [626-0194](#) [62-NBM-A](#) [62-SN](#) [62-SP](#) [63-S](#) [640179-1](#) [M55155/059I03](#) [M55155/079C01](#) [M55155/099H02](#) [M55155/109H01](#) [M55155/109H02](#) [M55155/12XH05](#) [M55155/16XH02](#)