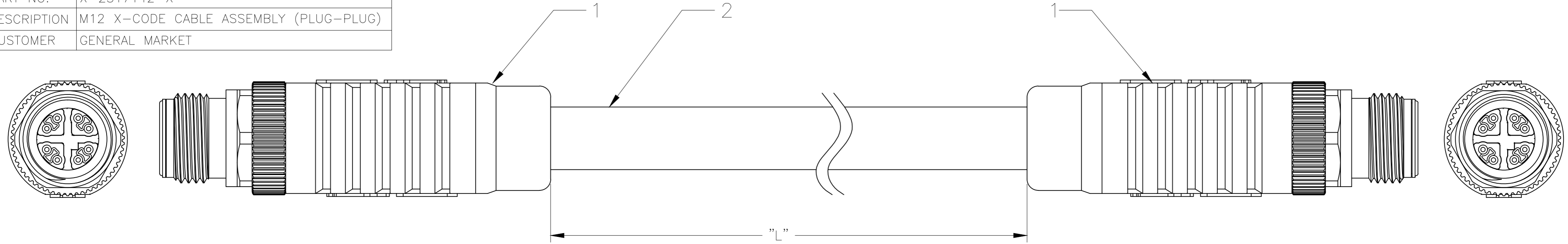


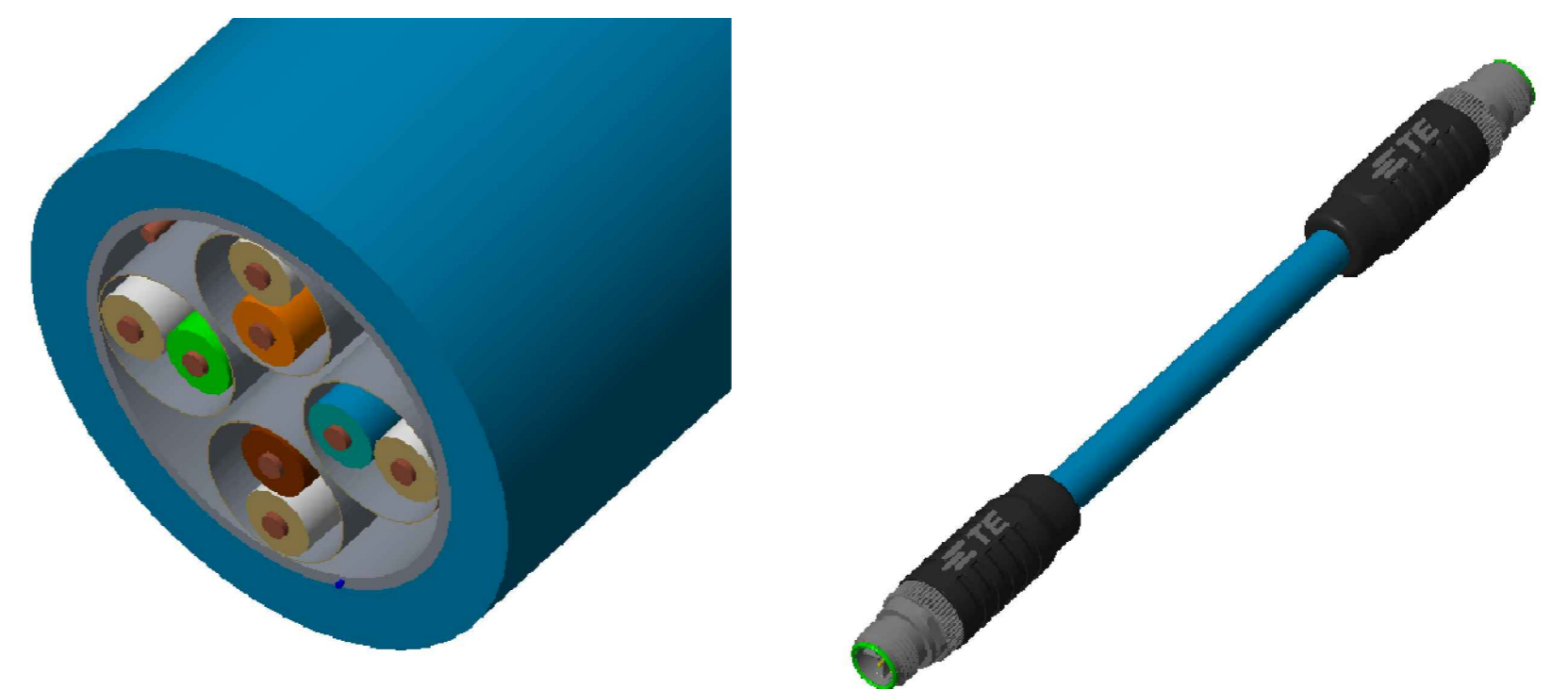
THIS DRAWING IS UNPUBLISHED.		RELEASED FOR PUBLICATION	
© COPYRIGHT - By -		ALL RIGHTS RESERVED.	
PROJECT	PRJ-14-000004825		
PART NO.	X-2317142-X		
DESCRIPTION	M12 X-CODE CABLE ASSEMBLY (PLUG-PLUG)		
CUSTOMER	GENERAL MARKET		

REVISIONS				
P	LTR	DESCRIPTION	DATE	APVD
A1		REVISED PER ECR-16-014891	06APR2017	KK SE



M12 X-CODE CABLE ASSEMBLY

SL.NO	CODE	ASSY. PART NO.	M12 CONNECTOR PART NO.	DESCRIPTION	CABLE TYPE	CABLE PART NO.	CABLE LENGTH "L" IN m
1	X-CODE	1-2317142-1		M12 X-CODE CABLE ASSEMBLY (PLUG-PLUG) 1M CABLE			1.0
2	X-CODE	1-2317142-2		M12 X-CODE CABLE ASSEMBLY (PLUG-PLUG) 1.5M CABLE			1.5
3	X-CODE	1-2317142-3		M12 X-CODE CABLE ASSEMBLY (PLUG-PLUG) 2M CABLE			2.0
4	X-CODE	1-2317142-4		M12 X-CODE CABLE ASSEMBLY (PLUG-PLUG) 2.5M CABLE			2.5
5	X-CODE	1-2317142-5		M12 X-CODE CABLE ASSEMBLY (PLUG-PLUG) 3M CABLE			3.0
6	X-CODE	1-2317142-6		M12 X-CODE CABLE ASSEMBLY (PLUG-PLUG) 3.5M CABLE			3.5
7	X-CODE	1-2317142-7		M12 X-CODE CABLE ASSEMBLY (PLUG-PLUG) 4M CABLE			4.0
8	X-CODE	1-2317142-8		M12 X-CODE CABLE ASSEMBLY (PLUG-PLUG) 4.5M CABLE			4.5
9	X-CODE	1-2317142-9		M12 X-CODE CABLE ASSEMBLY (PLUG-PLUG) 5M CABLE			5.0
10	X-CODE	2-2317142-0		M12 X-CODE CABLE ASSEMBLY (PLUG-PLUG) 5.5M CABLE			5.5
11	X-CODE	2-2317142-1		M12 X-CODE CABLE ASSEMBLY (PLUG-PLUG) 6M CABLE			6.0
12	X-CODE	2-2317142-2		M12 X-CODE CABLE ASSEMBLY (PLUG-PLUG) 6.5M CABLE			6.5
13	X-CODE	2-2317142-3		M12 X-CODE CABLE ASSEMBLY (PLUG-PLUG) 7M CABLE			7.0
14	X-CODE	2-2317142-4		M12 X-CODE CABLE ASSEMBLY (PLUG-PLUG) 7.5M CABLE			7.5
15	X-CODE	2-2317142-5		M12 X-CODE CABLE ASSEMBLY (PLUG-PLUG) 8M CABLE			8.0
16	X-CODE	2-2317142-6		M12 X-CODE CABLE ASSEMBLY (PLUG-PLUG) 8.5M CABLE			8.5
17	X-CODE	2-2317142-7		M12 X-CODE CABLE ASSEMBLY (PLUG-PLUG) 9M CABLE			9.0
18	X-CODE	2-2317142-8		M12 X-CODE CABLE ASSEMBLY (PLUG-PLUG) 9.5M CABLE			9.5
19	X-CODE	2-2317142-9		M12 X-CODE CABLE ASSEMBLY (PLUG-PLUG) 10M CABLE			10.0
20	X-CODE	3-2317142-0	1-2315714-2	M12 X-CODE CABLE ASSEMBLY (PLUG-PLUG) 10.5M CABLE	TE CAT 7 CABLE	2297799-1	10.5
21	X-CODE	3-2317142-1		M12 X-CODE CABLE ASSEMBLY (PLUG-PLUG) 11M CABLE			11.0
22	X-CODE	3-2317142-2		M12 X-CODE CABLE ASSEMBLY (PLUG-PLUG) 11.5M CABLE			11.5
23	X-CODE	3-2317142-3		M12 X-CODE CABLE ASSEMBLY (PLUG-PLUG) 12M CABLE			12.0
24	X-CODE	3-2317142-4		M12 X-CODE CABLE ASSEMBLY (PLUG-PLUG) 12.5M CABLE			12.5
25	X-CODE	3-2317142-5		M12 X-CODE CABLE ASSEMBLY (PLUG-PLUG) 13M CABLE			13.0
26	X-CODE	3-2317142-6		M12 X-CODE CABLE ASSEMBLY (PLUG-PLUG) 13.5M CABLE			13.5
27	X-CODE	3-2317142-7		M12 X-CODE CABLE ASSEMBLY (PLUG-PLUG) 14M CABLE			14.0
28	X-CODE	3-2317142-8		M12 X-CODE CABLE ASSEMBLY (PLUG-PLUG) 14.5M CABLE			14.5
29	X-CODE	3-2317142-9		M12 X-CODE CABLE ASSEMBLY (PLUG-PLUG) 15M CABLE			15.0
30	X-CODE	4-2317142-0		M12 X-CODE CABLE ASSEMBLY (PLUG-PLUG) 15.5M CABLE			15.5
31	X-CODE	4-2317142-1		M12 X-CODE CABLE ASSEMBLY (PLUG-PLUG) 16M CABLE			16.0
32	X-CODE	4-2317142-2		M12 X-CODE CABLE ASSEMBLY (PLUG-PLUG) 16.5M CABLE			16.5
33	X-CODE	4-2317142-3		M12 X-CODE CABLE ASSEMBLY (PLUG-PLUG) 17M CABLE			17.0
34	X-CODE	4-2317142-4		M12 X-CODE CABLE ASSEMBLY (PLUG-PLUG) 17.5M CABLE			17.5
35	X-CODE	4-2317142-5		M12 X-CODE CABLE ASSEMBLY (PLUG-PLUG) 18M CABLE			18.0
36	X-CODE	4-2317142-6		M12 X-CODE CABLE ASSEMBLY (PLUG-PLUG) 18.5M CABLE			18.5
37	X-CODE	4-2317142-7		M12 X-CODE CABLE ASSEMBLY (PLUG-PLUG) 19M CABLE			19.0
38	X-CODE	4-2317142-8		M12 X-CODE CABLE ASSEMBLY (PLUG-PLUG) 19.5M CABLE			19.5
39	X-CODE	4-2317142-9		M12 X-CODE CABLE ASSEMBLY (PLUG-PLUG) 20M CABLE			20.0



SECTIONAL ISO VIEW OF THE CABLE

ISO VIEW

SL.NO.	PART NO.	DESCRIPTION	QTY
1	1-2315714-2	M12 X-CODED M-8 MALE CONNECTOR	2
2	2297799-1	TE CAT 7 CABLE (COLOR: BLUE)	METER (REF. TABLE)

THIS DRAWING IS A CONTROLLED DOCUMENT.		DWN	KIRAN K	28FEB2017		TE Connectivity			
DIMENSIONS: mm		CHK	KIRAN K	28FEB2017		NAME			
TOLERANCES UNLESS OTHERWISE SPECIFIED:		APVD	S EGBERT	28FEB2017		M12 X-CODE CABLE ASSEMBLY (PLUG-PLUG)			
		PRODUCT SPEC		SIZE					
MATERIAL		FINISH		APPLICATION SPEC		DRAWING NO		RESTRICTED TO	
-		-		-		A2 00779		C=2317142	
CUSTOMER DRAWING				SCALE		SHEET		REV	
				NTS		1 of 1		A1	

X-ON Electronics

Largest Supplier of Electrical and Electronic Components

Click to view similar products for [Ethernet Cables / Networking Cables](#) category:

Click to view products by [TE Connectivity](#) manufacturer:

Other Similar products are found below :

[73-6670-7](#) [73-6680-15](#) [73-7797-25](#) [MCJB2-10P6Q7-120](#) [84909-0204](#) [1200700174](#) [1200860368](#) [E16A06002M030](#) [E200102-009-S1](#)
[AX105346-EW](#) [MT14-187L](#) [17-103530](#) [ERWPAB3002M005](#) [190-038045-01](#) [NK5EPC18RDY](#) [NK5EPC18VLY](#) [NK5EPC18YLY](#)
[NK5EPC1GRY](#) [NK5EPC4Y](#) [NK5EPC6YLY](#) [NK5EPC8BLY](#) [NK5EPC9YLY](#) [1969343-6](#) [C501100010](#) [C501106002](#) [C501106007](#)
[C501106015](#) [C501106025](#) [C601102010](#) [C601104010](#) [C601106007](#) [C601106015](#) [2142758-2](#) [2168427-2](#) [CAT1106007](#) [21949-1](#) [2J1866A](#)
[RJF SFTP 5E 0500](#) [AX100351](#) [MN14CEC/ST](#) [C501100015](#) [C501106004](#) [C501106010](#) [C5F1108007](#) [C601104004](#) [C601106004](#)
[CA21106004](#) [CA21106010](#) [CA21106015](#) [CA21109007](#)