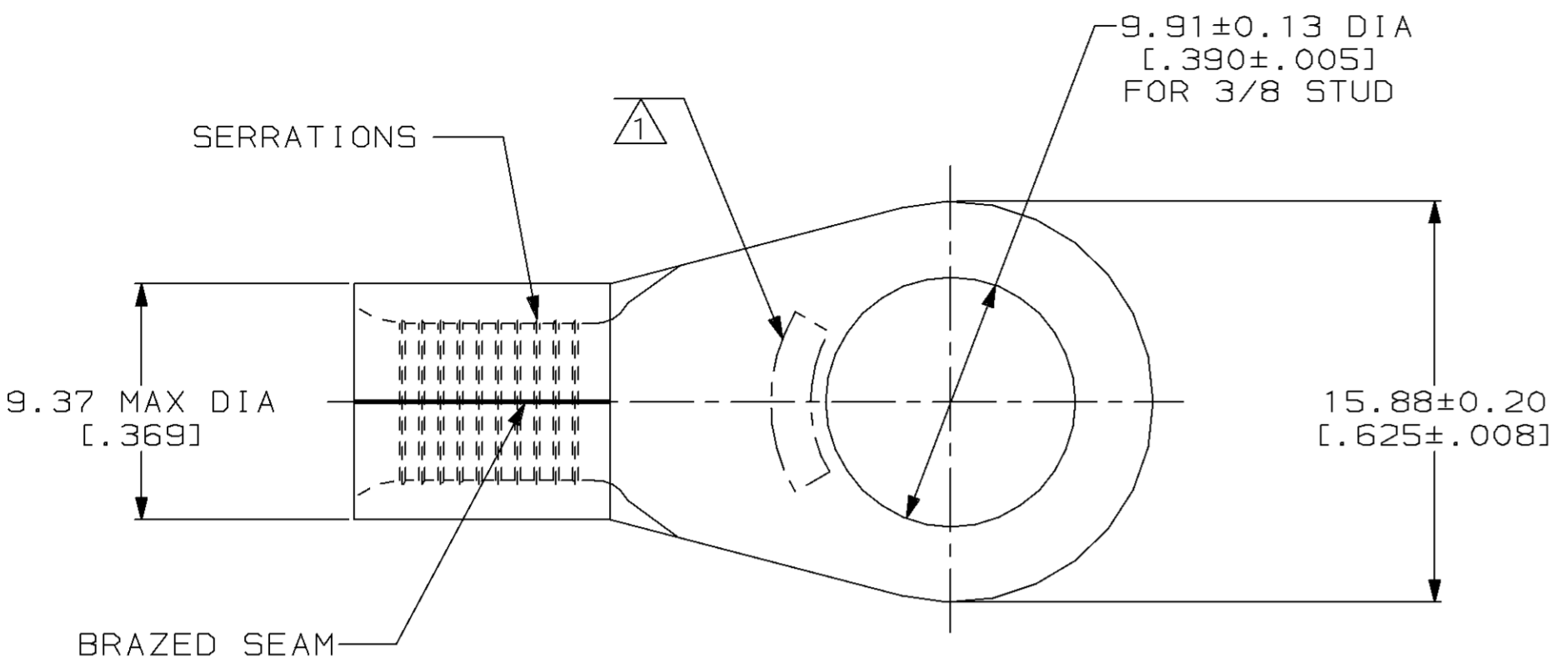


THIS DRAWING IS UNPUBLISHED. RELEASED FOR PUBLICATION ,19 .
 © COPYRIGHT 19 BY AMP INCORPORATED. ALL INTERNATIONAL RIGHTS RESERVED.

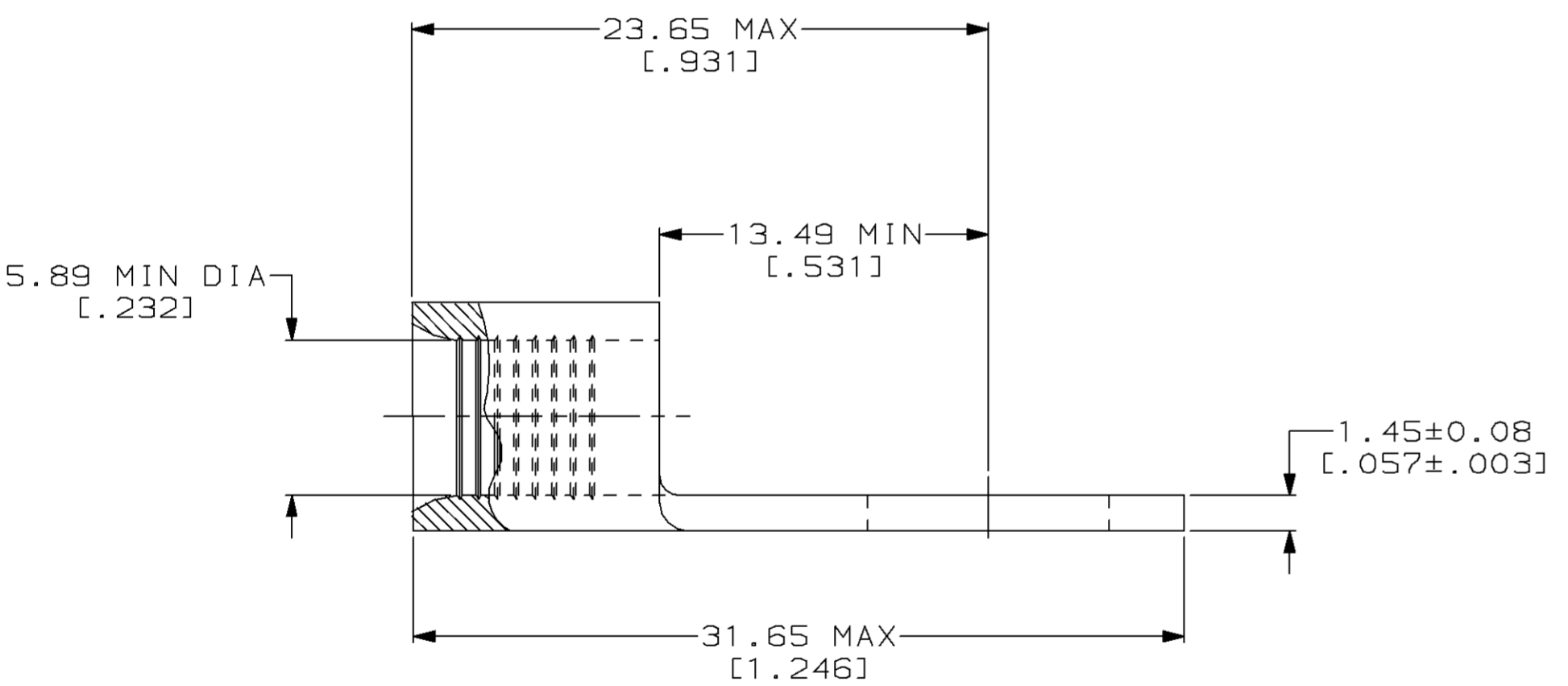
| LOC | | DIST | | P | | F | | REVISIONS | | DATE | APPD |
|-----|----|------|--|---|--|------|-----|--------------------------------|---------|------|------|
| G | 14 | | | | | ZONE | LTR | DESCRIPTION | 4-19-93 | APPD | |
| | | | | | | | G | REV & REDRAWN PER 0720-0061-93 | | APPD | |

METRIC
 DIMENSIONS LISTED IN mm [INCHES]



| | |
|-------------------------------|---------------------------|
| AMP WIRE RANGE | UL Listed |
| 6 AWG SOLID OR STRANDED | NOT APPLICABLE |
| SR LR7189 Certified | MILITARY P/N AND CLASS |
| NOT APPLICABLE | NOT APPLICABLE |

△ STAMP AMP 6* APPROX AS SHOWN



| | | | | | |
|---|--|--|--|-----------------------------|--|
| AMP INCORPORATED CUSTOMER SERVICE SYSTEMS | | MAX RECOMMENDED OPERATING TEMPERATURE: 343°C MAX | DO NOT SCALE PRINT. UNLESS SPECIFIED DIMENSIONS IN mm [INCHES] TOLERANCES ON: 2 PLC DEC ± - 3 PLC DEC ± - ANGLES ± - | DR 4-19-93 TA BRINKMAN | AMP AMP Incorporated Harrisburg, PA 17105-3608 |
| FOR ADDITIONAL PRODUCT INFORMATION OR COPIES OF DRAWINGS AND TECHNICAL DOCUMENTS | PRODUCT INFORMATION CENTER 1-800-522-6752 | VOLTAGE RATING: NOT APPLICABLE | MATERIAL COPPER PER ASTM B-152 ANNEALED | CHK 4-19-93 DA PATTERSON | |
| FOR APPLICATION TOOLING INFORMATION | TOOLING ASSISTANCE CENTER 1-800-722-1111 | WIRE CROSS SECTIONAL AREA RANGE: 10.5-16.8MM ² [20,800-33,100] CIR MILS SOLID OR STRANDED | FINISH NICKEL PLATE 0.00762[.000300] MIN THK PER QQ-N-290 | APPD 4-19-93 DE MILLER | NAME TERMINAL, RING TONGUE, HEAT RESISTANT, STRATO-THERM™ |
| FOR ORDER ENTRY | 1-800-526-5142 | THIS DRAWING IS A CONTROLLED DOCUMENT FOR AMP INCORPORATED. IT IS SUBJECT TO CHANGE AND THE CONTROLLING ENGINEERING ORGANIZATION SHOULD BE CONTACTED FOR THE LATEST REVISION. | | APPD 4-19-93 JL MECKLEY | SIZE CAGE CODE DRAWING NO |
| | | | | PRODUCT SPEC - | SCALE 4:1 |
| | | | | APPLICATION SPEC - | WEIGHT - |
| | | | | | SHEET 1 OF 1 |

X-ON Electronics

Largest Supplier of Electrical and Electronic Components

Click to view similar products for [Terminals](#) category:

Click to view products by [TE Connectivity](#) manufacturer:

Other Similar products are found below :

[00-054007-01074-6](#) [00-054007-70206-1](#) [00-054007-70210-8](#) [00-054007-70217-7](#) [00-054007-70226-9](#) [00-054007-70228-3](#) [00-054007-70248-1](#) [00-054007-70256-6](#) [00-054007-70301-3](#) [00-054007-70316-7](#) [0-0320562-0](#) [00-054007-49560-4](#) [00-054007-70209-2](#) [00-054007-70225-2](#) [00-054007-70227-6](#) [00-054007-70231-3](#) [00-054007-70241-2](#) [00-054007-70242-9](#) [00-054007-70244-3](#) [00-054007-70246-7](#) [00-054007-70263-4](#) [00-054007-70288-7](#) [00-054007-70290-0](#) [00-054007-70300-6](#) [00-054007-70304-4](#) [01-2065-1-0216](#) [01-2900-1-04412](#) [00581P0075](#) [600TS-10](#) [60205-1](#) [604200-1](#) [605601-1](#) [60598-1-CUT-TAPE](#) [61314-6-C](#) [61810-3](#) [61-S](#) [61-SN](#) [626-0194](#) [62-NBM-A](#) [62-SN](#) [62-SP](#) [63-S](#) [640179-1](#) [M55155/059I03](#) [M55155/079C01](#) [M55155/099H02](#) [M55155/109H01](#) [M55155/109H02](#) [M55155/12XH05](#) [M55155/16XH02](#)