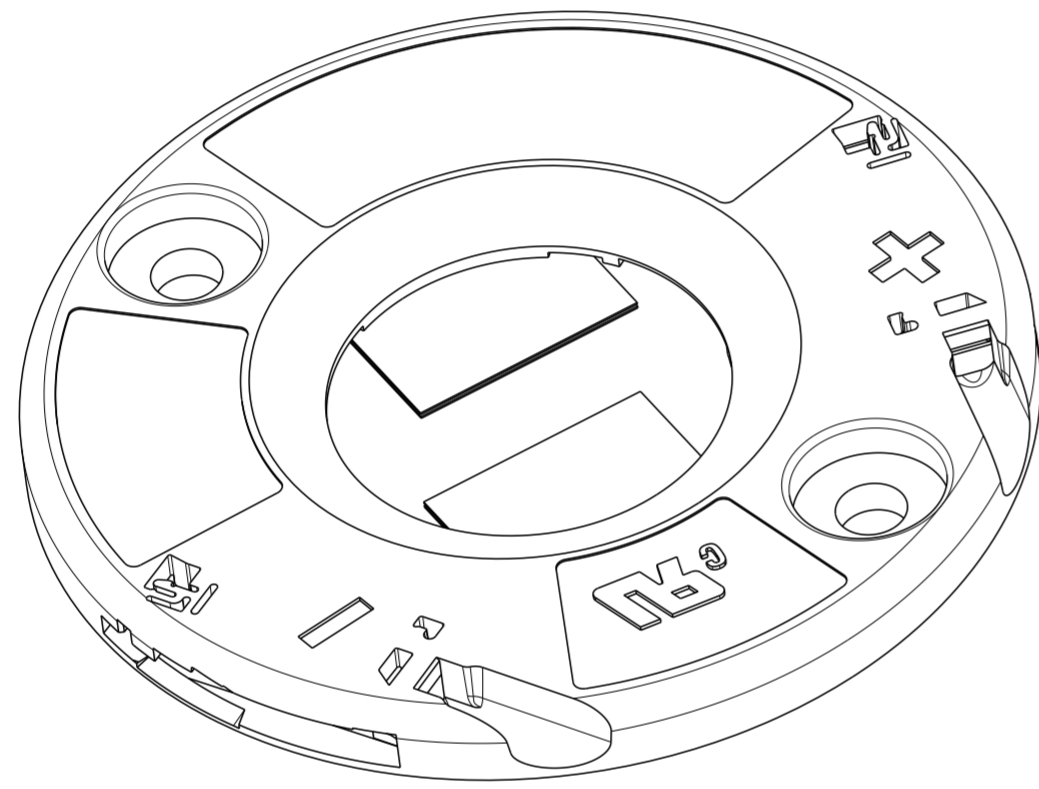


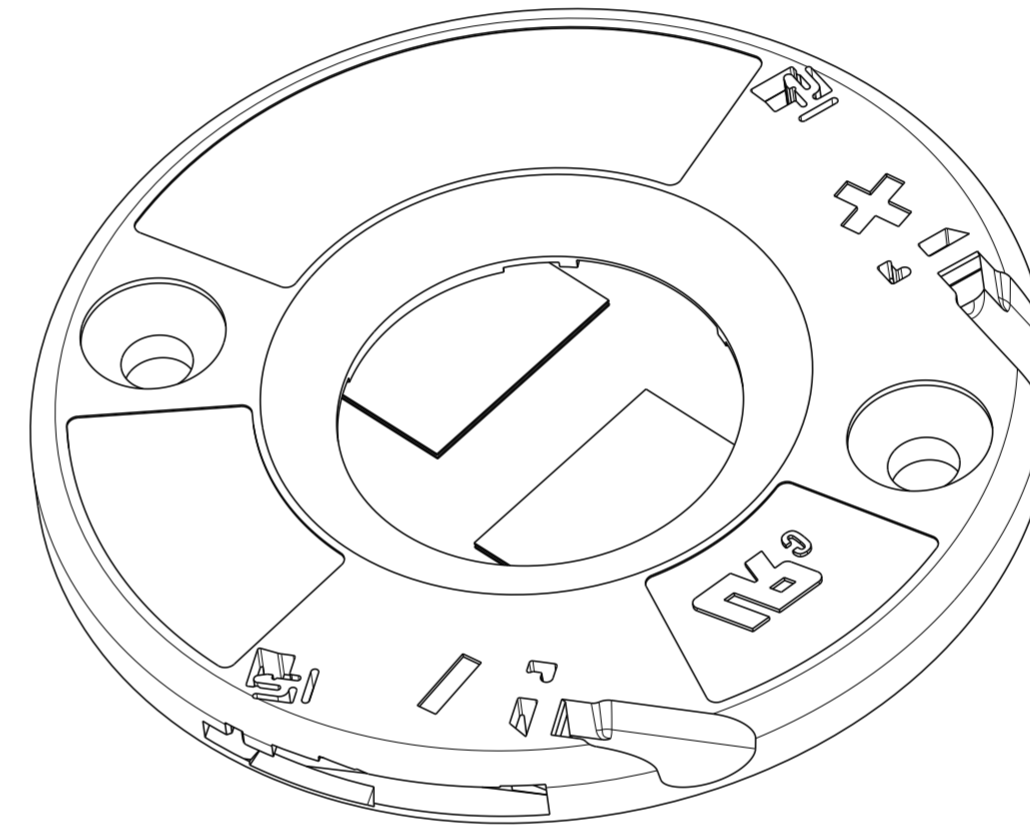
THIS DRAWING IS UNPUBLISHED. RELEASED FOR PUBLICATION 20
 © COPYRIGHT 20 BY - ALL RIGHTS RESERVED.

| REVISIONS | | | | |
|-----------|-----|---------------|-----------|-------|
| P | LTR | DESCRIPTION | DATE | APVD |
| B1 | | ECR-19-013004 | 26AUG2019 | SR JL |
| B2 | | ECR-20-000233 | 13JAN2020 | SB JL |
| B3 | | ECR-20-000836 | 23JAN2020 | SB JL |
| B4 | | ECR-20-002949 | 02MAR2020 | SR JL |

- 1 MATERIALS:
 HOLDER: PBT ,COLOR: NATURAL;
 CONTACTS: COPPER ALLOY, Au/Ni PLATING (LED INTERFACE)
2. FOR SOLID, FUSED AND STRANDED CONDUCTOR WIRE TYPES AWG 18 AND 20
3. WIRE STRIP LENGTH: 11-12mm
4. MAX. WIRE INSULATION OUTER DIA: $\varnothing 2,3\text{mm}$
5. RECOMMENDED SCREW TORQUE: SEE APPLICATION SPECIFICATION 114-133107.
6. SCREWS TO BE USED: M3, #4-40
7. LED MATING ON 2 CORNERS WITH ADHESIVE TAPE 3M 9472LE 300LSE.
- 8 LAYOUTS ON SHEET 3
9. FOR COB-TO-HOLDER CROSS REFERENCE, REFER TO APPLICATION SPECIFICATION 114-32208



PAN HEAD
 SCALE 3:1



COUNTERSINK
 SCALE 3:1

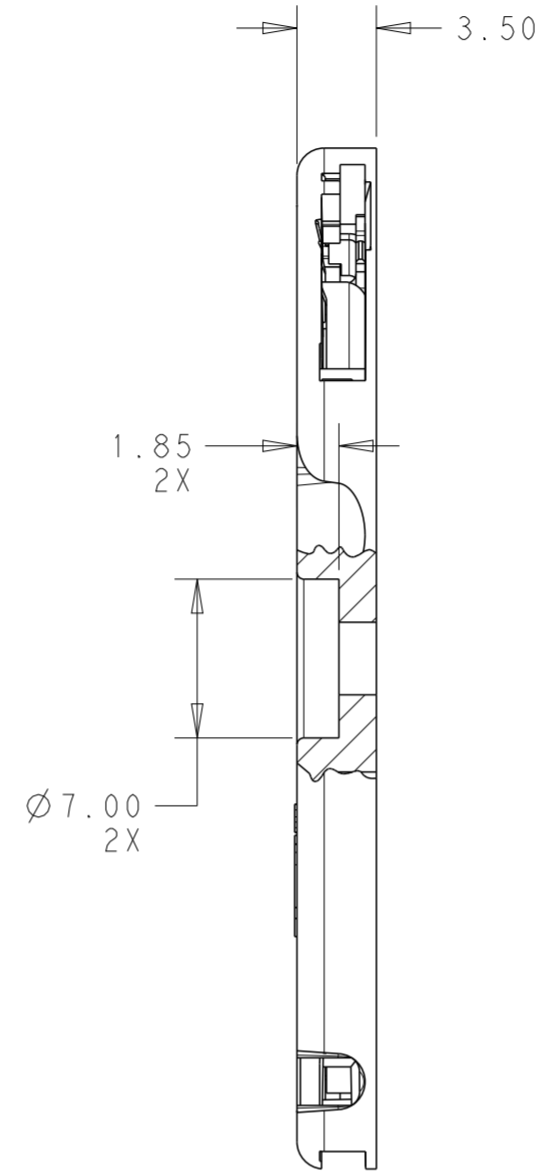
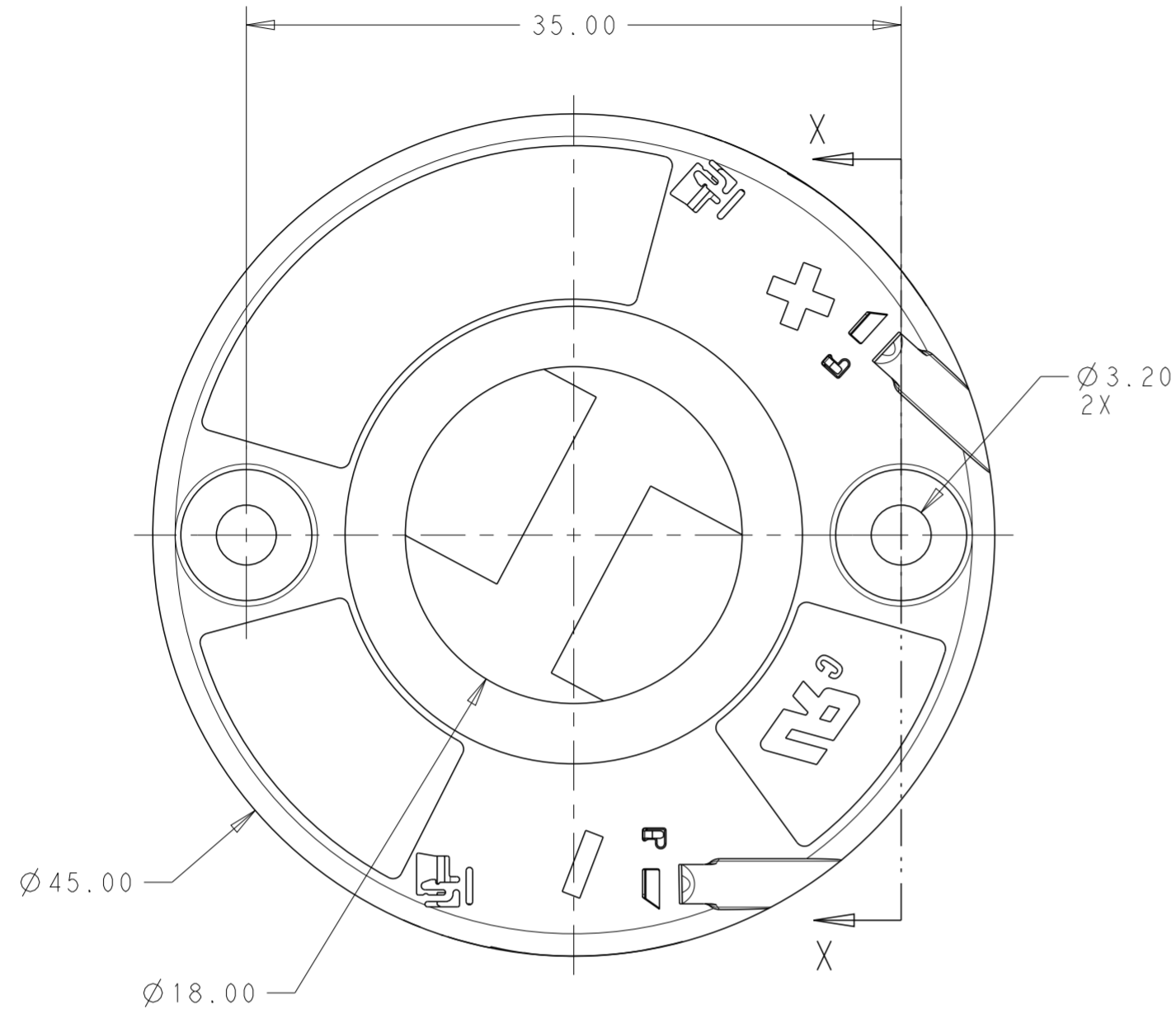
| | | |
|--------------|-------------|----------------------|
| A | PAN HEAD | 4-2325811-2 |
| C | COUNTERSINK | 3-2325811-1 |
| C | PAN HEAD | 2-2325811-1 |
| B | COUNTERSINK | 1-2325811-3 |
| B | PAN HEAD | 2325811-3 |
| A | COUNTERSINK | 1-2325811-2 |
| A | PAN HEAD | 2325811-2 |
| LED LAYOUT 8 | | DESCRIPTION PART NO. |

| THIS DRAWING IS A CONTROLLED DOCUMENT. | | DWN | 20DEC2017 | |
|--|--|---|-------------------------------|--|
| DIMENSIONS: | | CHK | 20DEC2017 | |
| mm | | APVD | - | |
| TOLERANCES UNLESS OTHERWISE SPECIFIED: | | PRODUCT SPEC | 108-133062 | |
| 0 PLC ± | | APPLICATION SPEC | 114-133107 | |
| 1 PLC ±0.2 | | WEIGHT | - | |
| 2 PLC ±0.13 | | CUSTOMER DRAWING | SCALE 3:1 SHEET 1 OF 4 REV B4 | |
| 3 PLC ± | | NAME LED HOLDER, 20x24 LUMAWISE Z45 LED | | |
| 4 PLC ± | | SIZE CAGE CODE DRAWING NO RESTRICTED TO | | |
| ANGLES ±2° | | A200779 C-2325811 | | |
| FINISH | | - | | |



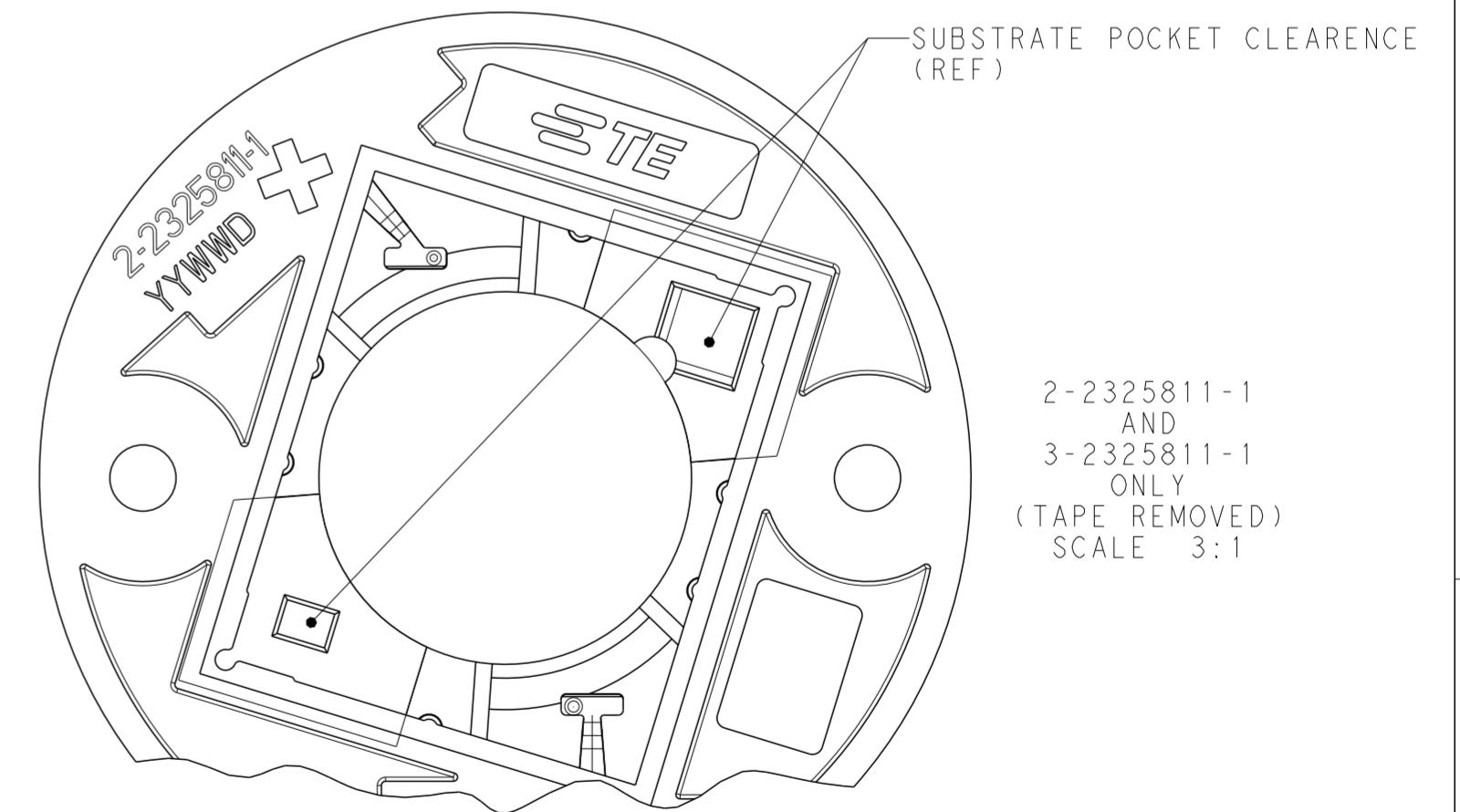
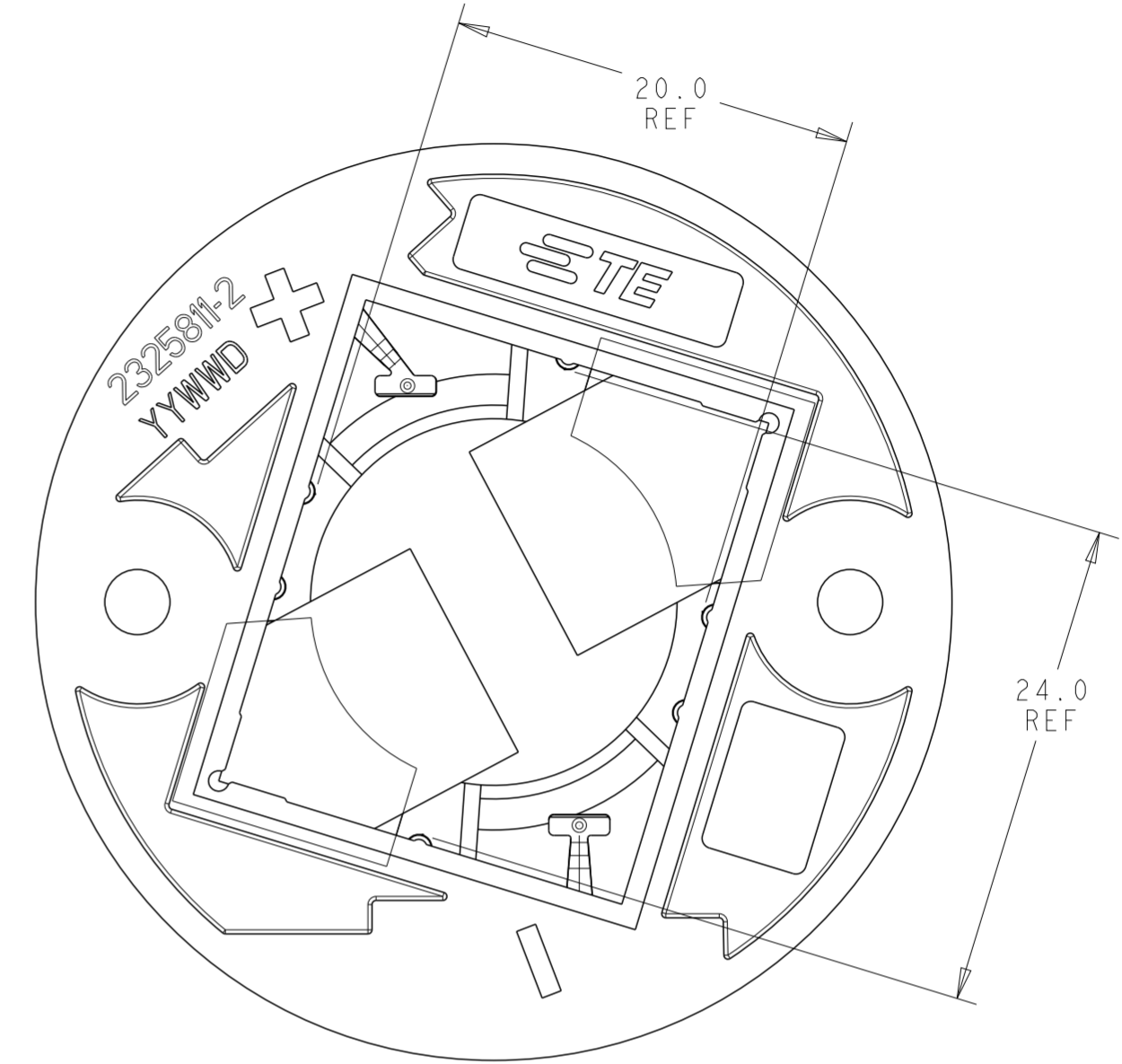
THIS DRAWING IS UNPUBLISHED. RELEASED FOR PUBLICATION 20
 © COPYRIGHT 20 BY - ALL RIGHTS RESERVED.

| REVISIONS | | | | |
|-----------|-----|-------------|------|------|
| P | LTR | DESCRIPTION | DATE | APVD |
| - | - | SEE SHEET 1 | - | - |
| | | | | |
| | | | | |

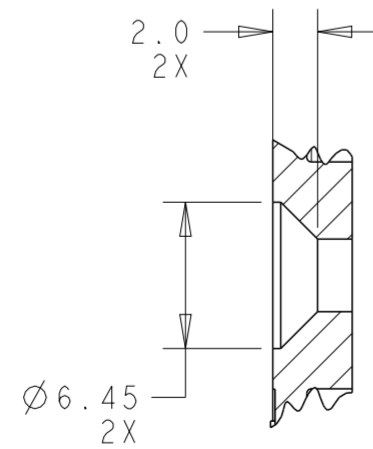


SECTION X - X

2325811-2 SHOWN
SCALE 3:1



2-2325811-1
AND
3-2325811-1
ONLY
(TAPE REMOVED)
SCALE 3:1

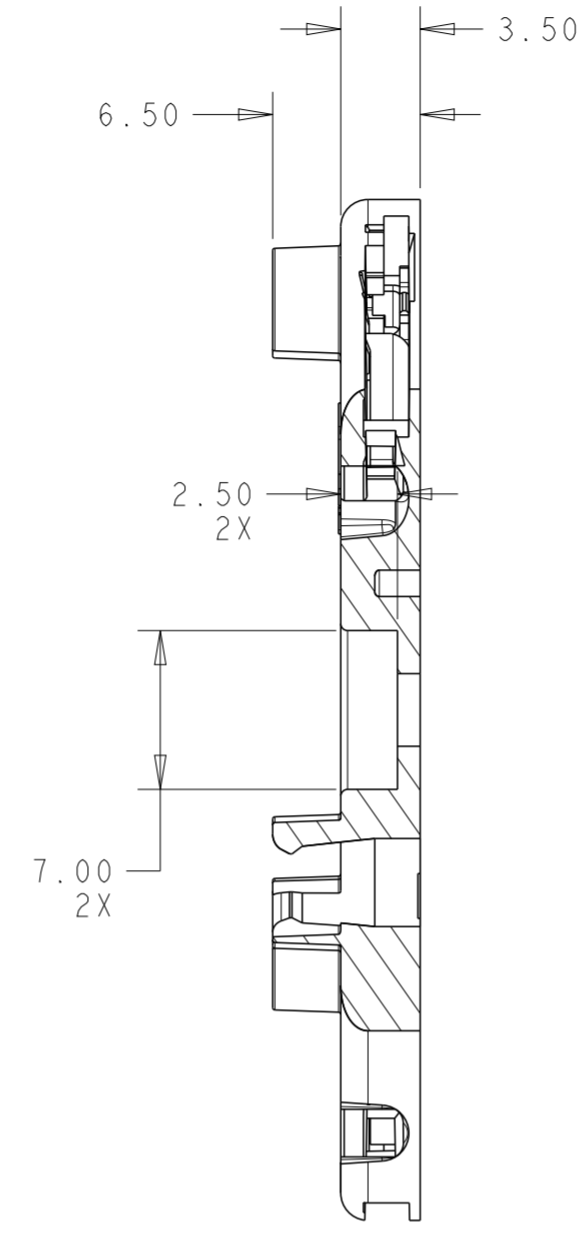
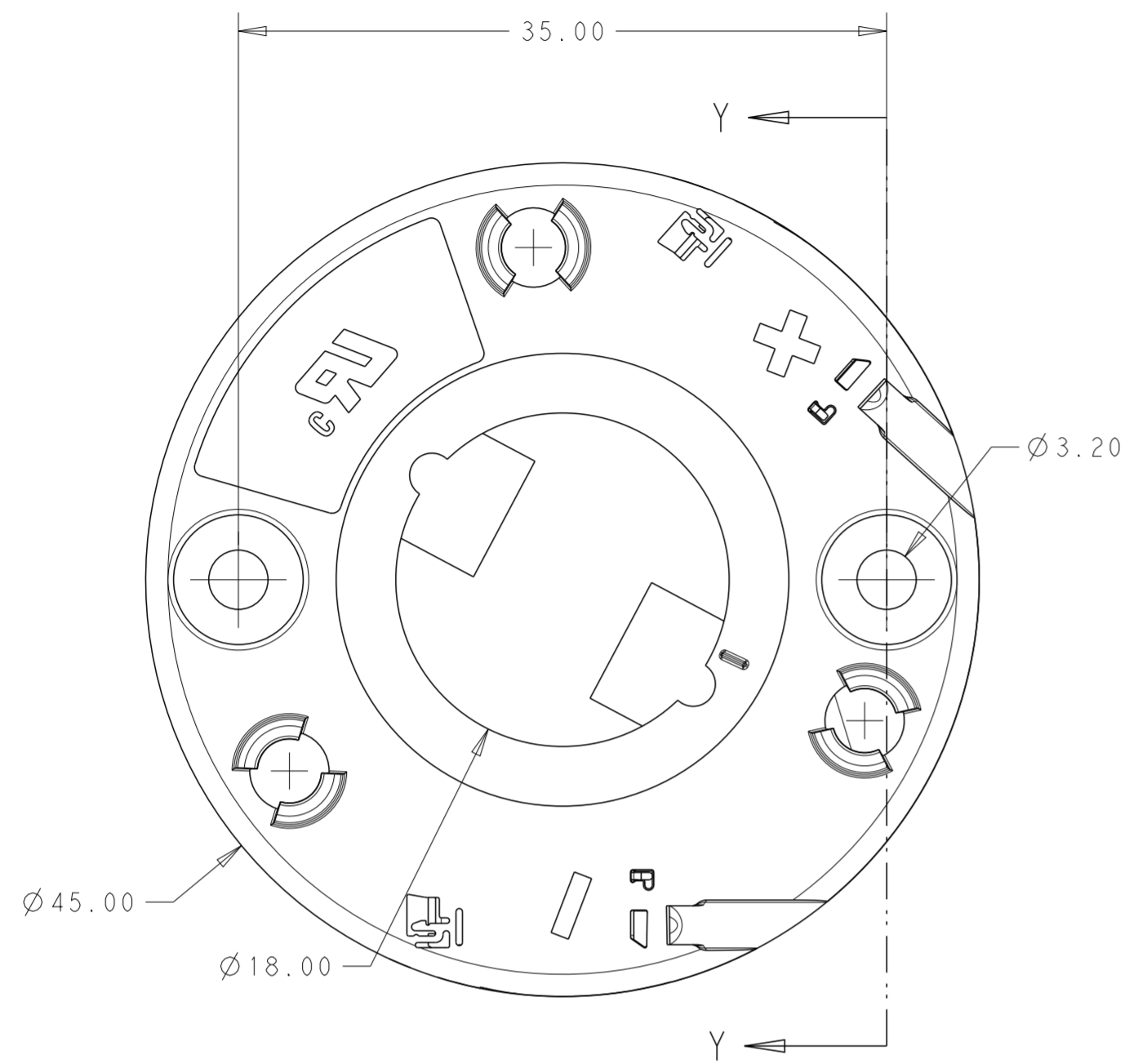


SECTION X - X
1-2325811-2 SHOWN
SCALE 3:1

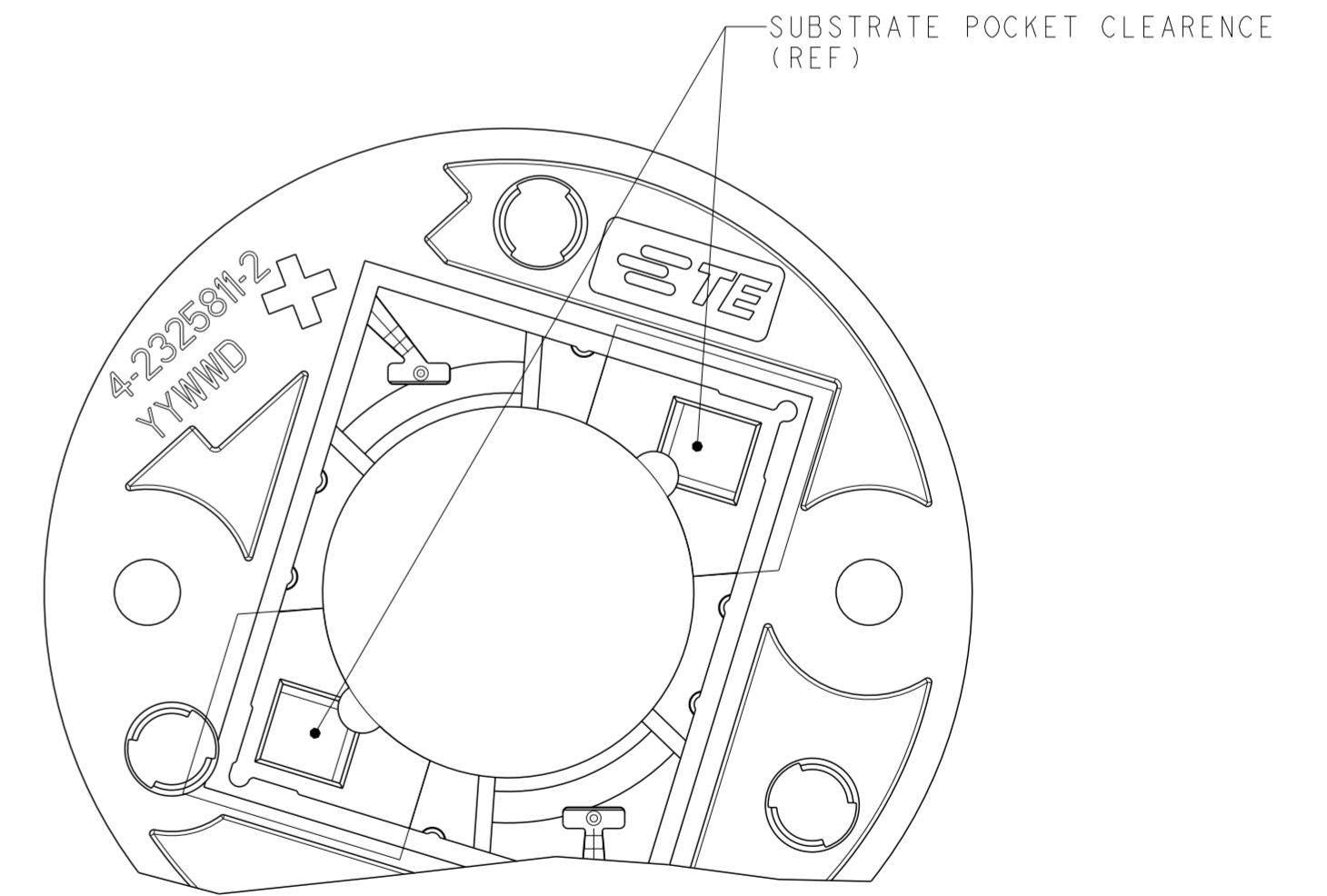
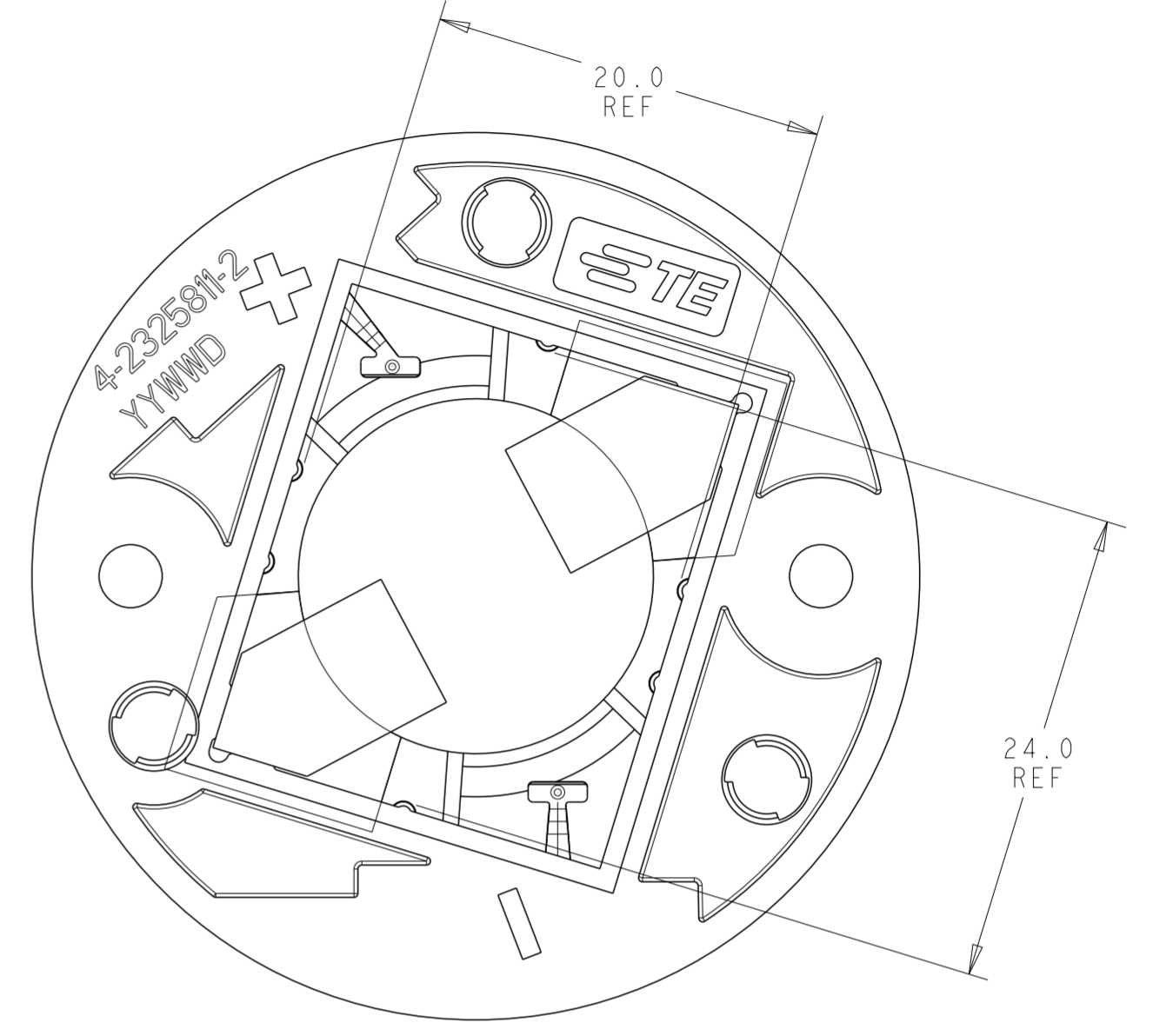
| | | | | |
|--|--|--------------------------------|---|--|
| THIS DRAWING IS A CONTROLLED DOCUMENT. | | DWN C. DAILY 20DEC2017 | TE Connectivity | |
| | | CHK J. LATORRE 20DEC2017 | | |
| DIMENSIONS: | | APVD - | NAME LED HOLDER, 20x24 LUMAWISE Z45 LED | |
| mm | | PRODUCT SPEC 108-133062 | SIZE - | |
| TOLERANCES UNLESS OTHERWISE SPECIFIED: | | APPLICATION SPEC 114-133107 | CAGE CODE A200779 | |
| 0 PLC ± | | WEIGHT - | DRAWING NO C-2325811 | |
| 1 PLC ±0.2 | | RESTRICTED TO - | | |
| 2 PLC ±0.13 | | SCALE 3:1 SHEET 2 OF 4 REV B4 | | |
| 3 PLC ± | | CUSTOMER DRAWING | | |
| 4 PLC ± | | | | |
| ANGLES ±2° | | | | |
| FINISH | | | | |

THIS DRAWING IS UNPUBLISHED. RELEASED FOR PUBLICATION 20
 © COPYRIGHT 20 BY - ALL RIGHTS RESERVED.

| REVISIONS | | | | | |
|-----------|-----|-------------|------|-----|------|
| P | LTR | DESCRIPTION | DATE | DWN | APVD |
| - | - | SEE SHEET 1 | - | - | - |
| | | | | | |
| | | | | | |



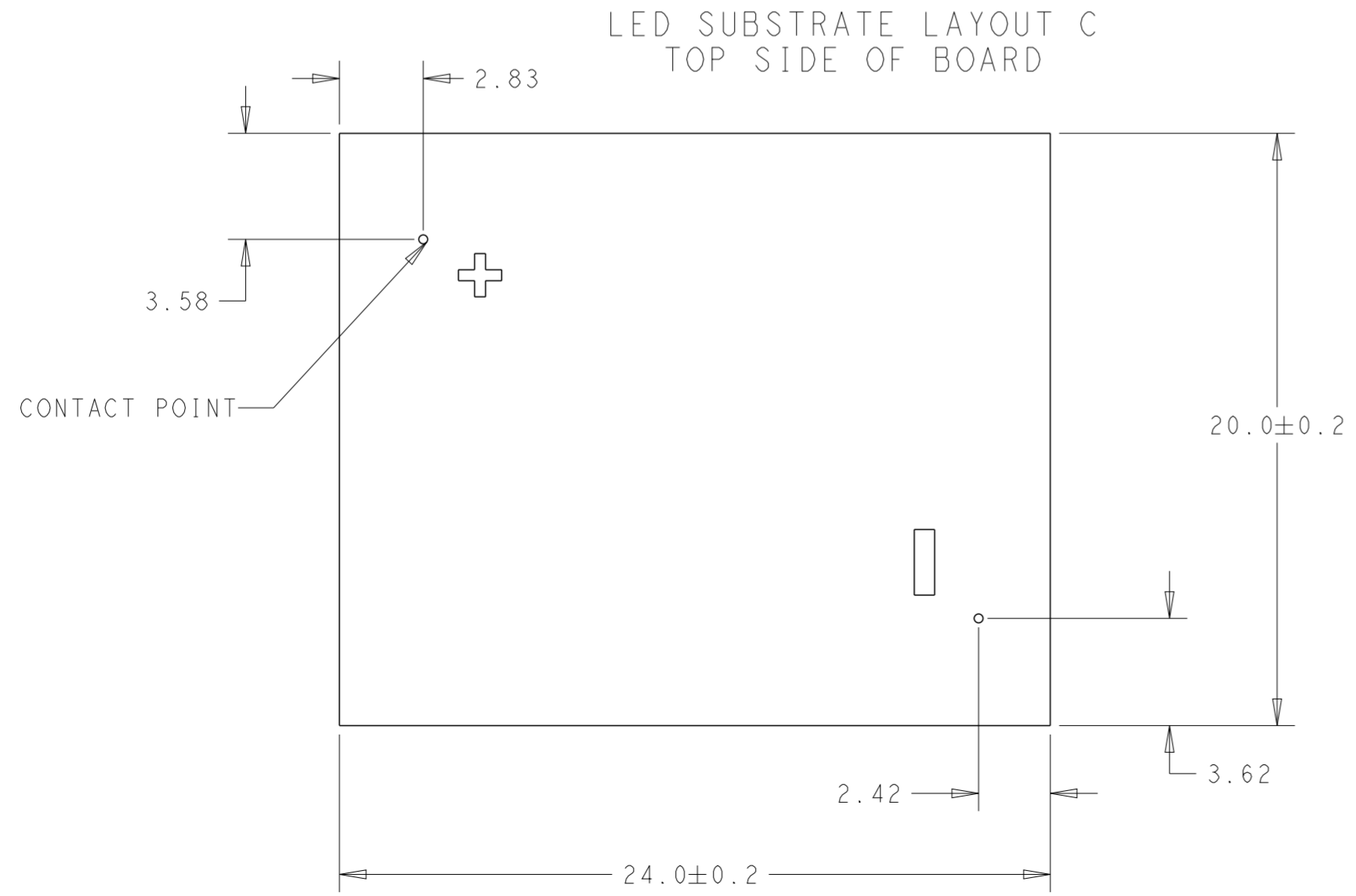
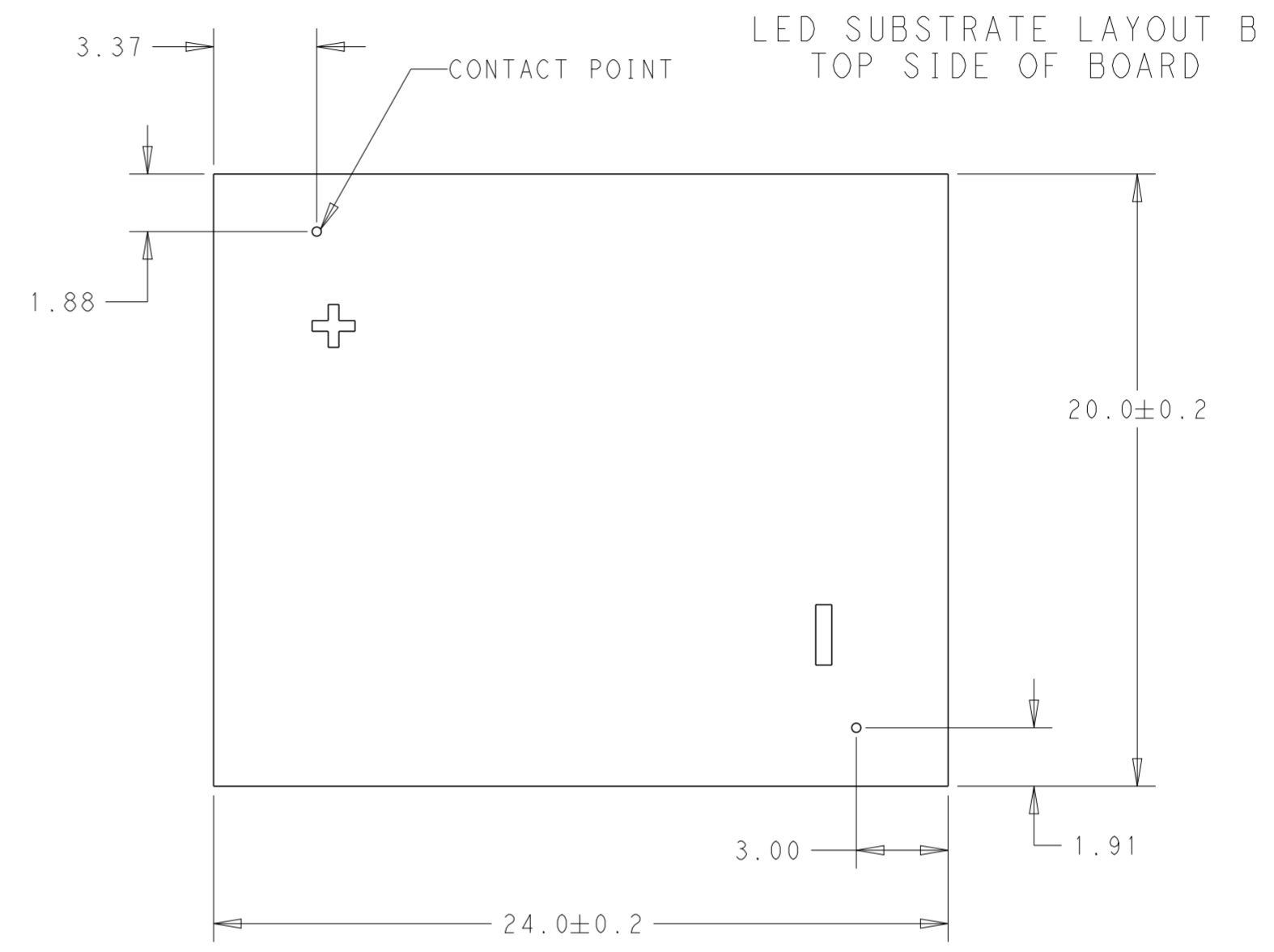
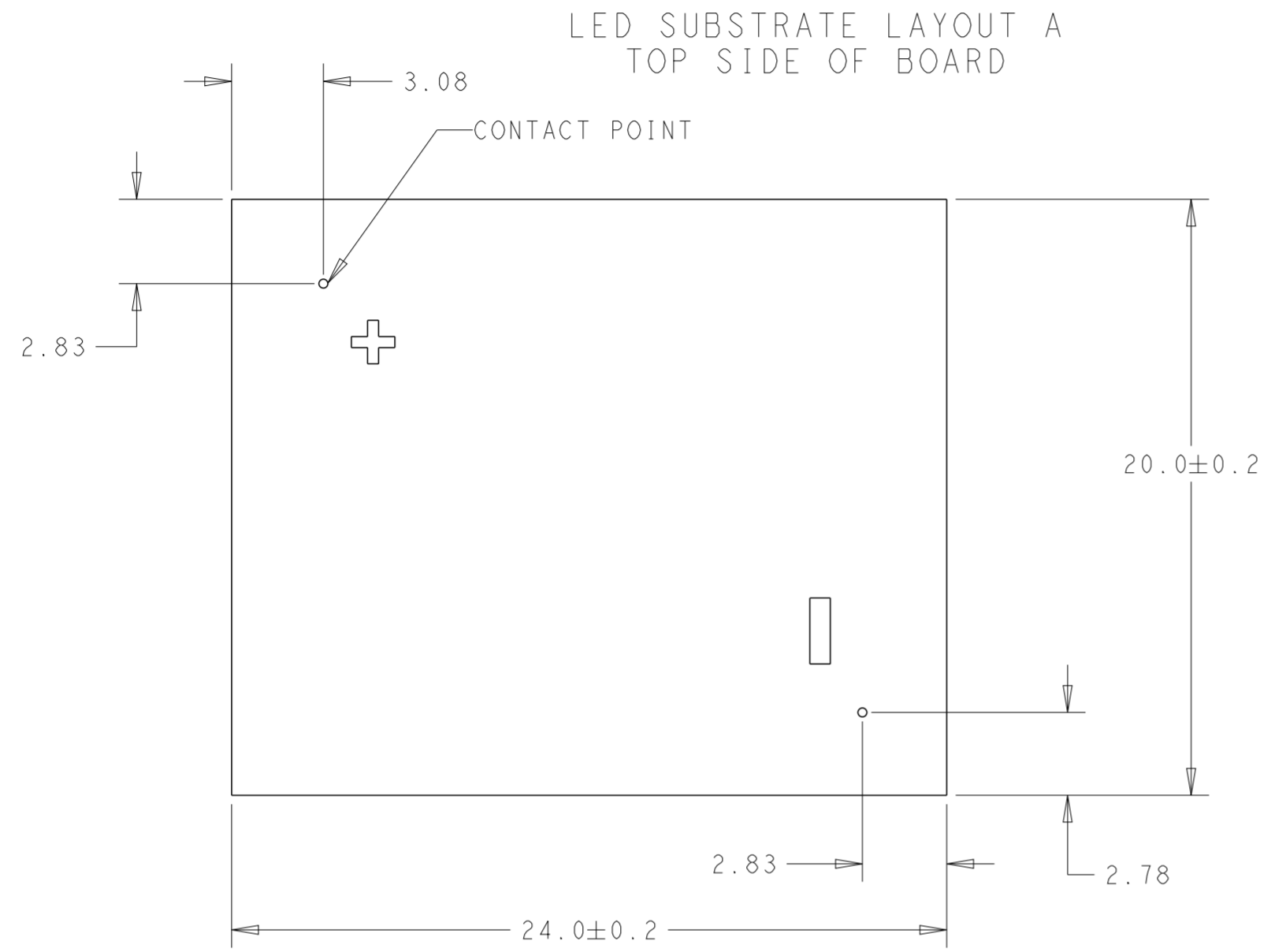
SECTION Y-Y
4-2325811-2 AS SHOWN



| | | | | |
|--|--|--------------------------------|---|-------------------------|
| THIS DRAWING IS A CONTROLLED DOCUMENT. | | DWN C. DAILY 20DEC2017 | STE TE Connectivity | |
| | | CHK J. LATORRE 20DEC2017 | | |
| DIMENSIONS: | | APVD - | NAME LED HOLDER, 20x24 LUMAWISE Z45 LED | |
| mm | TOLERANCES UNLESS OTHERWISE SPECIFIED: | PRODUCT SPEC 108-133062 | SIZE - | |
| | 0 PLC ± | APPLICATION SPEC 114-133107 | CAGE CODE A200779 | DRAWING NO C-2325811 |
| | 1 PLC ±0.2 | WEIGHT - | RESTRICTED TO - | |
| | 2 PLC ±0.13 | CUSTOMER DRAWING | SCALE 3:1 | SHEET 3 OF 4 |
| | 3 PLC ± | | | REV B4 |
| | 4 PLC ± | | | |
| | ANGLES ±2° | | | |
| MATERIAL | FINISH | | | |
| - | - | | | |
| - | - | | | |

THIS DRAWING IS UNPUBLISHED. RELEASED FOR PUBLICATION 20
 © COPYRIGHT 20 BY - ALL RIGHTS RESERVED.

| REVISIONS | | | | |
|-----------|-----|-------------|------|------|
| P | LTR | DESCRIPTION | DATE | APVD |
| - | - | SEE SHEET 1 | - | - |
| | | | | |
| | | | | |



| | | | | |
|--|--|--|---|-------------------------------|
| THIS DRAWING IS A CONTROLLED DOCUMENT. | | DWN C. DAILY 20DEC2017 | STE TE Connectivity | |
| | | CHK J. LATORRE 20DEC2017 | | |
| DIMENSIONS: mm | | TOLERANCES UNLESS OTHERWISE SPECIFIED: | | APVD - |
| | | 0 PLC ± | NAME LED HOLDER, 20x24 LUMAWISE Z45 LED | |
| | | 1 PLC ±0.2 | PRODUCT SPEC 108-133062 | |
| | | 2 PLC ±0.13 | APPLICATION SPEC 114-133107 | |
| | | 3 PLC ± | SIZE A200779 | |
| MATERIAL | | 4 PLC ± | ANGLE ± | DRAWING NO C-2325811 |
| | | FINISH | FINISH ±2° | RESTRICTED TO - |
| | | | | SCALE 3:1 SHEET 4 OF 4 REV B4 |
| | | | | CUSTOMER DRAWING |

X-ON Electronics

Largest Supplier of Electrical and Electronic Components

Click to view similar products for [LED Lighting Mounting Accessories](#) category:

Click to view products by [TE Connectivity](#) manufacturer:

Other Similar products are found below :

[C16142_HEKLA-SOCKET-K](#) [3SU1401-1BG20-1AA0](#) [3SU1900-0BC31-0NB0](#) [ES16-RT](#) [1SFA616921R2042](#) [1SFA616921R2131](#)
[1SFA616921R2133](#) [1SFA616921R2143](#) [1SFA611621R1093](#) [B8910020](#) [D3980022](#) [E3990022](#) [E3990040](#) [CABI12 E BK 1M SET PRM](#)
[FLAT8 H/U BK 1M SET PRM](#) [BEGTIN12 J/S BK 1M SET PRM](#) [1-2213678-6](#) [C16791_CLAMP-Z45-A](#) [F17250_SOLDER-CLIP-A](#) [CM22-](#)
[4-20MA](#) [CM22-R10K-MT](#) [CM22-R1K](#) [CM22-R50K](#) [CM22-R5K-MT](#) [CM22-SLR](#) [10465](#) [M22-A](#) [M22-CK11](#) [M22-CK20](#) [M22G-XGPV](#)
[M22-K01](#) [M22-LCH-W](#) [M22-LC-R](#) [M22-LED230-R](#) [M22-LED230-W](#) [M22-LEDC230-G](#) [M22-LEDC-G](#) [M22-LEDC-W](#) [M22-LED-G](#)
[M22-LED-W](#) [M22-L-G](#) [M22-LH-G](#) [M22-LH-R](#) [M22-LH-W](#) [M22-L-R](#) [M22-L-W](#) [M22-L-X](#) [M22-MS](#) [M22-R10K](#) [M22-R1K](#)