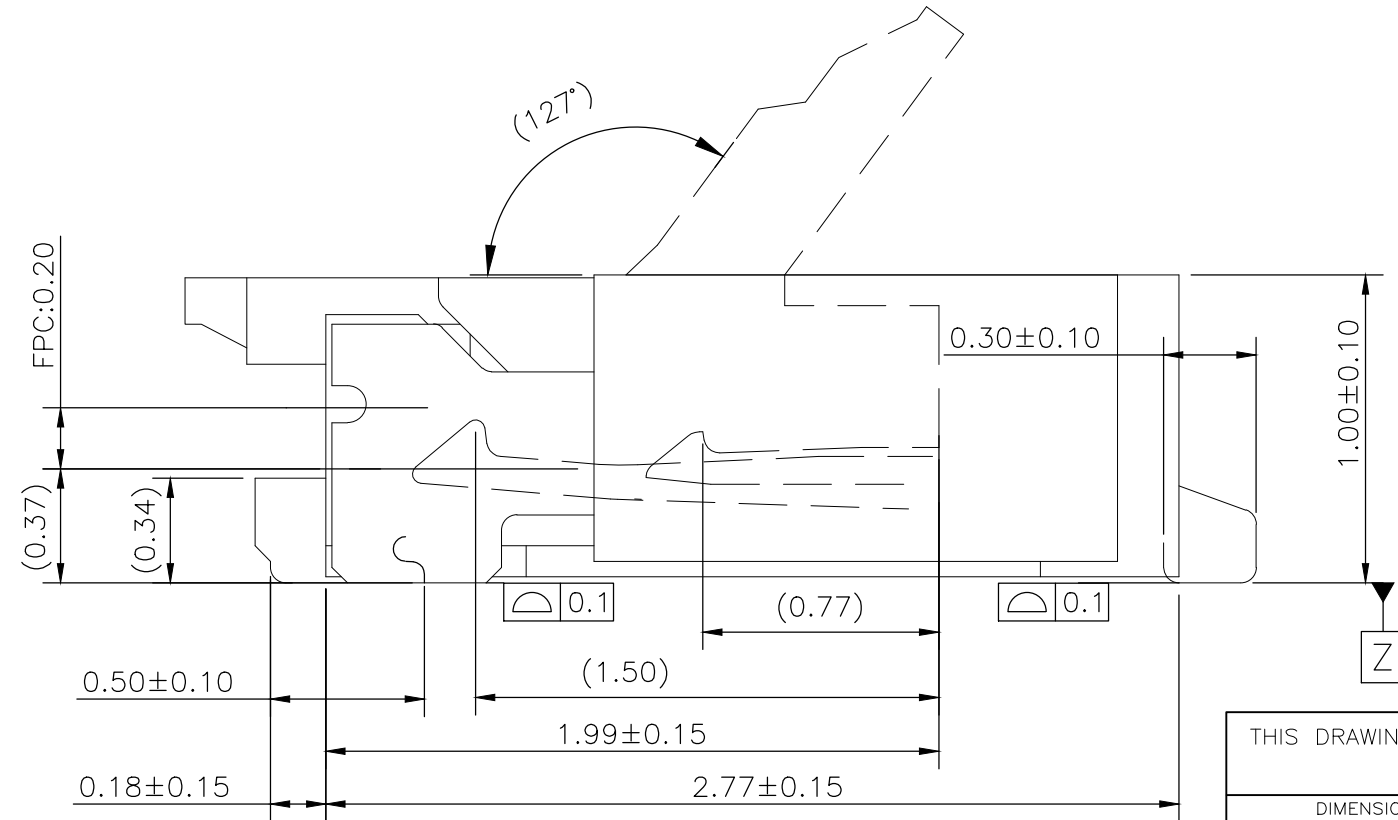
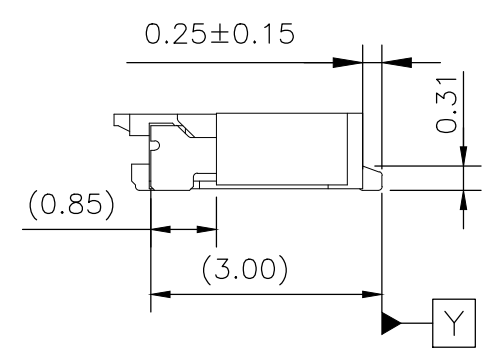
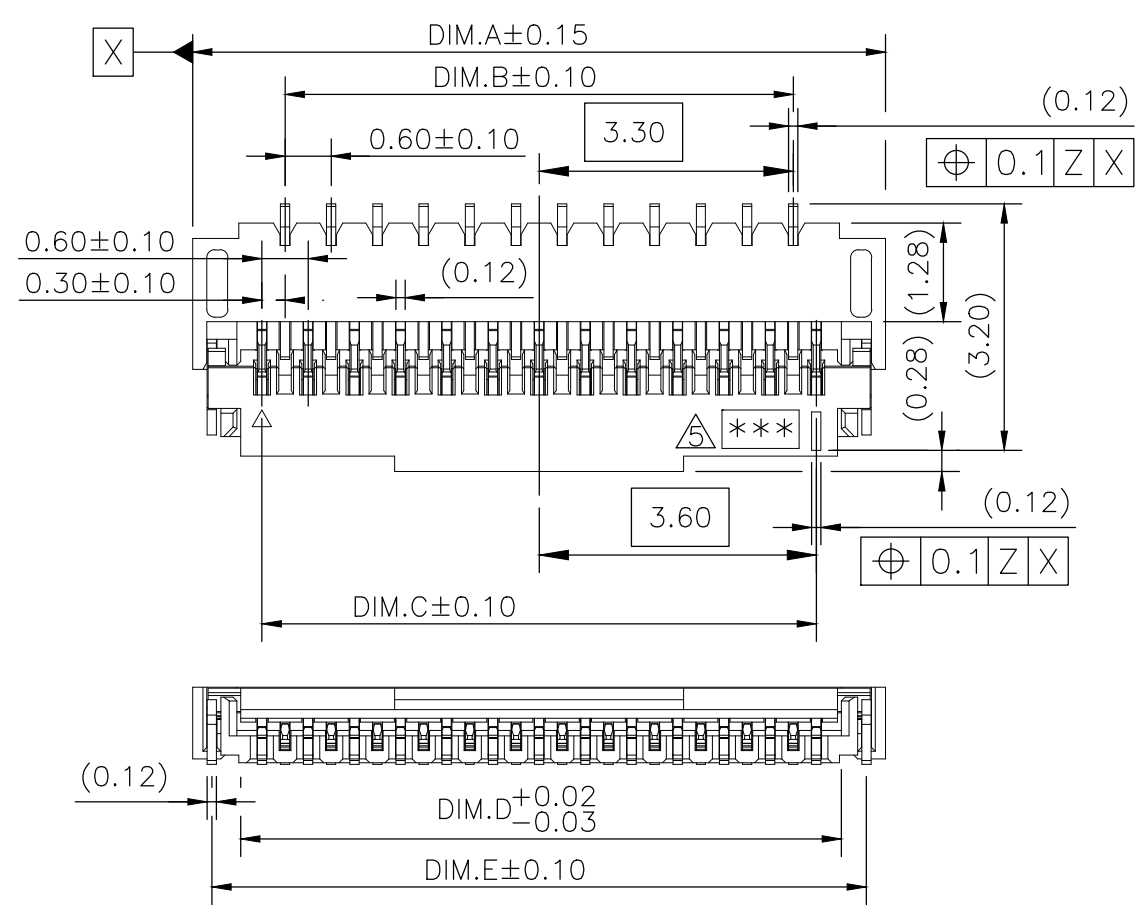


THIS DRAWING IS UNPUBLISHED. RELEASED FOR PUBLICATION
 © COPYRIGHT - - ALL RIGHTS RESERVED.

REVISIONS					
P	LTR	DESCRIPTION	DATE	DWN	APVD
3		modify the packaging specific	03AUG2018	E.Z	W.H



- NOTES:
- MATERIAL:
 - HOUSING : HIGH TEMPERATURE THERMOPLASTIC UL94V-0, COLOR: NATURAL.
 - ACTUATOR: HIGH TEMPERATURE THERMOPLASTIC UL94V-HB, COLOR: BLACK.
 - CONTACT: COPPER ALLOY.
 - FITTING NAIL : COPPER ALLOY.
 - FINISH:
 - CONTACT: GOLD PLATING 3u" MIN. ON CONTACT AREA. GOLD PLATING 1u" MIN. ON SOLDER TAILS. 50u"MIN. NICKEL UNDERPLATING OVERALL.
 - FITTING NAIL: TIN PLATING 80u" MIN. ON SOLDER TAILS. 50u" MIN. NICKEL UNDERPLATING OVERALL.
 - SPECIFICATION:

VOLTAGE: 30V AC/DC
 CURRENT RATING: 0.5 AMPERE
 CONTACT RESISTANCE: INITIAL 50 mOHMS MAX. AFTER TEST Δ30 mOHMS MAX.
 DIELECTRIC WITHSTANDING VOLTAGE: 250V AC/1 MINUTE;
 INSULATION RESISTANCE: 500M OHMS MIN.
 FFC/FPC WITHDRAWL FORCE: 0.20N PER CONTACT MIN;
 FFC/FPC THICKNESS: 0.20+/-0.03mm.
 - THE PRODUCT IS RoHS AND HF COMPLIANT.
- ⚠ PIN NO.

45	13.8	14.5	13.85	13.2	12.6	15.0	4-2328724-5
39	12.0	12.7	12.05	11.4	10.8	13.2	3-2328724-9
33	10.2	10.9	10.25	9.6	9.0	11.4	3-2328724-3
31	9.6	10.3	9.65	9.0	8.4	10.8	3-2328724-1
25	7.8	8.5	7.85	7.2	6.6	9.0	2-2328724-5
21	6.6	7.3	6.65	6.0	5.4	7.8	2-2328724-1
15	4.8	5.5	4.85	4.2	3.6	6.0	1-2328724-5
13	4.2	4.9	4.25	3.6	3.0	5.4	1-2328724-3
PIN NO.	DIM.F	DIM.E	DIM.D	DIM.C	DIM.B	DIM.A	PART NO.

THIS DRAWING IS A CONTROLLED DOCUMENT.

DIMENSIONS: mm	TOLERANCES UNLESS OTHERWISE SPECIFIED: 0 PLC ± 0.4 1 PLC ± 0.25 2 PLC ± 0.15 3 PLC ± 0.10 4 PLC ± - ANGLES ± 3.0	DWN Eliana.Zhang 29DEC2017	 TE Connectivity FPC CONNECTOR PITCH=0.30mm FRONT FLIP
	MATERIAL	CHK Wenke.He 29DEC2017	
	FINISH	APVD Wenke.He 29DEC2017	
		NAME 108-115143	
		PRODUCT SPEC	SIZE A3
		APPLICATION SPEC	CAGE CODE -
		WEIGHT SEE TABLE	DRAWING NO C-2328724
		CUSTOMER DRAWING	RESTRICTED TO -
		SCALE 10:1	SHEET 1 OF 3
			REV 3

THIS DRAWING IS UNPUBLISHED.

RELEASED FOR PUBLICATION

ALL RIGHTS RESERVED.

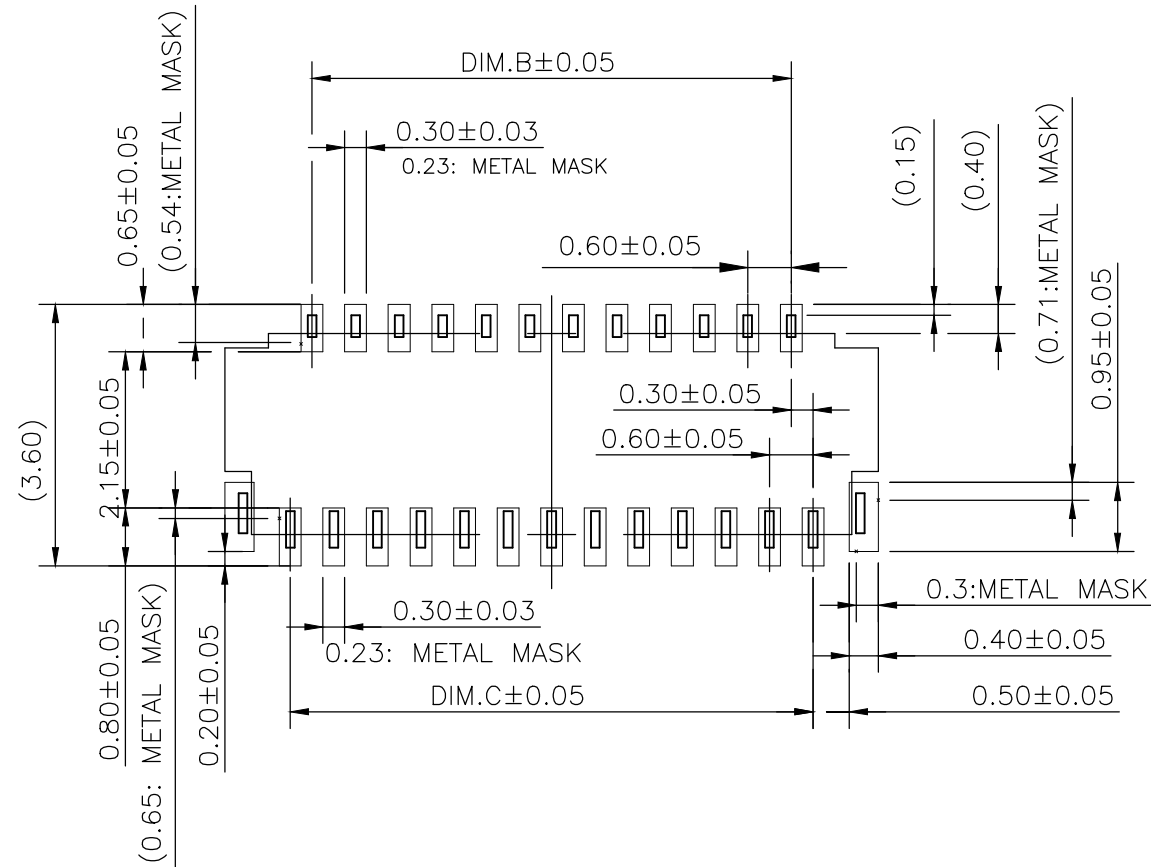
© COPYRIGHT - -

REVISIONS

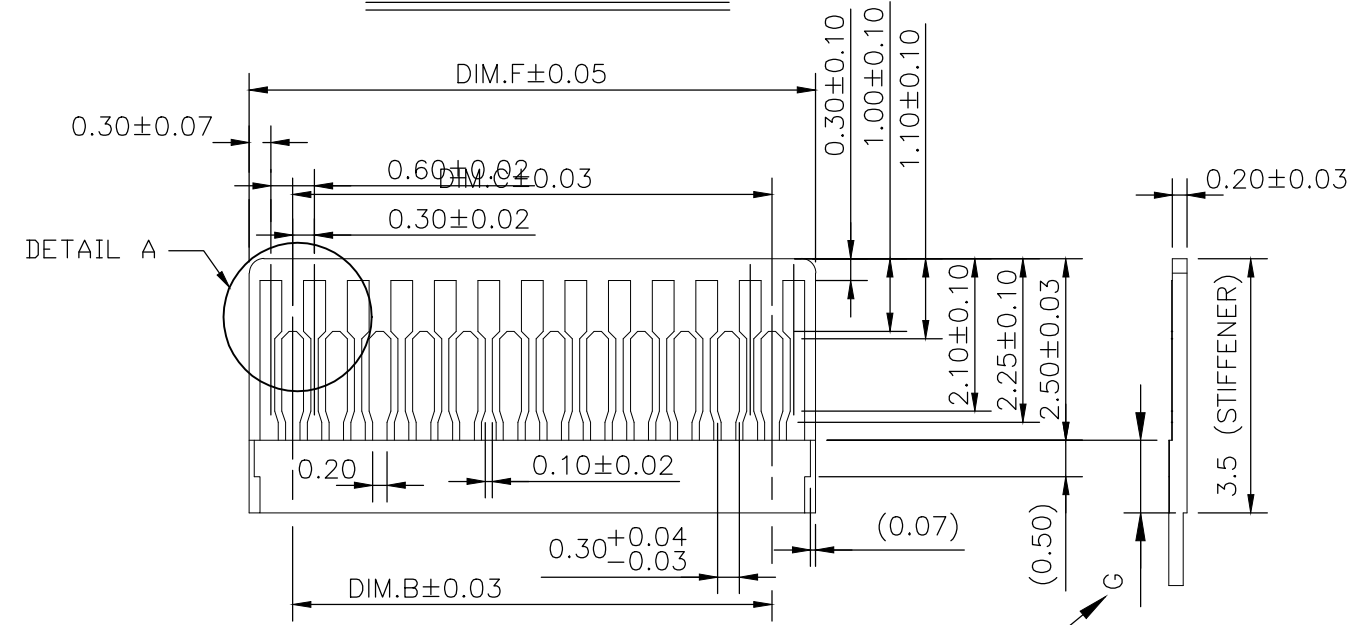
P	LTR	DESCRIPTION	DATE	DWN	APVD
-	-	SEE SHEET 1	-	-	-

RECOMMENDED LAND PATTERN

(RECOMMENDED METAL MASK THICKNESS:T=0.1mm)



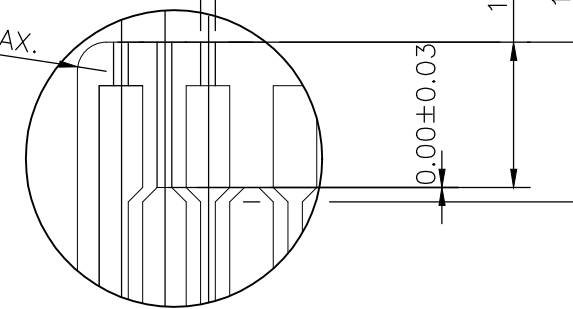
RECOMMENDED FPC




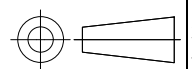
DIMENSION G MUST BE 0.5mm MIN. WHEN THE STIFFENER IS SHORTER THAN 3.5mm

(LEAD PLATED 0.10mm MAX.)

R0.20 MAX.



DETAIL A

THIS DRAWING IS A CONTROLLED DOCUMENT.		DWN Eliana.Zhang 29DEC2017	 TE Connectivity		
DIMENSIONS: mm		CHK Wenke.He 29DEC2017			
TOLERANCES UNLESS OTHERWISE SPECIFIED:		APVD Wenke.He 29DEC2017	NAME FPC CONNECTOR PITCH=0.30mm FRONT FLIP		
 0 PLC ± 0.4 1 PLC ± 0.25 2 PLC ± 0.15 3 PLC ± 0.10 4 PLC ± - ANGLES ± 3.0		PRODUCT SPEC 108-115143	RESTRICTED TO		
MATERIAL		APPLICATION SPEC	SIZE A3	CAGE CODE -	DRAWING NO C-2328724
FINISH		WEIGHT SEE TABLE	SCALE 10:1		SHEET 2 OF 3
		CUSTOMER DRAWING		REV 3	

THIS DRAWING IS UNPUBLISHED.

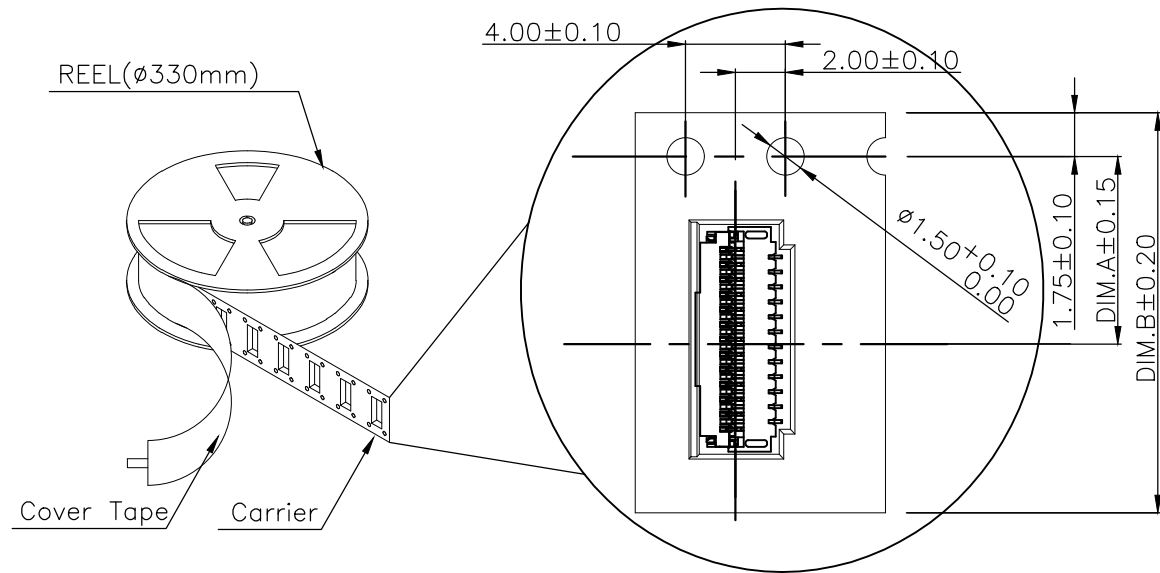
RELEASED FOR PUBLICATION

© COPYRIGHT - -

ALL RIGHTS RESERVED.

REVISIONS

P	LTR	DESCRIPTION	DATE	DWN	APVD
-	-	SEE SHEET 1	-	-	-



NOTES: (APPLIED TO CURRENT SHEET)

1. THE DIRECTION OF EACH CONNECTOR ON A EMBOSS IS REFERRED TO THIS DRAWING.
2. PACKAGED IN EMBOSS TAPE AND PLASTIC RELL 5000 PCS PER RELL.
3. WINDING THE COVER TAPE AROUND THE OUTER PERIPHERY IN A TURN.

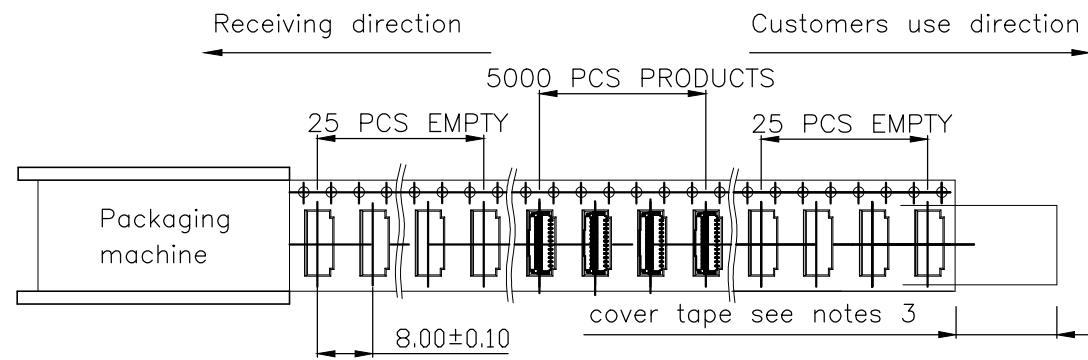
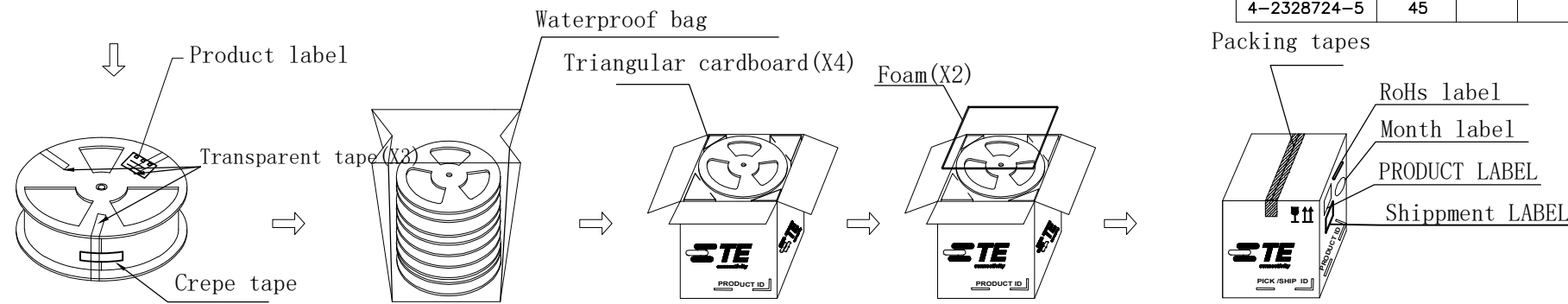


TABLE A

P/N	PIN NO.	Amount of packing				Weight of packing			
		DIM.A	DIM.B	Pcs/Reel	Reel/Carton	PCS/Carton	Unit weigh(g)	Net weight(kg)	GW (kg)
1-2328724-3	13	7.50	16.00	5,000	7	35,000	0.0305	1.068	4.43
1-2328724-5	15			5,000	7	35,000	0.0345	1.208	4.82
2-2328724-1	21			5,000	7	35,000	0.0455	1.593	5.21
2-2328724-5	25	11.50	24.00	5,000	7	35,000	0.0550	1.925	5.48
3-2328724-1	31			5,000	5	25,000	0.0645	1.613	4.99
3-2328724-3	33			5,000	5	25,000	0.0665	1.663	5.08
3-2328724-9	39			5,000	5	25,000	0.0775	1.938	5.37
4-2328724-5	45			5,000	5	25,000	0.0885	2.213	5.64



THIS DRAWING IS A CONTROLLED DOCUMENT.		DWN Eliana.Zhang 29DEC2017	TE Connectivity FPC CONNECTOR PITCH=0.30mm FRONT FLIP		
DIMENSIONS: mm		CHK Wenke.He 29DEC2017			
TOLERANCES UNLESS OTHERWISE SPECIFIED:		APVD Wenke.He 29DEC2017	NAME		
0 PLC ± 0.4 1 PLC ± 0.25 2 PLC ± 0.15 3 PLC ± 0.10 4 PLC ± - ANGLES ± 3.0		PRODUCT SPEC 108-115143	RESTRICTED TO		
MATERIAL		APPLICATION SPEC	SIZE A3	CAGE CODE -	DRAWING NO G-2328724
FINISH		WEIGHT SEE TABLE	SCALE 10:1	SHEET 3 of 3	REV 3
CUSTOMER DRAWING					

X-ON Electronics

Largest Supplier of Electrical and Electronic Components

Click to view similar products for [FFC & FPC Connectors](#) category:

Click to view products by [TE Connectivity](#) manufacturer:

Other Similar products are found below :

[FPH-1422G](#) [FPH-1602G](#) [K-FC20](#) [FPH-2022G](#) [AYF332735](#) [52610-1075](#) [52610-1275](#) [52610-1934](#) [501864-3091-TR225](#) [086222026001800](#)
[52610-0675](#) [62684-36210E9ALF](#) [52746-1671-TR250](#) [10051922-2810EHLF](#) [6-520415-9](#) [SFV6R-1STE9HLF](#) [XF3M-2915-1B-R100](#)
[1658549-1](#) [AYF534065TA](#) [AYF351525](#) [086212040340800+](#) [67000-014LF](#) [67000-004LF](#) [006207341915000+](#) [DS1020-19RT1D](#) [67000-](#)
[003LF](#) [67000-011LF](#) [67000-016LF](#) [HFW14R-2STE9LF](#) [SFV32R-2STBE9HLF](#) [SFW12R-5STE9LF](#) [SFW18R-1STAE9LF](#) [SFW4R-5STE9LF](#)
[52807-0430](#) [046283021002868+](#) [THD1015-8CL-SN](#) [67000-006LF](#) [502250-8027](#) [104267-9617](#) [66987-011LF](#) [AYF362535](#) [F0501-T-50-20T-](#)
[R](#) [F1003-ZV-12-25T-R](#) [HFW8S-2STAE1HLF](#) [67000-008LF](#) [67000-012LF](#) [ECC576069EU](#) [F1002-B-20-20T-R](#) [HFW15S-2STAE1HLF](#)
[HFW22R-2STE1H1LF](#)