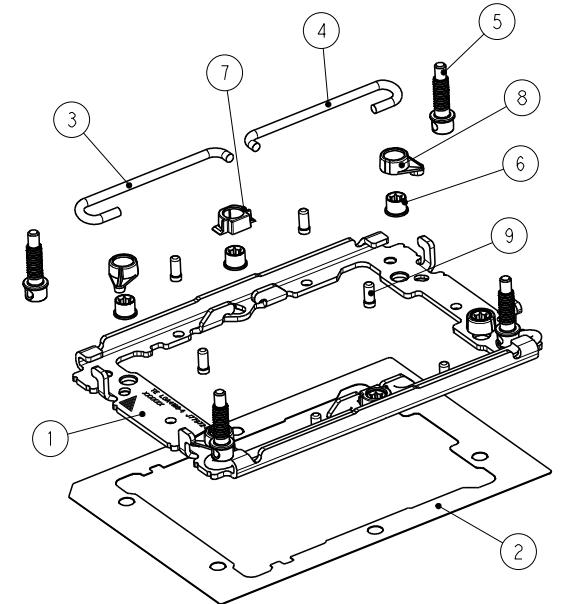
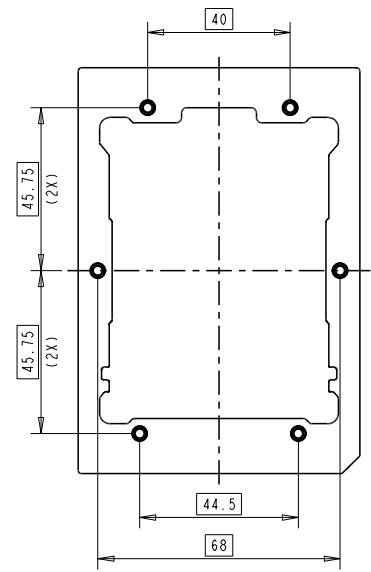
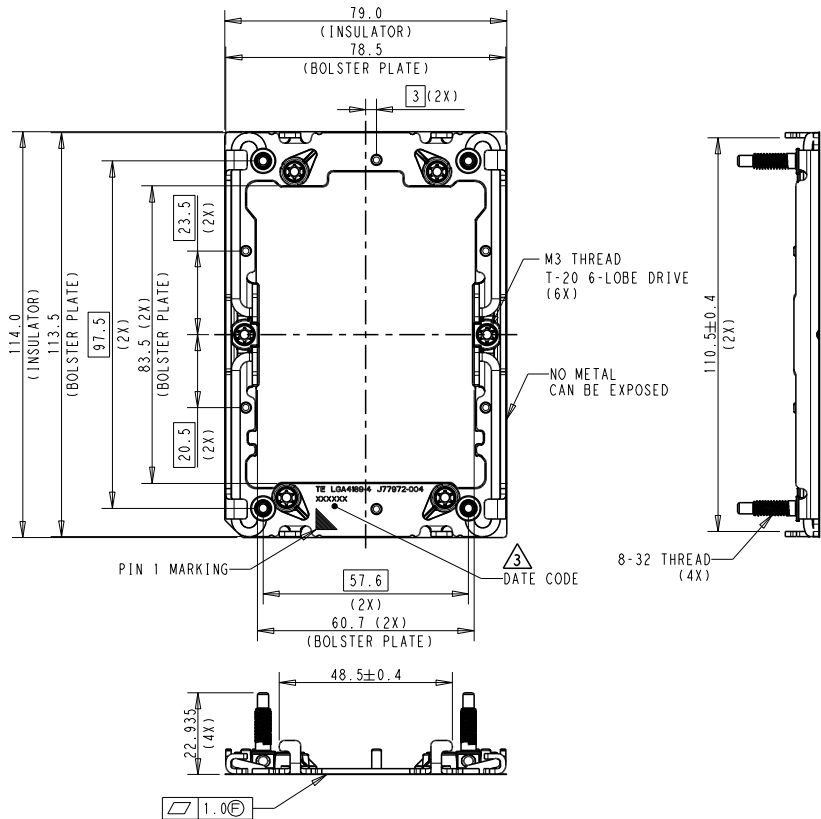


REVISIONS				
P	LTR	DESCRIPTION	DATE	OWN APVD
B1		REVISED	03MAR20	J.W S.L

P/N: 2-2330550-1 AS SHOW



- NOTES:
- MATERIAL:
 - 1 P4 TFLM BOLSTER PLATE: STAINLESS STEEL
 - 2 P4 TFLM BOLSTER INSULATOR: -POLYCARBONATE FILM PLUS ACRYLIC ADHESIVE LAYER
 - ICX TFLM SPRING-1: MUSIC WIRE, NICKEL PLATING
 - ICX TFLM SPRING-2: MUSIC WIRE, NICKEL PLATING
 - ICX TFLM SPRING STUD: STAINLESS STEEL
 - ICX TFLM M3 NUT : CARBON STEEL, NICKEL PLATING
 - ICX TFLM NUT CAP-SIDE: THERMO-PLASTIC, UL94V-0, BLACK
 - ICX TFLM NUT CAP: THERMO-PLASTIC, UL94V-0, BLACK
 - ICX TFLM WIRE STOP PIN: STAINLESS STEEL
2. ASSEMBLED WITH BACKPLATE ASSEMBLY P/N: 2330551 SERIES
3. INDICATED DATE CODE ON THE BOLSTER PLATE

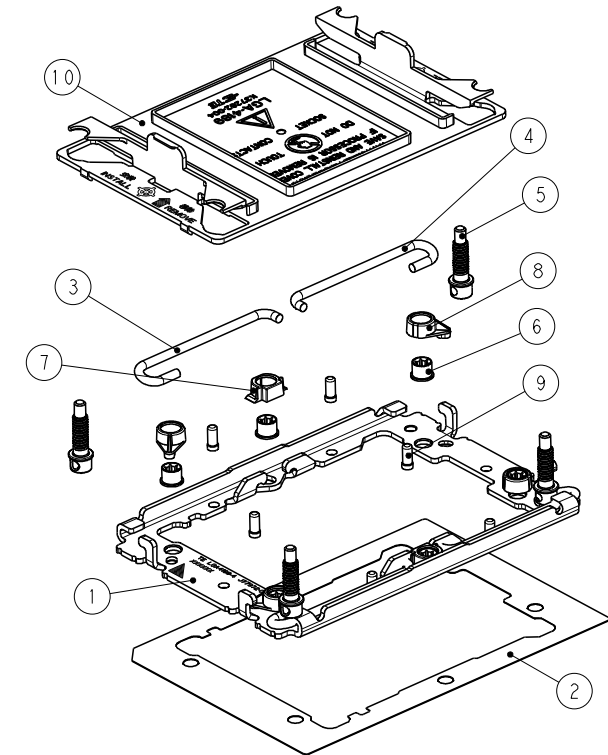
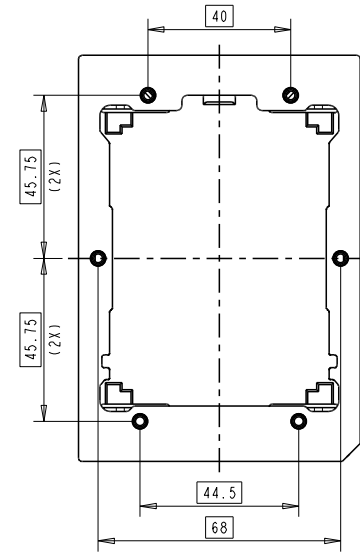
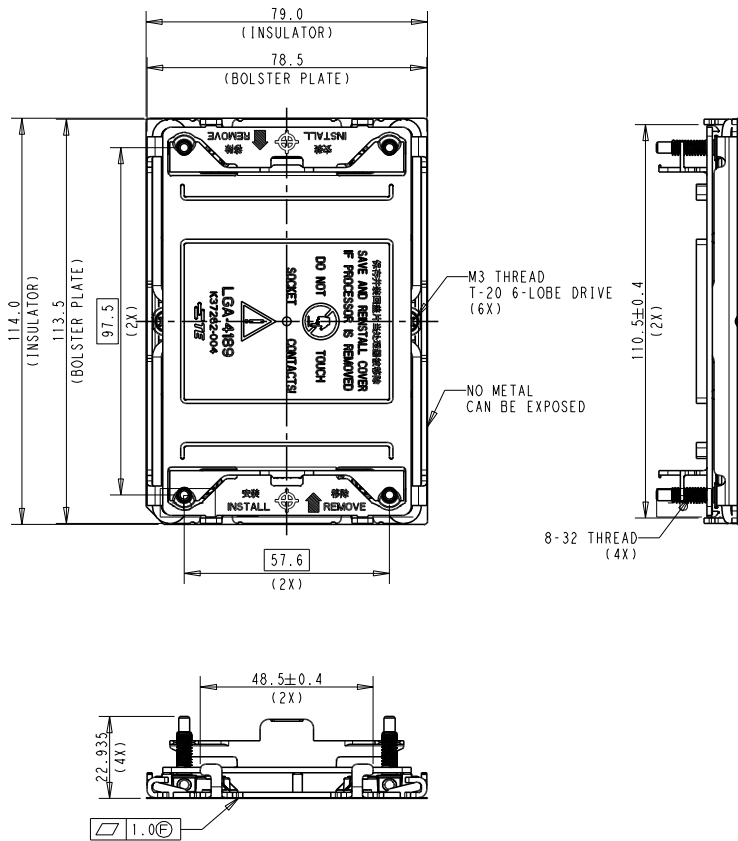
Q'TY	DESCRIPTION	ITEM
6	ICX TFLM WIRE STOP PIN	9
4	ICX TFLM NUT CAP, BLACK	8
2	ICX TFLM NUT CAP, SIDE, BLACK	7
6	ICX TFLM M3 NUT	6
4	ICX TFLM SPRING STUD	5
2	ICX TFLM SPRING-2	4
2	ICX TFLM SPRING-1	3
1	P4 TFLM BOLSTER INSULATOR	2
1	P4 TFLM BOLSTER PLATE	1

THIS DRAWING IS A CONTROLLED DOCUMENT.

DIMENSIONS mm	TOLERANCES UNLESS OTHERWISE SPECIFIED: 0 PLC ±0.3 1 PLC ±0.3 2 PLC ±0.3 3 PLC ±0.3 4 PLC ±0.3 ANGLES ±0.3 FINISH	DWN: JEFF WANG 08FEB2018 CHG: BILL LV 08FEB2018 APVD: SIMON LI 08FEB2018 NAME: SIMON LI PRODUCT SPEC: - APPLICATION SPEC: - WEIGHT: - CUSTOMER DRAWING	08FEB2018 08FEB2018 08FEB2018 NAME: SIMON LI PRODUCT SPEC: - APPLICATION SPEC: - WEIGHT: - CUSTOMER DRAWING	STE TE Connectivity SOCKET P4 TFLM ASSY WITHOUT DUST COVER SIZE: A200779 CAGE CODE: C-2330550 DRAWING NO: - RESTRICTED TO: - SCALE: 1:1 SHEET: 1 OF 5 REV: B1
------------------	---	---	--	--

REVISIONS				
P	LTR	DESCRIPTION	DATE	OWN APVD
-	-	SEE SHEET 1	-	-

P/N: 2-2330550-2 AS SHOW



Q'TY	DESCRIPTION	ITEM
1	DUST COVER, GREY	10
6	ICX TFLM WIRE STOP PIN	9
4	ICX TFLM NUT CAP, BLACK	8
2	ICX TFLM NUT CAP, SIDE, BLACK	7
6	ICX TFLM M3 NUT	6
4	ICX TFLM SPRING STUD	5
2	ICX TFLM SPRING-2	4
2	ICX TFLM SPRING-1	3
1	P4 TFLM BOLSTER INSULATOR	2
1	P4 TFLM BOLSTER PLATE	1

NOTES:

- MATERIAL:
 - P4 TFLM BOLSTER PLATE: STAINLESS STEEL
 - P4 TFLM BOLSTER INSULATOR: POLYCARBONATE FILM PLUS ACRYLIC ADHESIVE LAYER
 - ICX TFLM SPRING-1: MUSIC WIRE, NICKEL PLATING
 - ICX TFLM SPRING-2: MUSIC WIRE, NICKEL PLATING
 - ICX TFLM SPRING STUD: STAINLESS STEEL
 - ICX TFLM M3 NUT: CARBON STEEL, NICKEL PLATING
 - ICX TFLM NUT CAP-SIDE: THERMO-PLASTIC, UL94V-0, BLACK
 - ICX TFLM NUT CAP: THERMO-PLASTIC, UL94V-0, BLACK
 - ICX TFLM WIRE STOP PIN: STAINLESS STEEL
 - DUST COVER: PC+ABS, UL94V-0, GREY
- ASSEMBLED WITH BACKPLATE ASSEMBLY P/N: 2330551 SERIES
- BOLSTER ASSY WITH DUST COVER, ALL DIMENSIONS ARE THE SAME AS PN 2-2330550-1.

THIS DRAWING IS A CONTROLLED DOCUMENT. DWN: JEFF WANG 08FEB2018
 CHG: BILL LY 08FEB2018
 APVD: SIMON LI 08FEB2018

JEFF WANG
 BILL LY
 SIMON LI

NAME: SOCKET P4 TFLM ASSY WITH DUST COVER

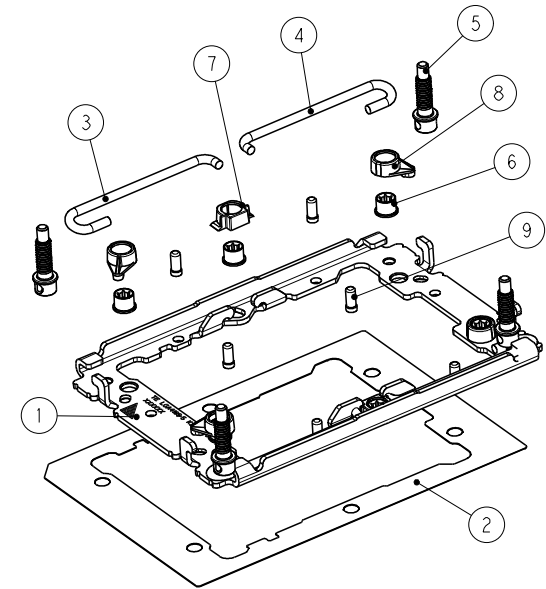
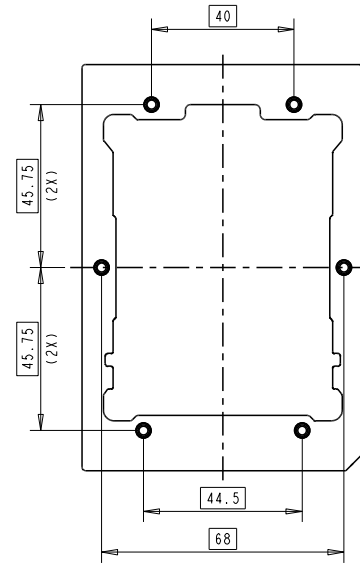
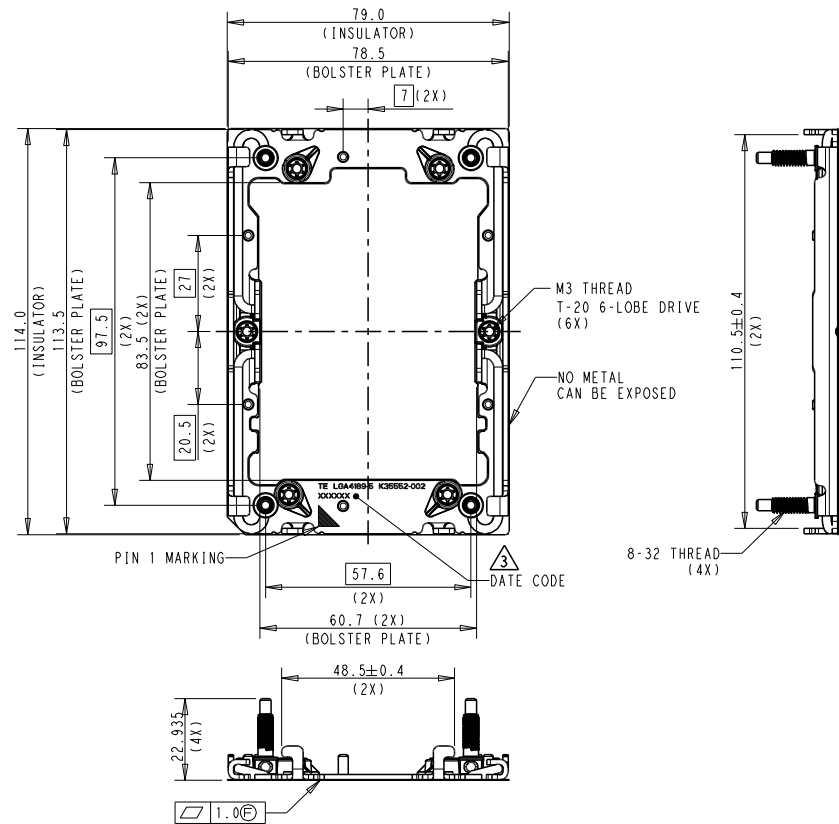
PRODUCT SPEC: -
 APPLICATION SPEC: -
 WEIGHT: -
 CUSTOMER DRAWING

SIZE: A2
 CAGE CODE: 00779
 DRAWING NO: 2330550

SCALE: 1:1
 SHEET: 2 OF 5
 REV: B1

REVISIONS				
P	LTR	DESCRIPTION	DATE	OWN APVD
-	-	SEE SHEET 1	-	-

P/N: 3-2330550-1 AS SHOW



NOTES:

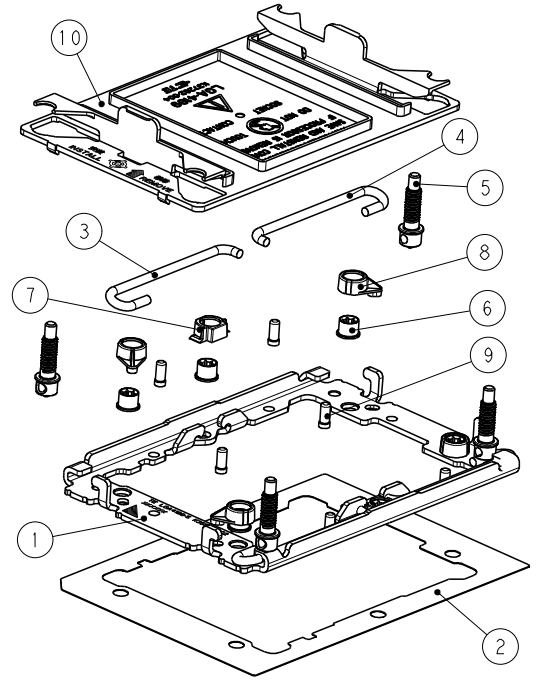
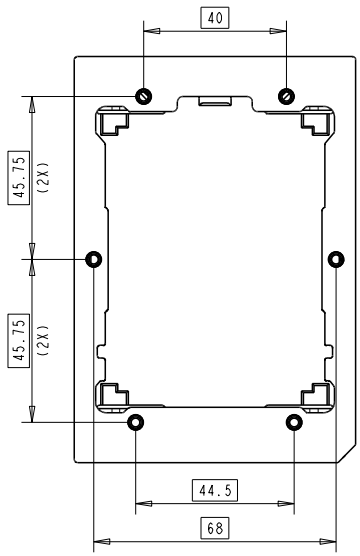
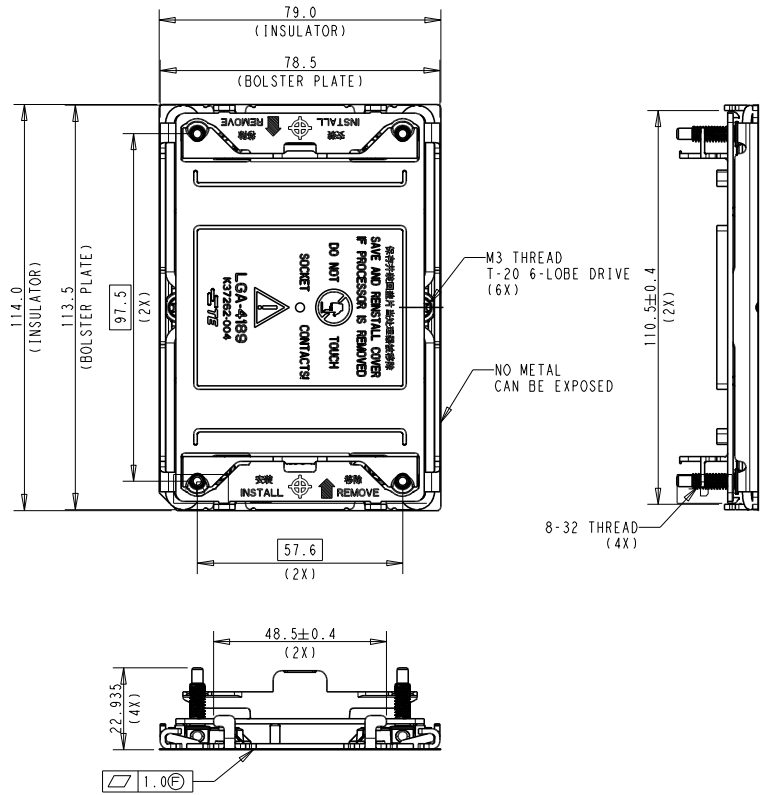
- MATERIAL:
 - P5 TFLM BOLSTER PLATE: STAINLESS STEEL
 - P5 TFLM BOLSTER INSULATOR: -POLYCARBONATE FILM PLUS ACRYLIC ADHESIVE LAYER
 - ICX TFLM SPRING-1: MUSIC WIRE, NICKEL PLATING
 - ICX TFLM SPRING-2: MUSIC WIRE, NICKEL PLATING
 - ICX TFLM SPRING STUD: STAINLESS STEEL
 - ICX TFLM M3 NUT : CARBON STEEL, NICKEL PLATING
 - ICX TFLM NUT CAP-SIDE: THERMO-PLASTIC, UL94V-0, GREY
 - ICX TFLM NUT CAP: THERMO-PLASTIC, UL94V-0, GREY
 - ICX TFLM WIRE STOP PIN: STAINLESS STEEL
2. ASSEMBLED WITH BACKPLATE ASSEMBLY P/N: 2330551 SERIES
3. INDICATED DATE CODE ON THE BOLSTER PLATE

6	ICX TFLM WIRE STOP PIN	9
4	ICX TFLM NUT CAP, GREY	8
2	ICX TFLM NUT CAP, SIDE, GREY	7
6	ICX TFLM M3 NUT	6
4	ICX TFLM SPRING STUD	5
2	ICX TFLM SPRING-2	4
2	ICX TFLM SPRING-1	3
1	P5 TFLM BOLSTER INSULATOR	2
1	P5 TFLM BOLSTER PLATE	1
Q'TY	DESCRIPTION	ITEM

THIS DRAWING IS A CONTROLLED DOCUMENT.		DMN: 08FEB2018	JEFF WANG															
DIMENSIONS: mm		CHK: 08FEB2018	BILL LY															
TOLERANCES UNLESS OTHERWISE SPECIFIED:		APVD: 08FEB2018	SIMON LI															
<table border="1"> <tbody> <tr> <td>0 PLC</td> <td>±0.3</td> </tr> <tr> <td>1 PLC</td> <td>±0.3</td> </tr> <tr> <td>2 PLC</td> <td>±0.3</td> </tr> <tr> <td>3 PLC</td> <td>±0.3</td> </tr> <tr> <td>4 PLC</td> <td>±0.3</td> </tr> <tr> <td>ANGLES</td> <td>±0.3</td> </tr> <tr> <td>FINISH</td> <td>-</td> </tr> </tbody> </table>		0 PLC	±0.3	1 PLC	±0.3	2 PLC	±0.3	3 PLC	±0.3	4 PLC	±0.3	ANGLES	±0.3	FINISH	-	PRODUCT SPEC: - APPLICATION SPEC: - WEIGHT: - CUSTOMER DRAWING		
0 PLC	±0.3																	
1 PLC	±0.3																	
2 PLC	±0.3																	
3 PLC	±0.3																	
4 PLC	±0.3																	
ANGLES	±0.3																	
FINISH	-																	
MATERIAL: -		NAME: SIMON LI SIZE: A2 CAGE CODE: 00779 DRAWING NO: C-2330550 RESTRICTED TO: -																
		SCALE: 1:1 SHEET: 3 OF 5 REV: B1																

REVISIONS				
P	LTR	DESCRIPTION	DATE	APPV
-	-	SEE SHEET 1	-	-

P/N: 3-2330550-2 AS SHOW



- NOTES:
 1. MATERIAL:
 ① P5 TFLM BOLSTER PLATE: STAINLESS STEEL
 ② P5 TFLM BOLSTER INSULATOR:
 -POLYCARBONATE FILM PLUS ACRYLIC ADHESIVE LAYER
 ③ ICX TFLM SPRING-1: MUSIC WIRE, NICKEL PLATING
 ④ ICX TFLM SPRING-2: MUSIC WIRE, NICKEL PLATING
 ⑤ ICX TFLM SPRING STUD: STAINLESS STEEL
 ⑥ ICX TFLM M3 NUT : CARBON STEEL, NICKEL PLATING
 ⑦ ICX TFLM NUT CAP-SIDE: THERMO-PLASTIC, UL94V-0, GREY
 ⑧ ICX TFLM NUT CAP: THERMO-PLASTIC, UL94V-0, GREY
 ⑨ ICX TFLM WIRE STOP PIN: STAINLESS STEEL
 ⑩ DUST COVER: PC+ABS, UL94V-0, GREY
 2. ASSEMBLED WITH BACKPLATE ASSEMBLY P/N: 2330551 SERIES
 3. BOLSTER ASSY WITH DUST COVER, ALL DIMENSIONS ARE THE SAME AS PN 3-2330550-1.

Q'TY	DESCRIPTION	ITEM
1	DUST COVER, GREY	10
6	ICX TFLM WIRE STOP PIN	9
4	ICX TFLM NUT CAP, GREY	8
2	ICX TFLM NUT CAP, SIDE, GREY	7
6	ICX TFLM M3 NUT	6
4	ICX TFLM SPRING STUD	5
2	ICX TFLM SPRING-2	4
2	ICX TFLM SPRING-1	3
1	P5 TFLM BOLSTER INSULATOR	2
1	P5 TFLM BOLSTER PLATE	1

THIS DRAWING IS A CONTROLLED DOCUMENT. DWG: 08FEB2018
 CHK: JEFF WANG
 BILL LV 08FEB2018
 APVO: SIMON LI 08FEB2018

JEFF WANG
 SIMON LI

TE Connectivity

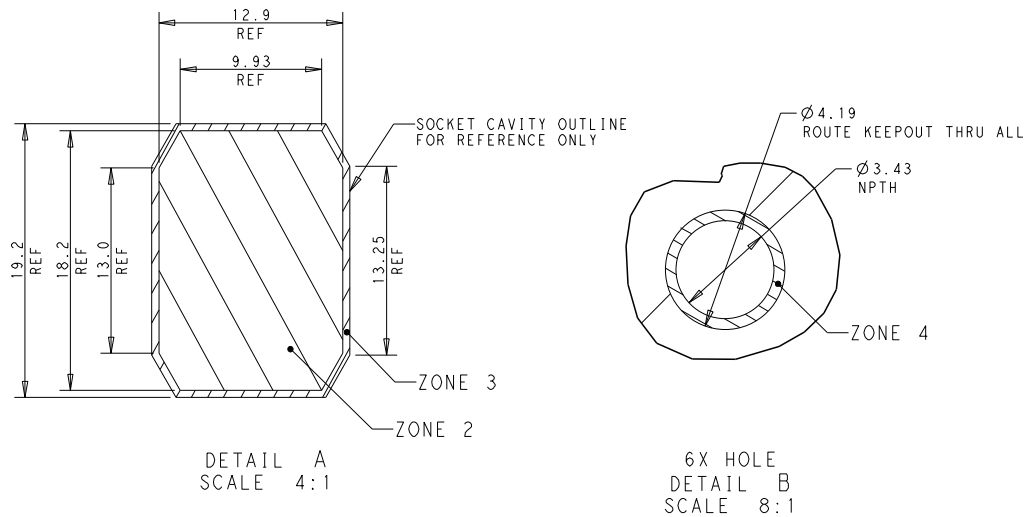
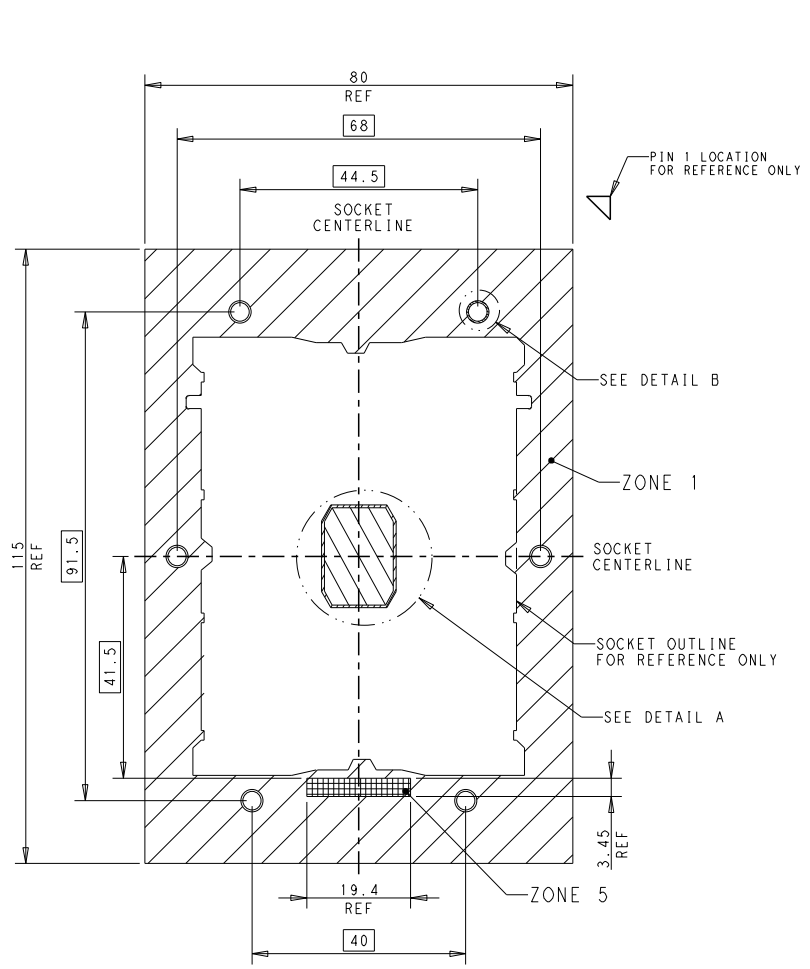
SOCKET P5 TFLM ASSY WITH DUST COVER

SIZE: A200779 CAGE CODE: C-2330550 DRAWING NO: -
 WEIGHT: -
 MATERIAL: -
 FINISH: -

CUSTOMER DRAWING

SCALE: 1:1 SHEET: 4 OF 5 REV: B1

REVISIONS				
P	LTR	DESCRIPTION	DATE	APPV
-	-	SEE SHEET 1	-	-



KOZ LEGEND	
	ZONE 1: BOLSTER PLATE ZONE, NO OTHER COMPONENT PLACEMENT ALLOWED, 0.0MM HEIGHT RESTRICTION
	ZONE 2: SOCKET CAVITY 1.222 MM MAX HEIGHT RESTRICTION
	ZONE 3: SOCKET CAVITY TO SOCKET ZONE NO OTHER COMPONENT PLACEMENT ALLOWED, 0.0MM HEIGHT RESTRICTION
	ZONE 4: NO ROUTE ZONE, THROUGH ALL LAYERS
	ZONE 5: PRIMARY SIDE COMPONENT PLACEMENT ZONE MAX. COMPONENT HEIGHT OF 1.5MM

REFERENCE BOLSTER KEEPOUT ZONE

FOR GENERAL BOARD DESIGN, PLEASE REFER TO THE THERMAL AND MECHANICAL DESIGN GUIDELINES PROVIDED BY INTEL

THIS DRAWING IS A CONTROLLED DOCUMENT.		DMN: JEFF WANG 08FEB2018	TE Connectivity	
DIMENSIONS: mm		CHK: BILL LV 08FEB2018		
		APV: SIMON LI 08FEB2018	NAME: SOCKET P4/P5 TFLM KOZ	
TOLERANCES UNLESS OTHERWISE SPECIFIED:		PRODUCT SPEC: -		
0 PLC ±0.3		APPLICATION SPEC: -		
1 PLC ±0.3		WEIGHT: -		
2 PLC ±0.3		CUSTOMER DRAWING		
3 PLC ±0.3		SIZE: A200779		
4 PLC ±0.3		CAGE CODE: C=2330550		
ANGLES: ±0.3		DRAWING NO: -		
FINISH: -		RESTRICTED TO: -		
MATERIAL: -		SCALE: 3:2		
-		SHEET: 5 OF 5		
-		REV: B1		

X-ON Electronics

Largest Supplier of Electrical and Electronic Components

Click to view similar products for IC & Component Sockets category:

Click to view products by TE Connectivity manufacturer:

Other Similar products are found below :

[0066-3-17-15-30-14-02-0](#) [670](#) [672](#) [673](#) [694-13-640-00-672-000](#) [712-93-120-41-001000](#) [714-93-104-31-018000](#) [8059-4G1-LF](#) [807-22-001-10-001101](#) [807-22-001-10-006101](#) [807-22-001-30-011101](#) [807-22-001-30-012101](#) [807-22-001-30-013101](#) [807-22-001-30-014101](#) [8-1437531-4](#) [8150-6P10](#) [833-93-034-10-001000](#) [851-41-006-10-001000](#) [851-43-008-20-001000](#) [851-43-014-20-001000](#) [851-93-006-20-001000](#) [851-93-010-20-001000](#) [853-43-020-10-001000](#) [86.010.0053.0](#) [116-43-308-41-007000](#) [PX-68LCC](#) [121-13-318-41-001000](#) [121-13-320-41-001000](#) [121-13-308-41-001000](#) [123-43-314-41-801000](#) [123-43-420-41-001000](#) [122-13-316-41-001000](#) [123-13-624-41-001000](#) [123-43-306-41-001000](#) [12-3513-11](#) [123-91-320-41-001000](#) [126-43-310-41-002000](#) [AKSUN 37V-T](#) [1437503-9](#) [1437504-1](#) [146-44-308-41-013000](#) [146-43-308-41-012000](#) [160-10-308-00-001000](#) [160-40-320-00-001000](#) [214-99-306-01-670800](#) [232-1270-02-0602](#) [2-382761-4](#) [2-5331677-4](#) [2-640360-3](#) [2801-2-00-50-00-00-07-0](#)