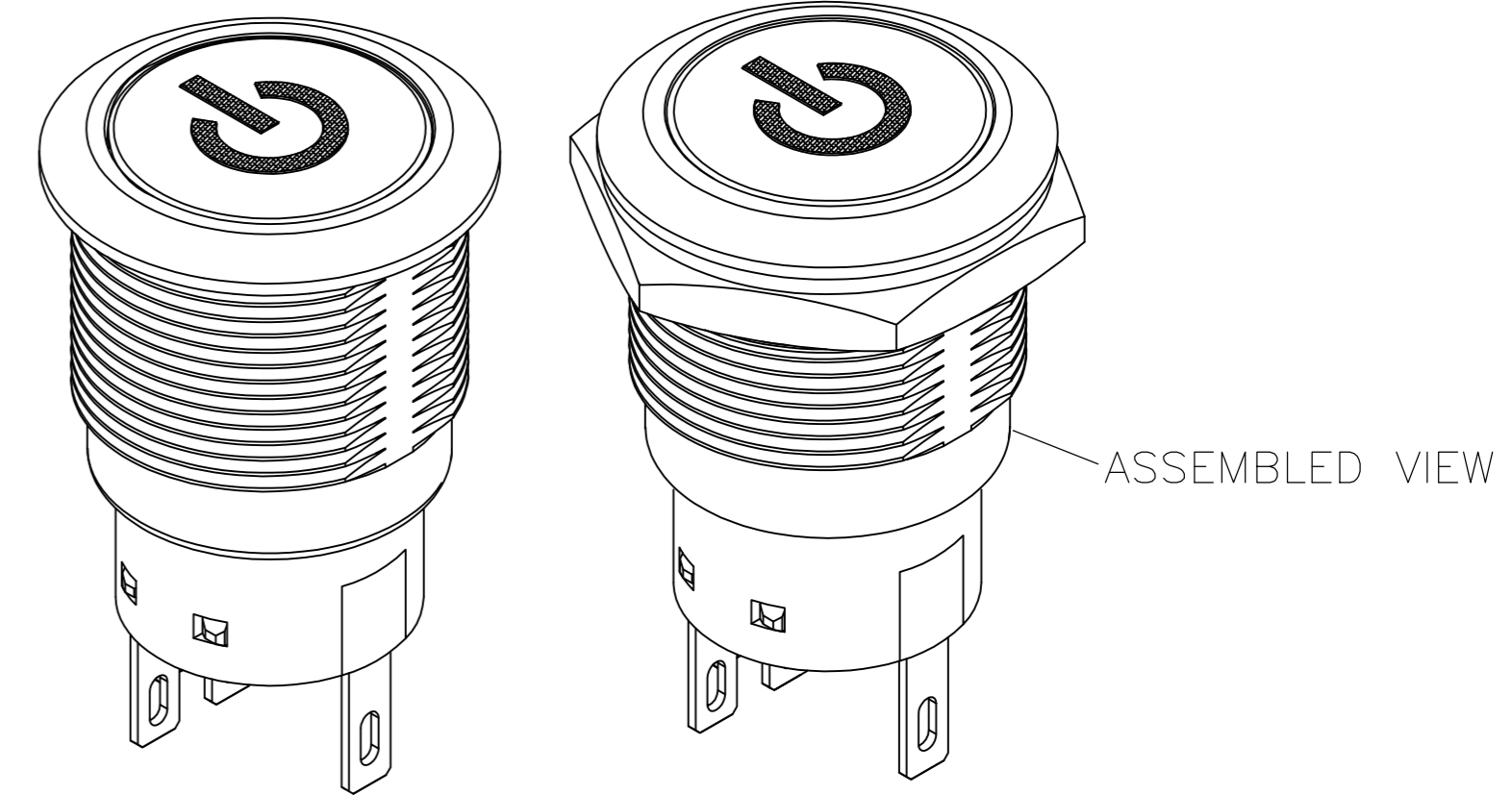
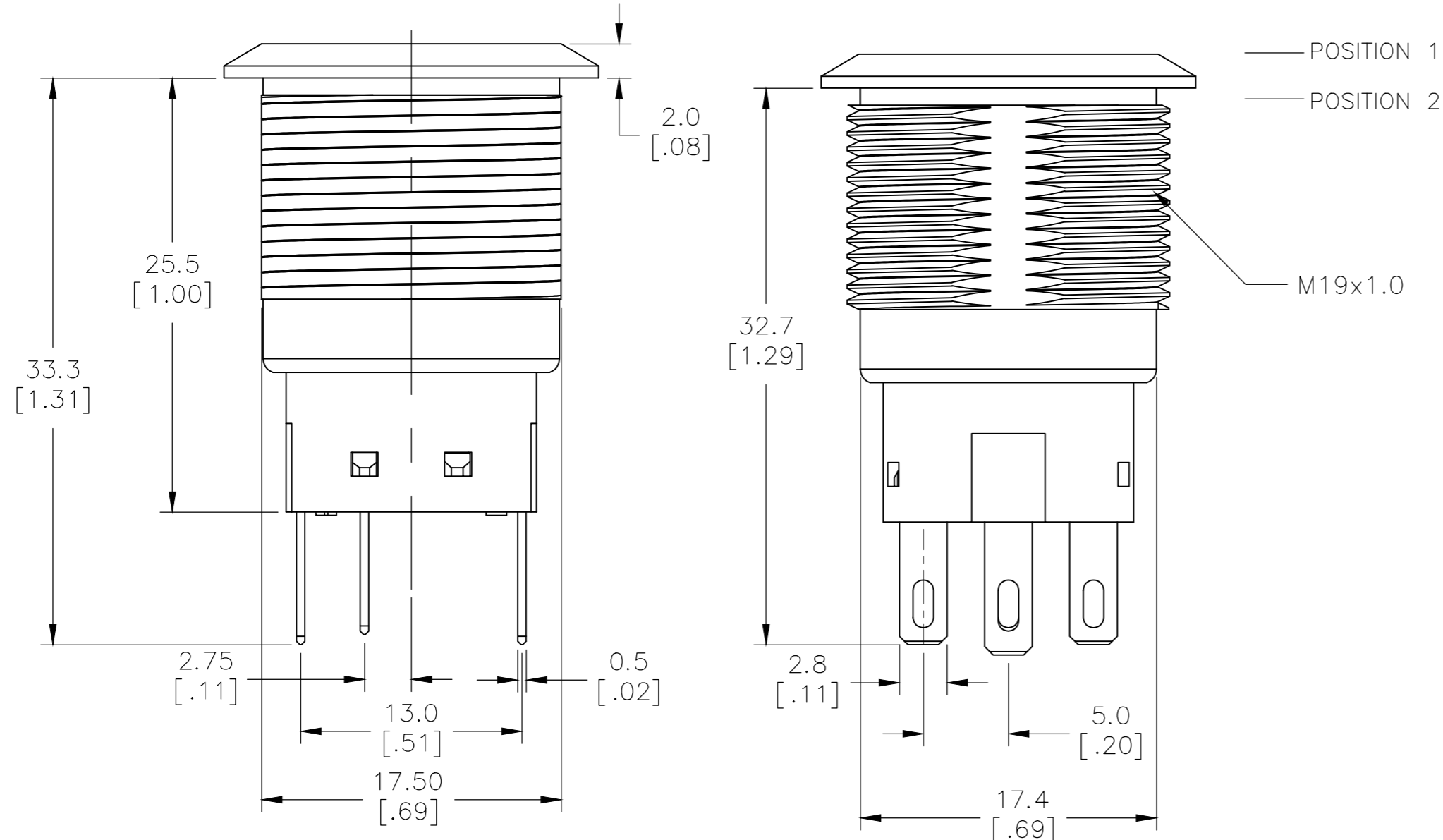


THIS DRAWING IS UNPUBLISHED. RELEASED FOR PUBLICATION. ALL RIGHTS RESERVED.

REVISIONS					
P	LTR	DESCRIPTION	DATE	DWN	APVD
2		UPDATES	02APR2019	SR	AS

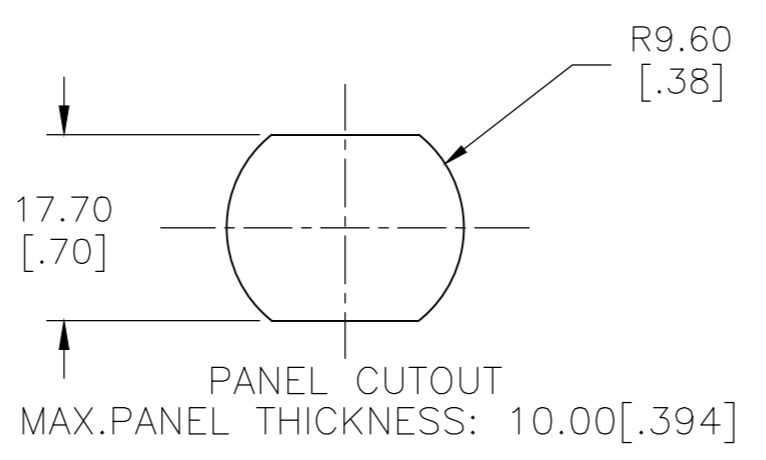
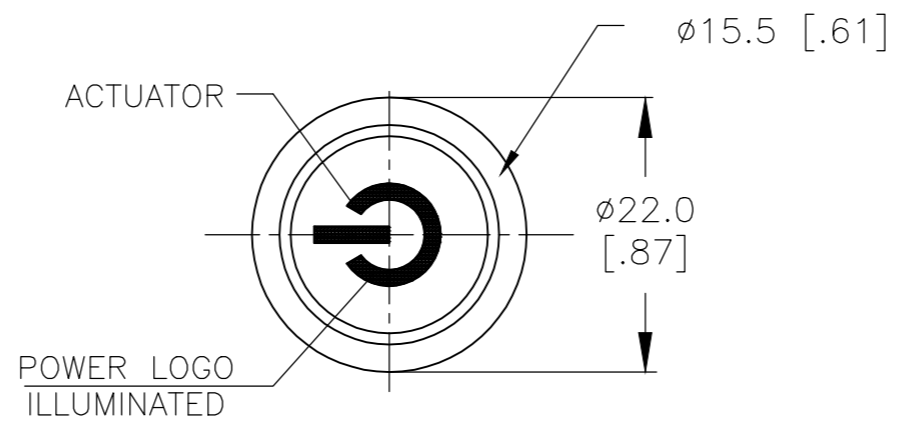
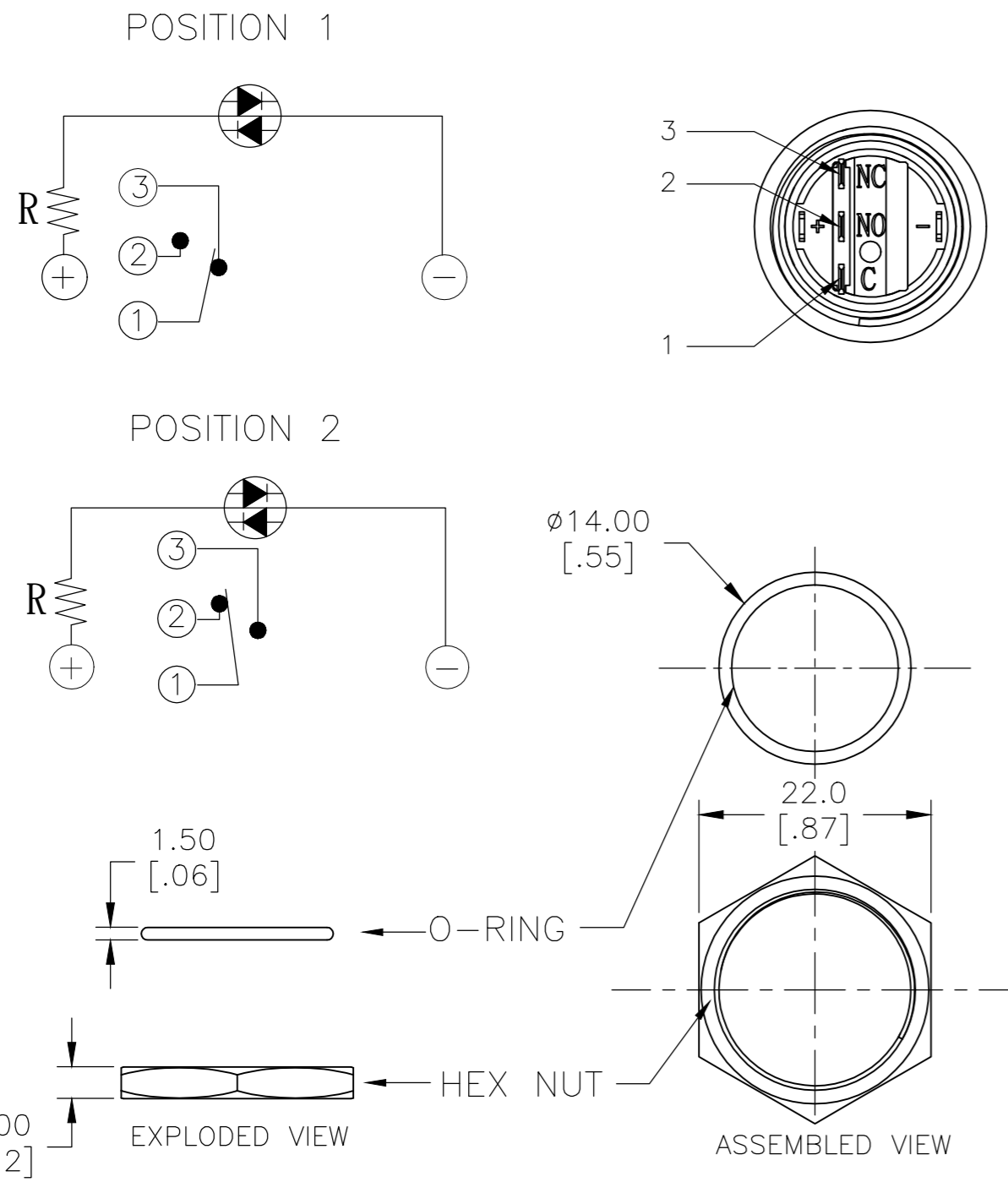


CONTACT RATING: SILVER: 3A @ 250 VAC RESISTIVE
 INSULATION RESISTANCE: 1,000MΩ MIN AT 500VDC
 DIELECTRIC STRENGTH: 2,000V RMS @ SEA LEVEL
 CONTACT RESISTANCE: 50 mΩ MAX @ 1A 12VDC (INITIAL VALUE)
 ELECTRICAL LIFE: 50,000 MAKE AND BREAK CYCLES AT FULL LOAD

ACTUATION FORCE: SP: 5.5±1 NEWTON
 ACTUATION TRAVEL: APPROXIMATELY 3.2mm
 SEALED PER IP67, IK10 (STAINLESS)
 OPERATING TEMPERATURE: -20°C TO +55°C
 MECHANICAL LIFE: LOCKING: 500,000 CYCLES
 HARDWARE TORQUE: 5-14 N-m

MATERIALS
 BUSHING: STAINLESS STEEL
 BASE: PBT (UL 94-V0), PC (UL 94-V2)
 ACTUATOR: STAINLESS STEEL, PC
 O-RING: SILICONE
 TERMINAL: COPPER ALLOY, SILVER PLATED
 HEX NUT: BRASS, NICKEL PLATED
 INNER ASSEMBLY: POM/PA66
 SEALANT: SILICONE
 CONTACT: COPPER ALLOY, SILVER PLATED.
 SPRING: SPRING STEEL

1. COMPLIANCE: THE CURRENT STATEMENT OF COMPLIANCE IS AVAILABLE AT TE.COM.
2. HARDWARE IS SHIPPED UNASSEMBLED.



SINGLE POLE-LOCKING	SILVER	BLUE	12V	TBD	3-2344203-7
POLE/THROW	CONTACT	LED COLOUR	LED VOLTAGE	TE DESCRIPTIVE PN	TE PART NUMBER
THIS DRAWING IS A CONTROLLED DOCUMENT.			DWN DEEPA H C 10OCT2018	TE TE Connectivity	
DIMENSIONS: mm [INCHES]			CHK Peter Ott 10OCT2018		
TOLERANCES UNLESS OTHERWISE SPECIFIED:			APVD Peter Ott 10OCT2018	NAME	
0 PLC ± -	1 PLC ± 0.4 [.016]	2 PLC ± 0.25 [.010]	4 PLC ± -	PRODUCT SPEC	
MATERIAL			FINISH	APPLICATION SPEC	
-			-	WEIGHT	
-			-	SCALE 6:1 SHEET 1 of 1 REV 2	
CUSTOMER DRAWING			A2 00779 C=2344203		

PRELIMINARY

X-ON Electronics

Largest Supplier of Electrical and Electronic Components

Click to view similar products for [Pushbutton Switches](#) category:

Click to view products by [TE Connectivity](#) manufacturer:

Other Similar products are found below :

[8940K2012](#) [LW1L-M1C10V-A](#) [LW1L-M1C70-A](#) [LW2L-A1C20M-GD](#) [LW2L-M1C20M-A](#) [60324L](#) [M22-D-R-GB0/K11](#) [M7E-HRN2](#)
[67021K512](#) [67081K512X](#) [701PB580](#) [7199K101](#) [810K12910](#) [810KSV30B](#) [MML21EA2ADK](#) [MML21KA3ABK](#) [MML23KA3AC05K-001](#)
[MML23KW3AA01W](#) [8418K2](#) [8442K2](#) [8442K3](#) [8450K1](#) [860K11911T01A](#) [861901](#) [861K11911T01A07](#) [861K13810T00A14](#) [861K13911](#)
[8646AB6X718UL](#) [8646ABUL](#) [9001KXRK](#) [907AYY100](#) [PMHD155A1](#) [9533CD4+U574+U4922](#) [95-414.000](#) [99-450.837](#) [99-453.837](#)
[PV3H2B0NN-341](#) [1203MRA](#) [A22NZBGANGA](#) [A22NZBNANGA](#) [A22NZMPATRA](#) [A2PMA1X03EC56](#) [A3A-5123-02](#) [A3A-7140](#) [A3A-7310](#) [A3A-7340](#) [A3U-TMW-A2C-5M](#) [A595](#) [12037A2ULCSA](#) [ABD122N-B](#)