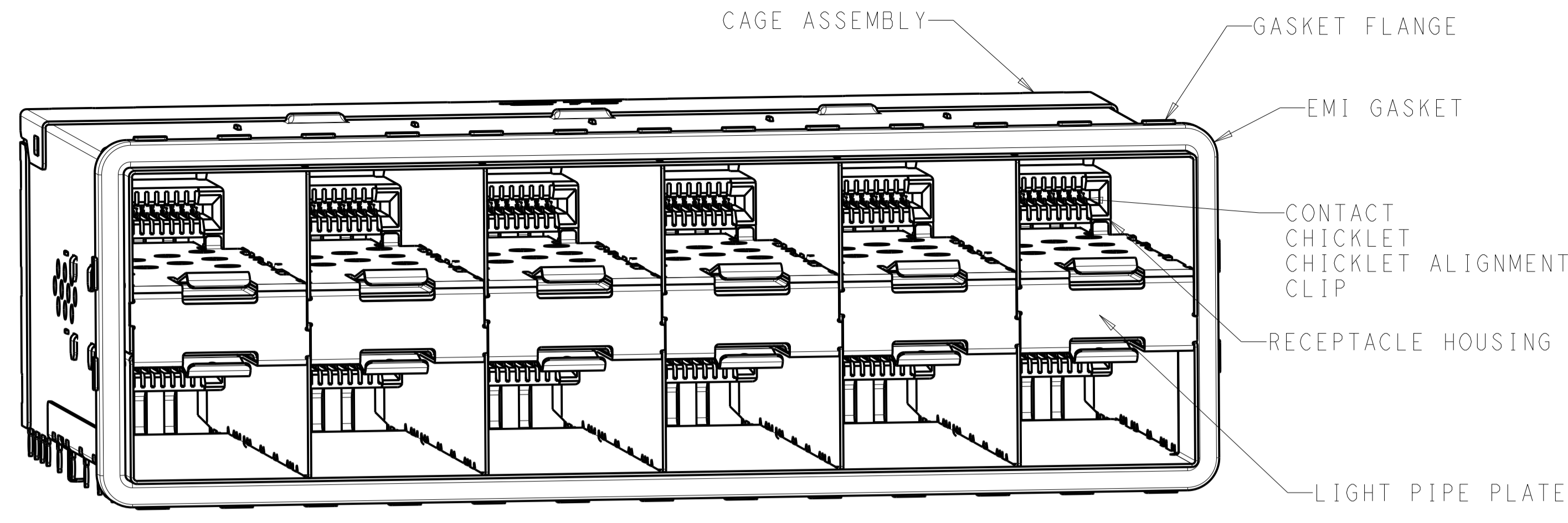


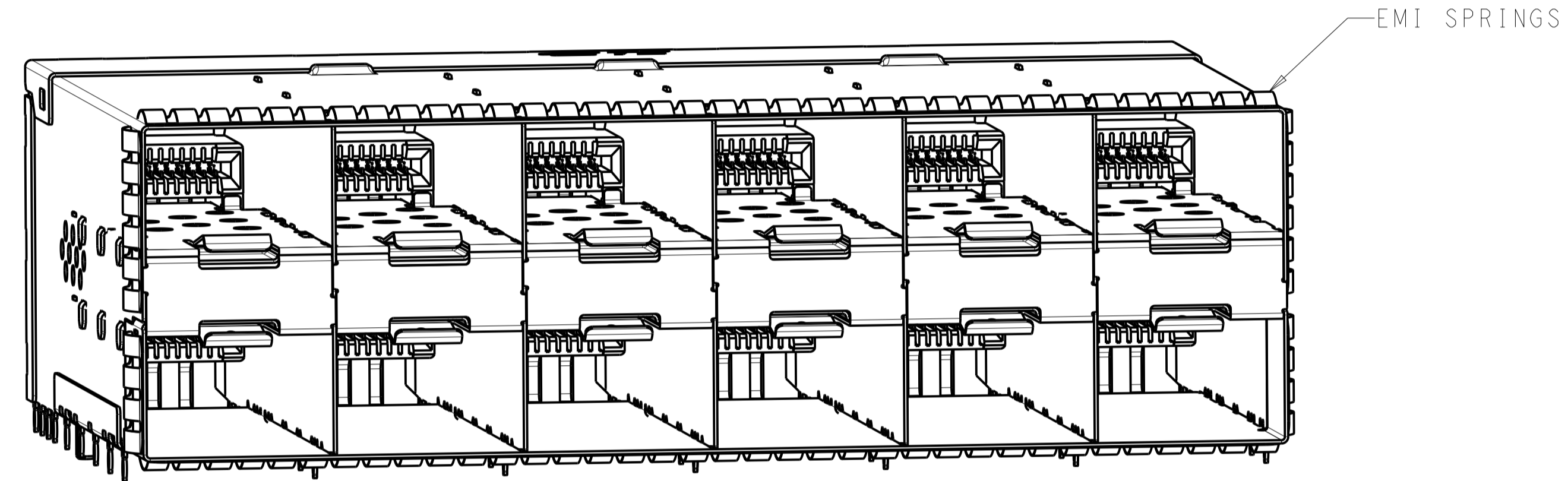
| LOC | DIST | REVISIONS | | | |
|-----|------|-----------|-----------|----|-----|
| GP | 00 | REV | DATE | BY | CHK |
| | | A | 05JUN2019 | JW | SH |
| | | B | 02JUL2020 | JY | SH |



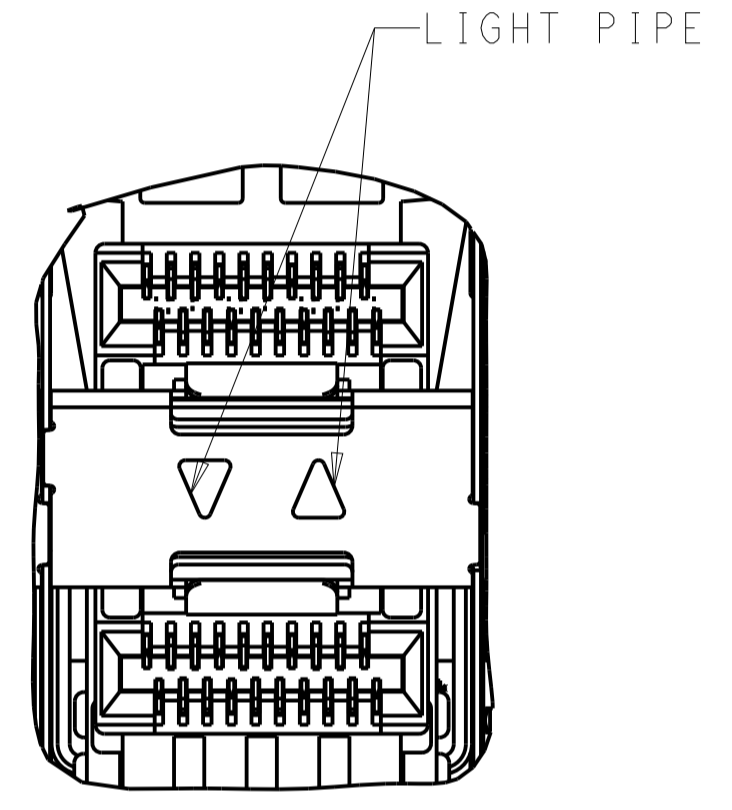
2347721-1
SCALE 3:1

1. MATERIALS:
 CAGE ASSEMBLY - NICKEL-SILVER ALLOY PER ASTM B 122
 CONNECTOR HOUSING - LCP, BLACK, UL 94V-0 RATED
 CHICKLET - LCP, BLACK, UL 94V-0 RATED
 CHICKLET ALIGNMENT CLIP - LCP, BLACK, UL 94V-0 RATED
 CONTACT - COPPER ALLOY
 EMI GASKET - ELASTOMERIC
 GASKET FLANGE - STAINLESS STEEL
 EMI SPRINGS - PHOSPHOR BRONZE PER ASTM B 103,
 0.8µm MIN TIN PER ASTM B 545
 LIGHT PIPE - POLYCARBONATE
 LIGHT PIPE PLATE - STAINLESS STEEL
2. CONTACT FINISH:
 CONFORMS TO THE REQUIREMENTS OF PRODUCT SPECIFICATION 108-2481, BASED ON EIA/ECA-364-1000.01A, (CONTROLLED ENVIRONMENT APPLICATIONS) ON MATING INTERFACE, TIN ON NEEDLE EYE
3. PCB MINIMUM THICKNESS = 1.5mm

- △ FOR HOLE SIZE AND PLATINGS, SEE APPLICATION SPECIFICATION 114-13319
- △ LIGHT PIPE PAD LAYOUT IS FOR 0805 LOW PROFILE LED PACKAGE WITH A HEIGHT OF 0.8mm
- △ DIMENSIONS APPLY FOR EMI SPRINGS ONLY
- △ THE ENTIRE AREA OF THE CONNECTOR FOOTPRINT, INDICATED BY THE DASHED LINE, TO BE CONSIDERED THE KEEP-OUT AREA FOR COMPONENTS AND SIGNAL TRACES, TOP SIDE ONLY, TOP SIDE TRACES ALLOWED WITHIN CONNECTOR HOLE PATTERN

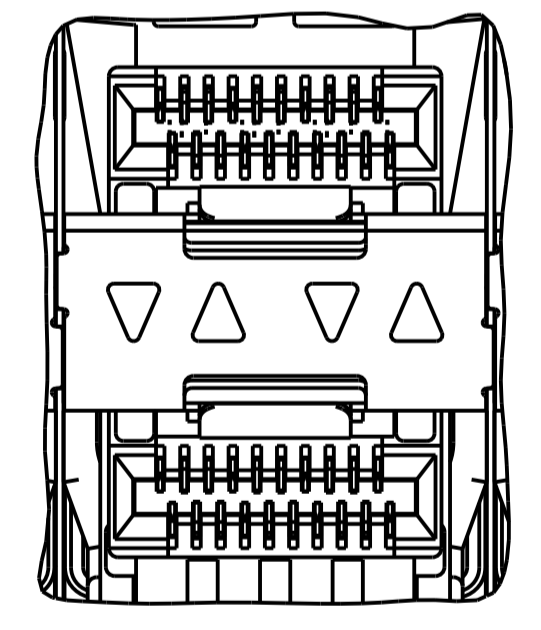


2347721-5
SCALE 3:1

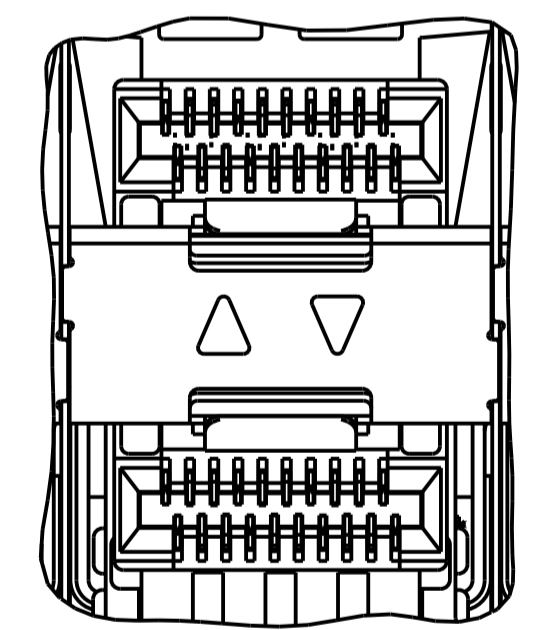


REVERSED INNER LIGHT PIPES
2-2347721-1, 1-2347721-3
SCALE 4:1

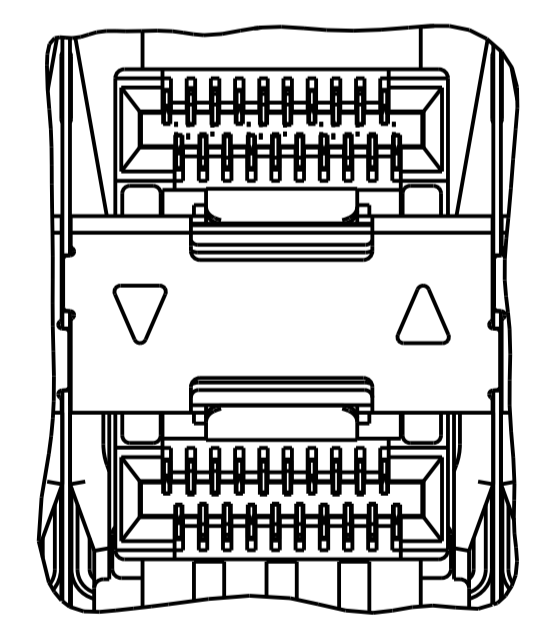
| | | | |
|-------|--------------------------------------|--------------------------|-------------|
| 88 | EMI SPRING AIRFLOW ENHANCE TYPE | REVERSED OUTER | 3-2347721-3 |
| 88 | EMI SPRING AIRFLOW ENHANCE TYPE | NONE | 3-2347721-1 |
| 90.75 | EMI GASKET AIRFLOW ENHANCE TYPE | NONE | 3-2347721-0 |
| 88 | EMI SPRINGS | REVERSED INNER | 2-2347721-1 |
| | | REVERSED OUTER | 2-2347721-0 |
| | | CENTER/REVERSED OUTER | 1-2347721-9 |
| 90.75 | EMI GASKET | REVERSED OUTER | 1-2347721-8 |
| | | CENTER/REVERSED OUTER | 1-2347721-7 |
| 88 | EMI SPRINGS WITH NICKEL PLATING ONLY | REVERSED INNER | 1-2347721-3 |
| | | OUTER | 1-2347721-2 |
| | | INNER | 1-2347721-1 |
| | | INNER/OUTER | 1-2347721-0 |
| | | NONE | 2347721-9 |
| 88 | EMI SPRINGS | OUTER | 2347721-8 |
| | | INNER | 2347721-7 |
| | | INNER/OUTER | 2347721-6 |
| | | NONE | 2347721-5 |
| 90.75 | EMI GASKET | OUTER | 2347721-4 |
| | | INNER | 2347721-3 |
| | | INNER/OUTER | 2347721-2 |
| (E) | CAGE TYPE | OUTER | 2347721-4 |
| | | INNER | 2347721-3 |
| | | INNER/OUTER | 2347721-2 |
| | | NONE | 2347721-1 |
| | | LIGHT PIPE CONFIGURATION | PART NUMBER |



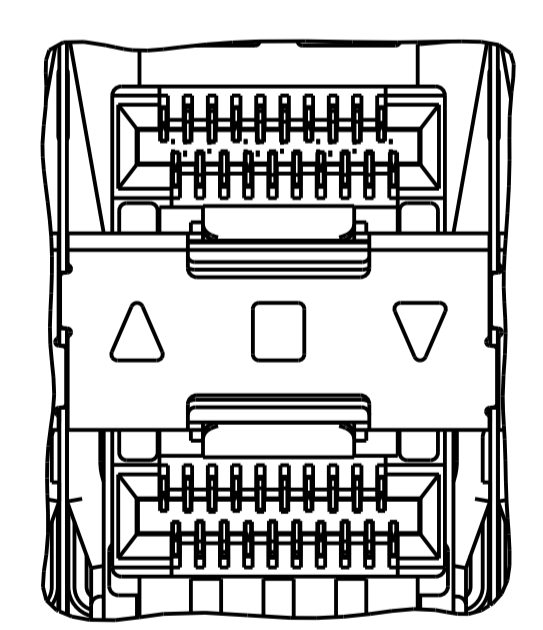
INNER/OUTER LIGHT PIPES
2347721-2, 2347721-6
SCALE 4:1



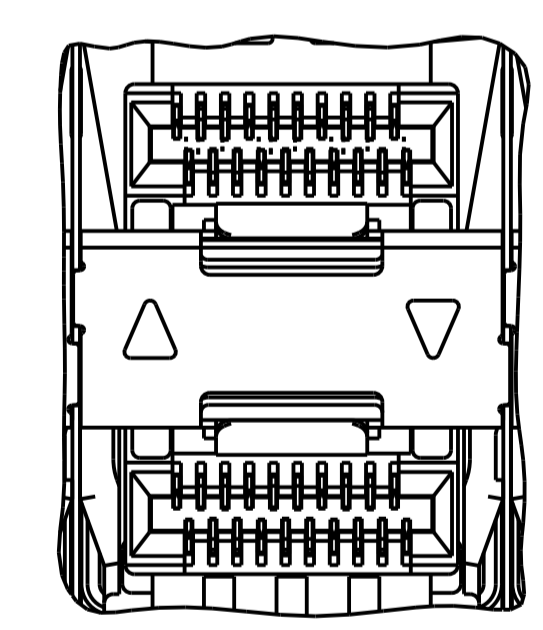
INNER LIGHT PIPES
2347721-3, 2347721-7
SCALE 4:1



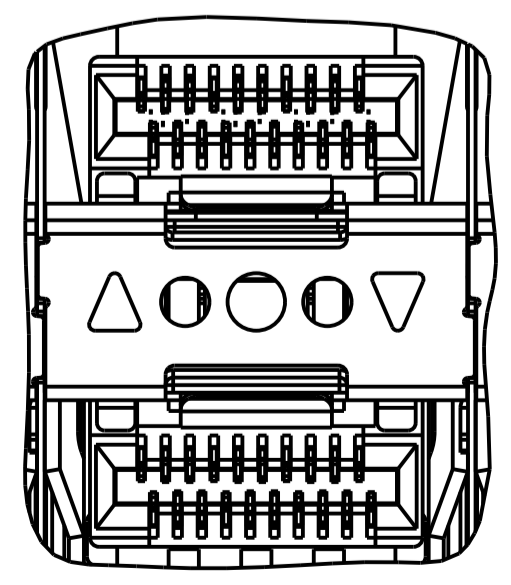
OUTER LIGHT PIPES
2347721-4, 2347721-8
SCALE 4:1



CENTER/REVERSED OUTER
1-2347721-7, 1-2347721-9
SCALE 4:1



REVERSED OUTER LIGHT PIPE
1-2347721-8, 2-2347721-0
SCALE 4:1



REVERSED OUTER LIGHT PIPE
3-2347721-3
SCALE 4:1

THIS DRAWING IS A CONTROLLED DOCUMENT.

| | | | | |
|-------------|--|------------------|---------|-----------|
| DIMENSIONS: | TOLERANCES UNLESS OTHERWISE SPECIFIED: | OWN | J. WANG | 26FEB2019 |
| mm | 0 PLC ±0.25 | CHK | S. HAN | 26FEB2019 |
| | 1 PLC ±0.25 | APVD | S. HAN | 26FEB2019 |
| | 2 PLC ±0.25 | PRODUCT SPEC | | |
| | 3 PLC ±0.25 | 108-2481 | | |
| | 4 PLC ±0.25 | APPLICATION SPEC | | |
| | ANGLES ±° | 114-13319 | | |
| MATERIAL | FINISH | WEIGHT | | |
| SEE NOTES | SEE NOTES | | | |

STE TE Connectivity

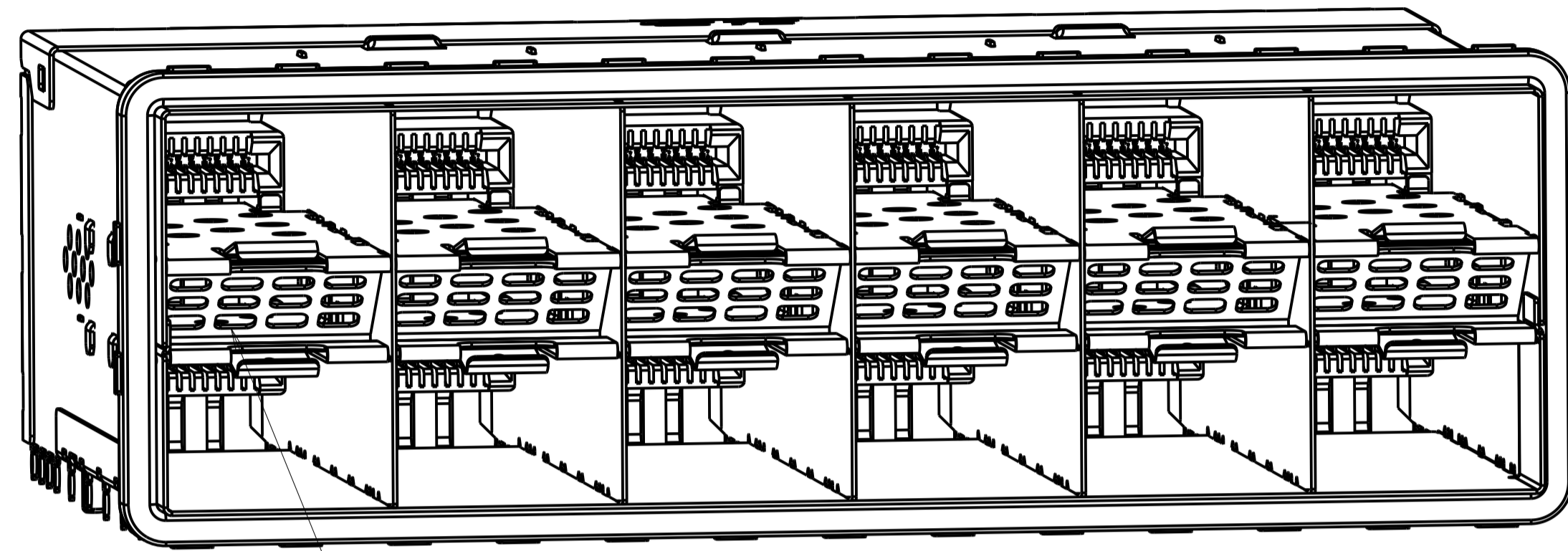
NAME: RECEPTACLE ASSEMBLY, 2X6, STACKED, SFP56

SIZE: CAGE CODE DRAWING NO. RESTRICTED TO

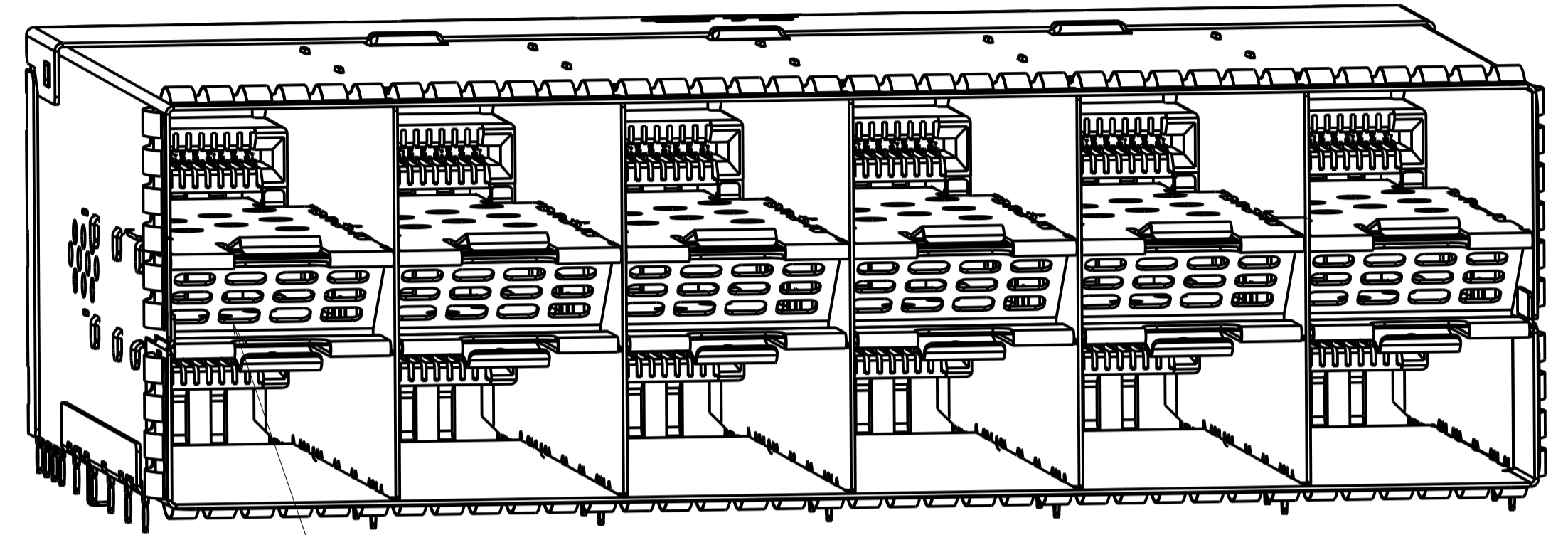
A100779C=2347721

CUSTOMER DRAWING SCALE: 1:1 SHEET 1 OF 7 REV B

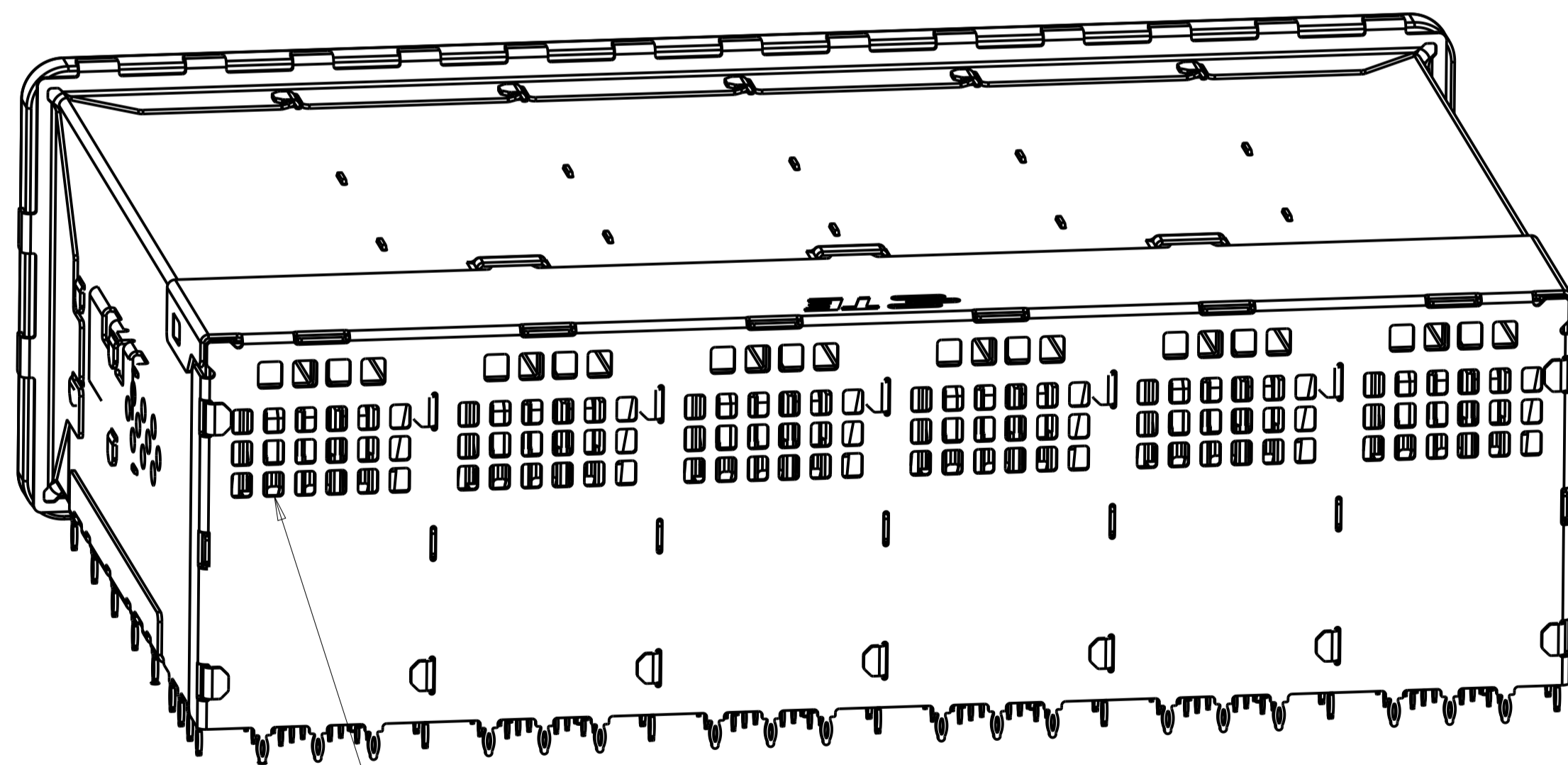
AIRFOLW ENHANCE TYPE



AIR VENTS

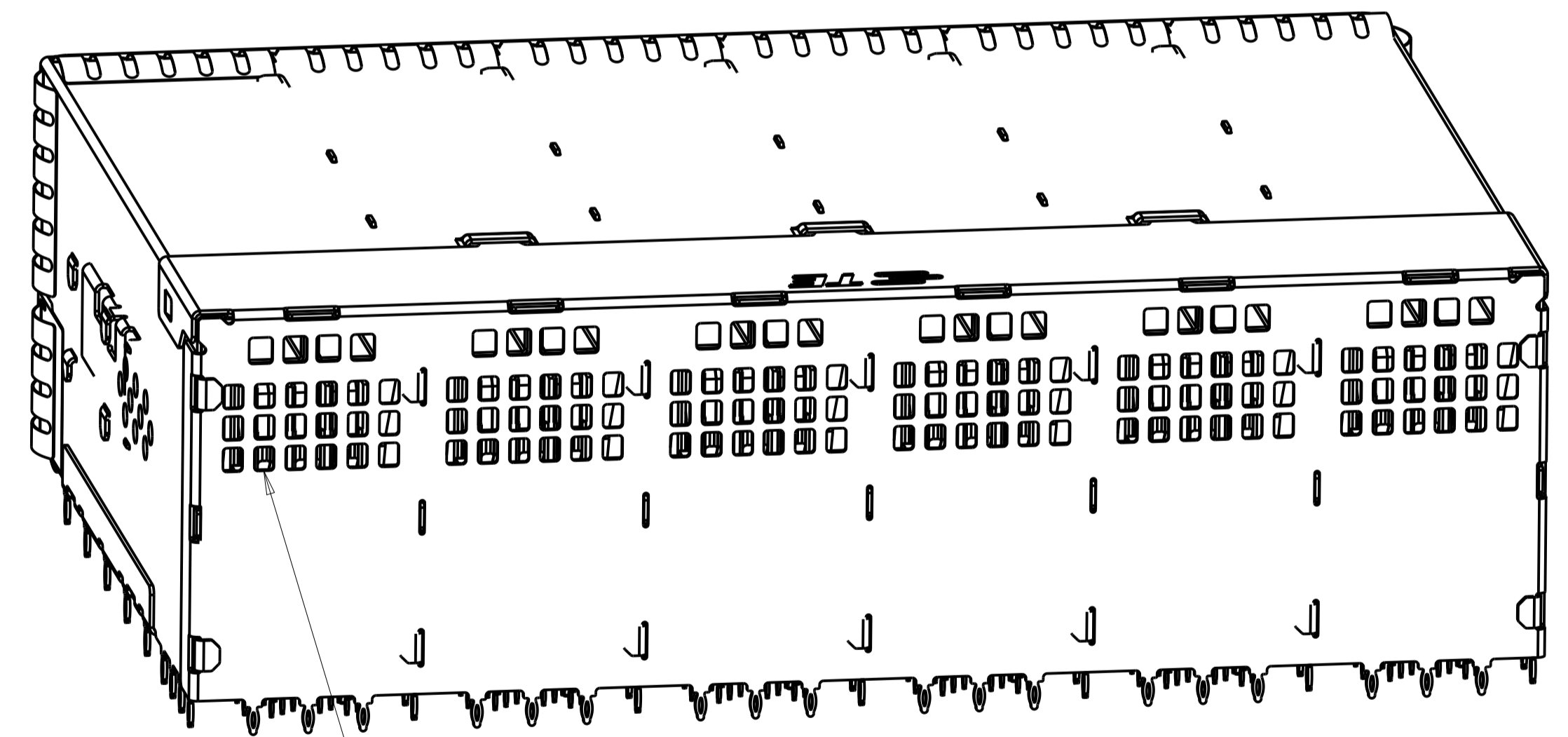


AIR VENTS



AIR VENTS

3-2347721-0
EMI GASKET TYPE



AIR VENTS

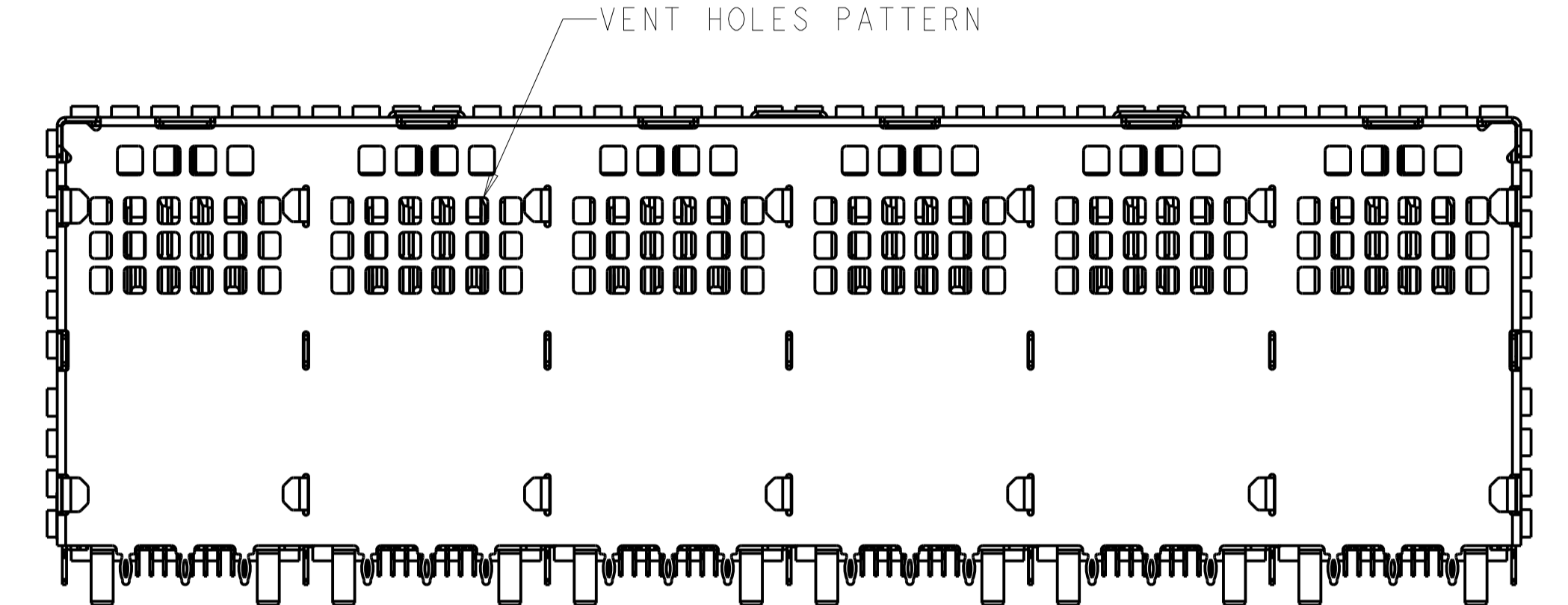
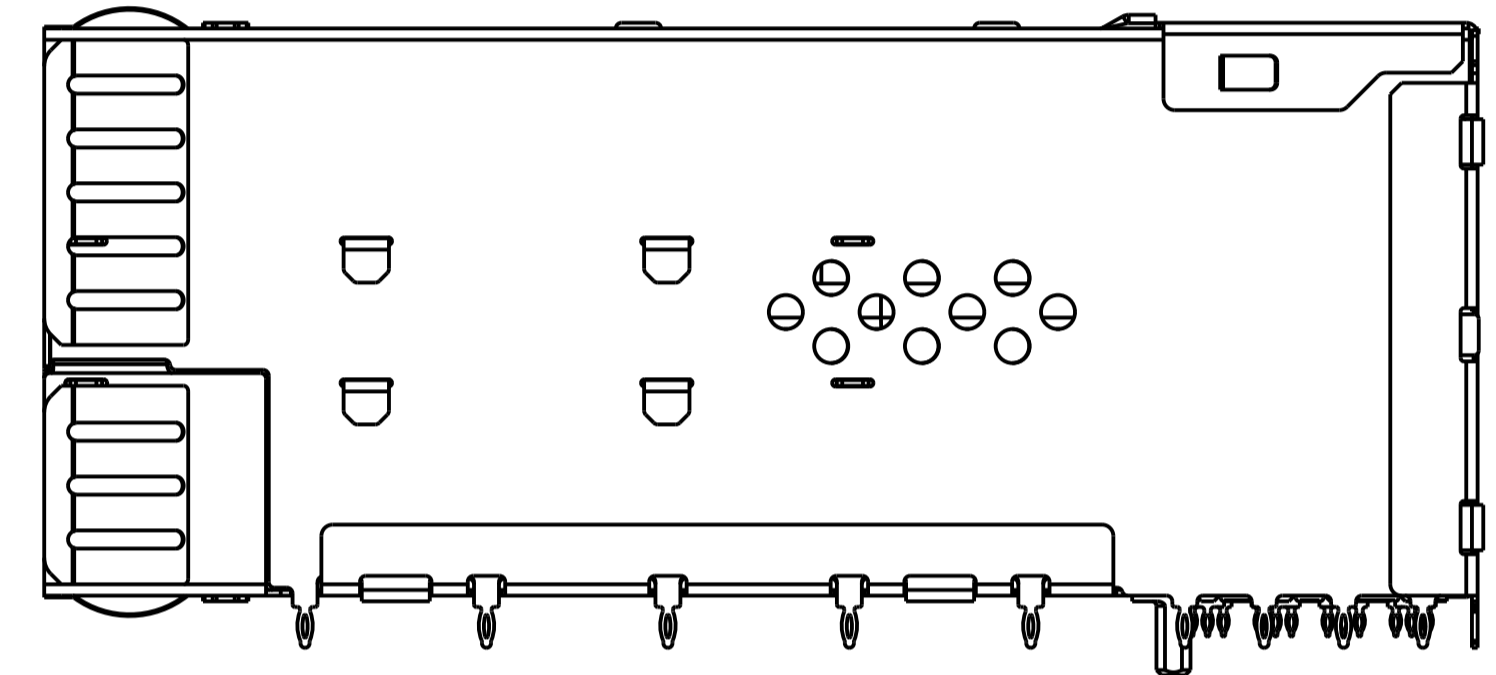
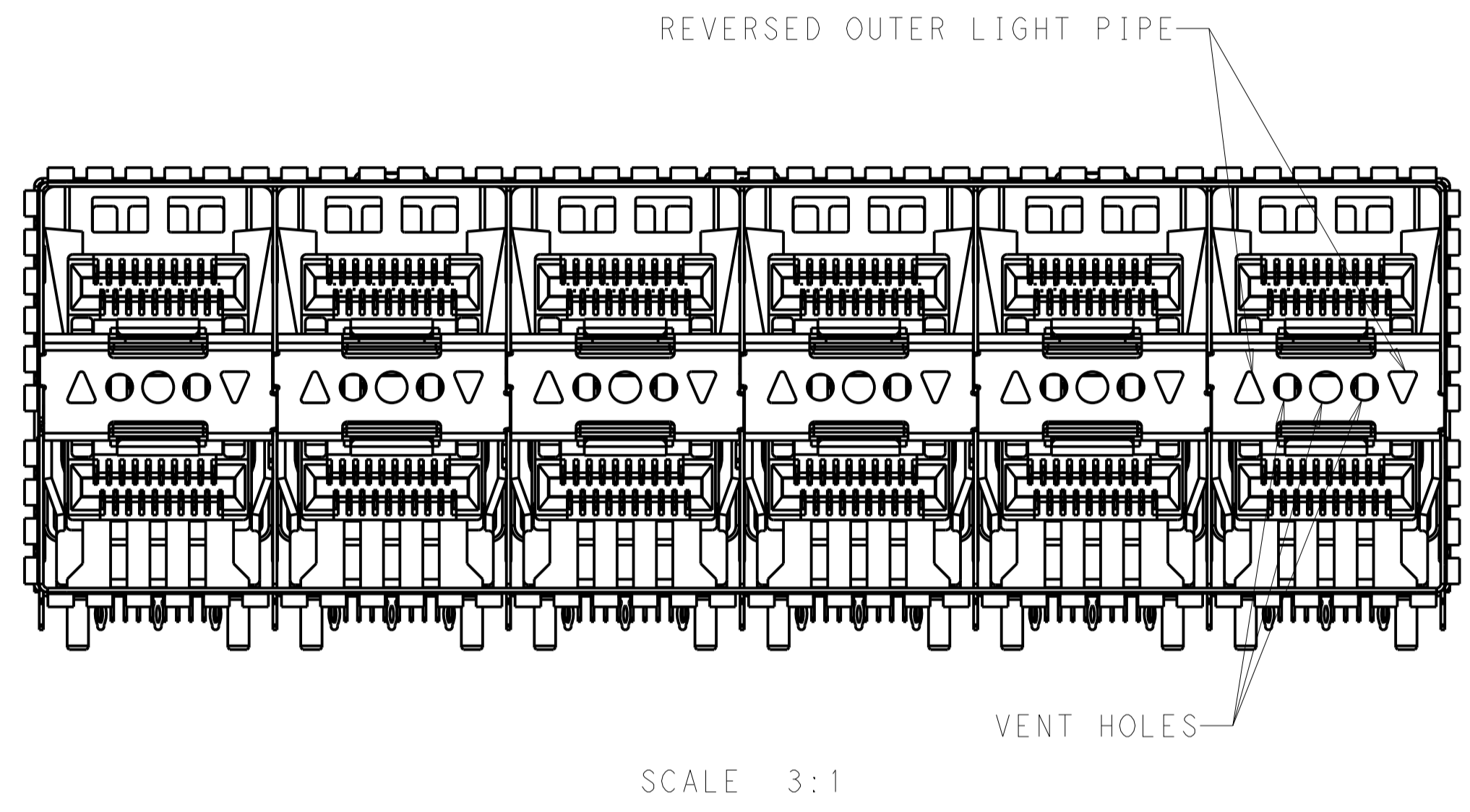
3-2347721-1
EMI SPRING TYPE

| LOC | DIST | REVISIONS | | | |
|-----|------|-----------|-------------|----|------|
| GP | 00 | REV | DATE | BY | APPV |
| | | - | SEE SHEET 1 | | |

| | | | |
|--|-------------------|----------------------------|--|
| THIS DRAWING IS A CONTROLLED DOCUMENT. | | OWN: J. WANG 26FEB2019 | TE Connectivity |
| DIMENSIONS: mm | | CHK: S. HAN 26FEB2019 | |
| TOLERANCES UNLESS OTHERWISE SPECIFIED: | | APVD: S. HAN 26FEB2019 | NAME: RECEPTACLE ASSEMBLY, 2X6, STACKED, SFP56 |
| 0 PLC ±0.25 | 1 PLC ±0.25 | PRODUCT SPEC 108-2481 | SIZE: A1 |
| 2 PLC ±0.25 | 3 PLC ±0.25 | APPLICATION SPEC 114-13319 | CAGE CODE: 00779 |
| 4 PLC ±0.25 | ANGLES ±° | WEIGHT | DRAWING NO: 2347721 |
| MATERIAL: SEE NOTES | FINISH: SEE NOTES | CUSTOMER DRAWING | SCALE: 1:1 |
| | | SHEET 2 OF 7 | |
| | | REV B | |

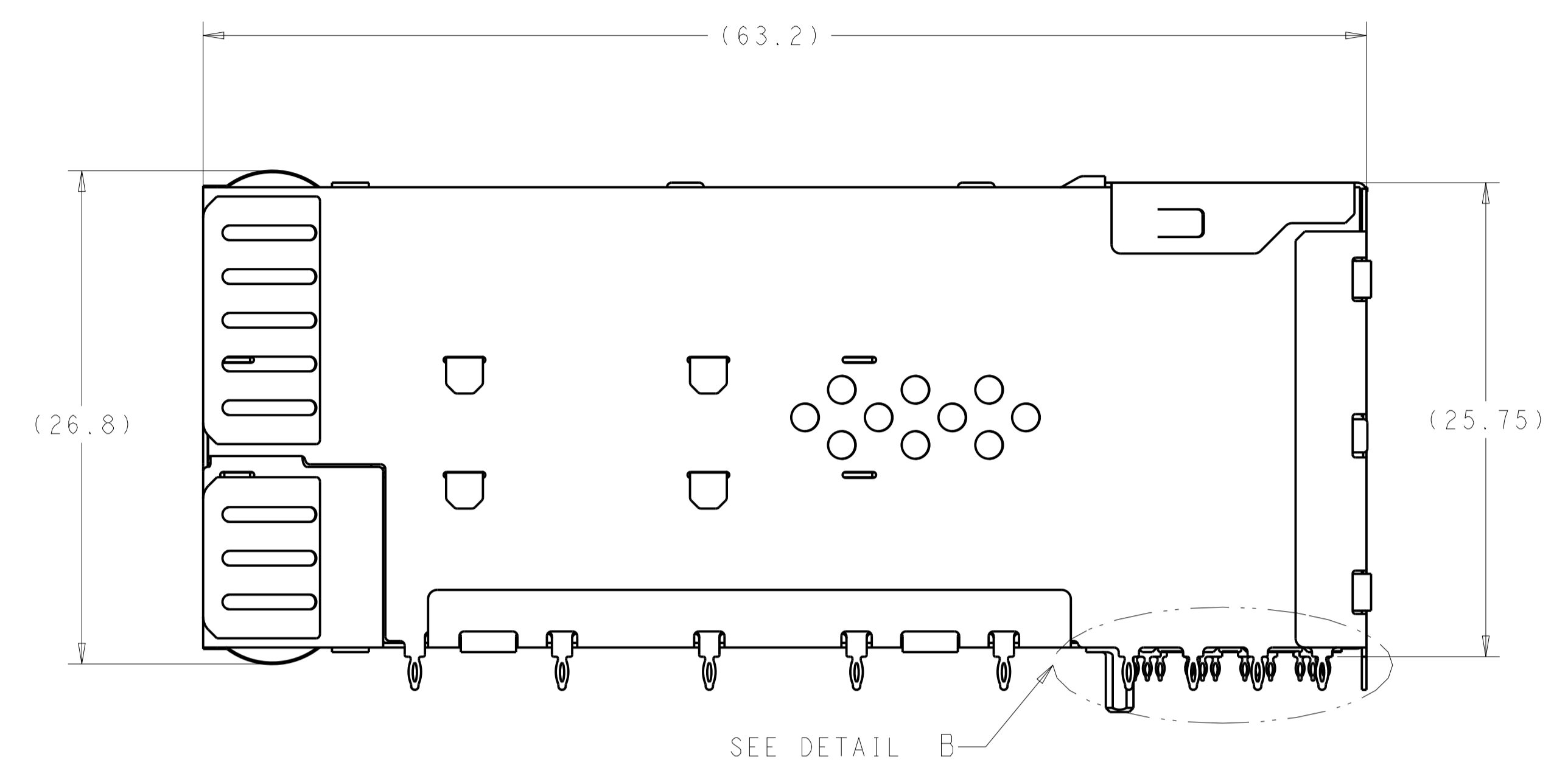
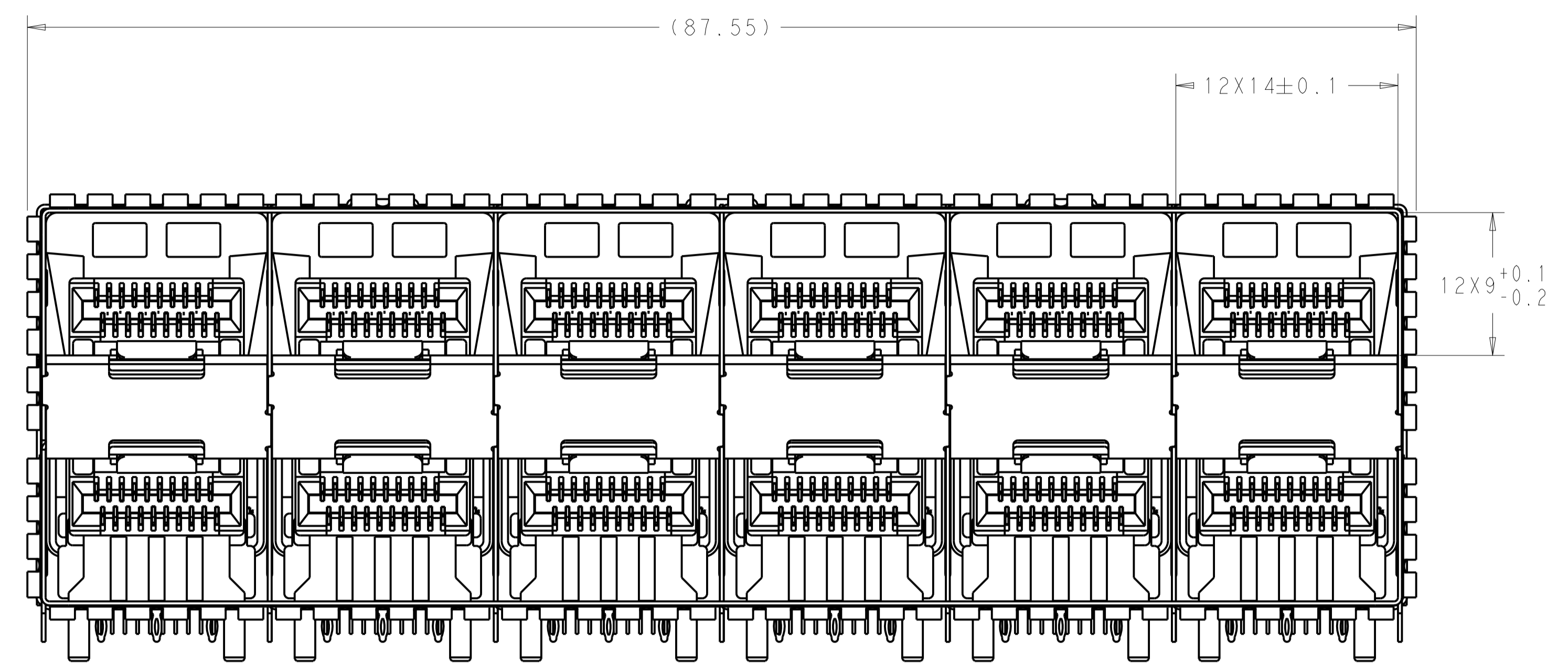
| LOC | DIST | REVISIONS | | | |
|-----|-------------|-----------|------|----|------|
| GP | 00 | REV | DATE | BY | APPV |
| - | SEE SHEET 1 | - | - | - | - |

3-2347721-3 AIR FLOW ENHANCED VERSION UNMARKED DIMENSION SAME AS 2347721-5

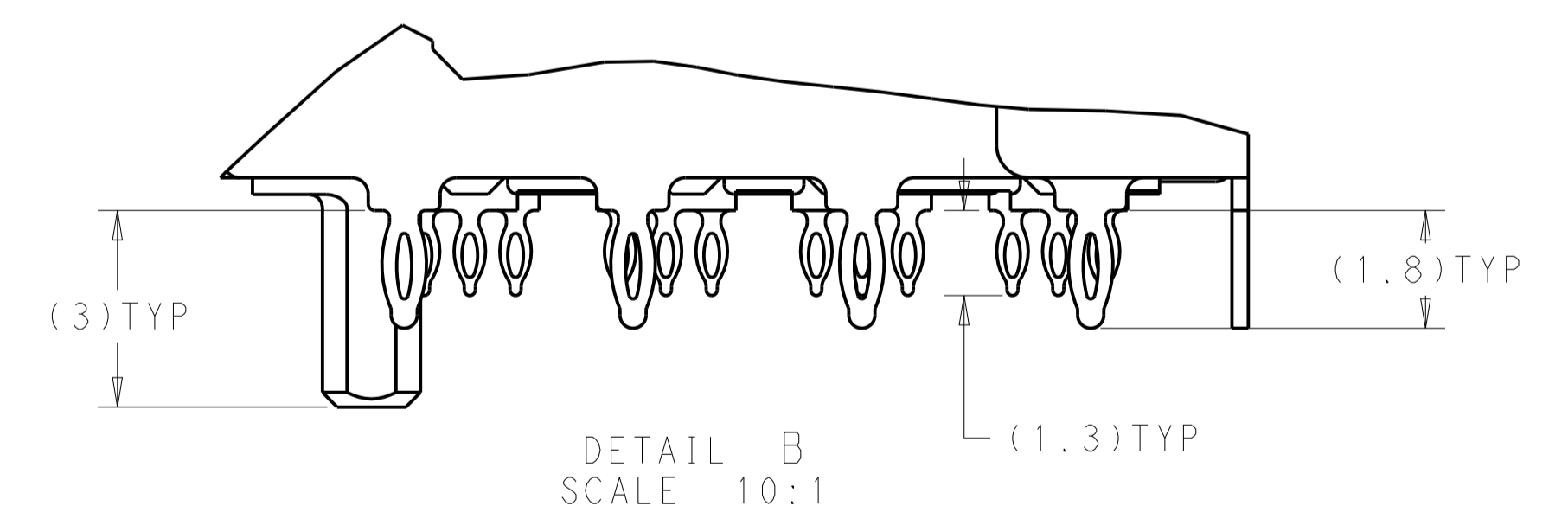
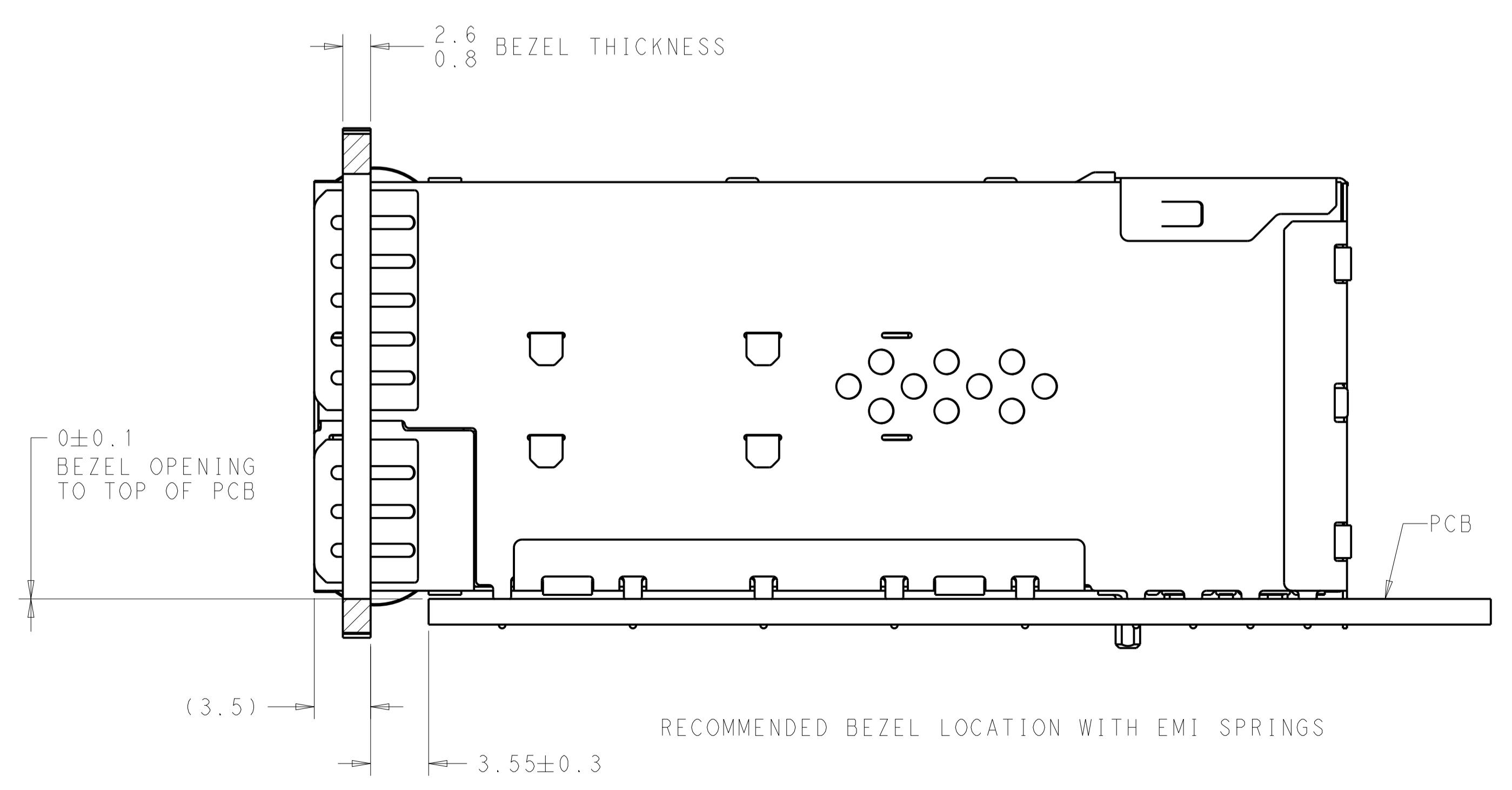


| | | | |
|--|--|---|--|
| THIS DRAWING IS A CONTROLLED DOCUMENT. | | DWN J. WANG 26FEB2019 | TE Connectivity |
| DIMENSIONS: mm | | CHK S. HAN 26FEB2019 | |
| TOLERANCES UNLESS OTHERWISE SPECIFIED: 0 PLC ±0.25 1 PLC ±0.25 2 PLC ±0.25 3 PLC ±0.25 4 PLC ±0.25 ANGLES ±° | | APV S. HAN 26FEB2019 | NAME RECEPTACLE ASSEMBLY, 2X6, STACKED, SFP56 |
| MATERIAL SEE NOTES | | FINISH SEE NOTES | PRODUCT SPEC 108-2481 APPLICATION SPEC 114-13319 WEIGHT - CUSTOMER DRAWING |
| DIMENSIONS: mm | | SIZE A100779 CAGE CODE C=2347721 SCALE 1:1 | RESTRICTED TO - SHEET 3 OF 7 REV B |

| LOC | DIST | REVISIONS | | | |
|-----|------|-------------|------|----|------|
| | | REV | DATE | BY | APPV |
| GP | 00 | - | - | - | - |
| | | SEE SHEET 1 | | | |

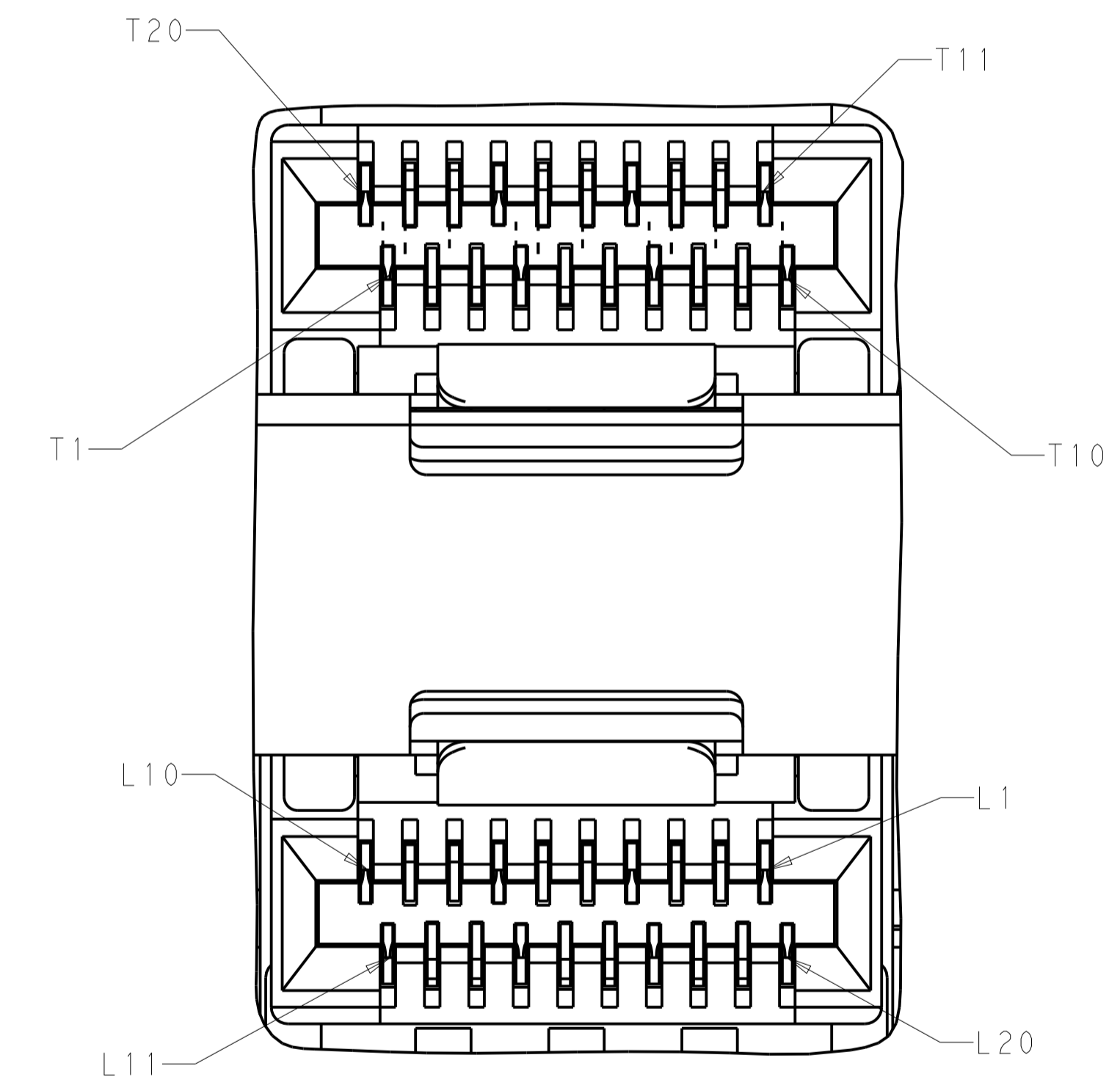
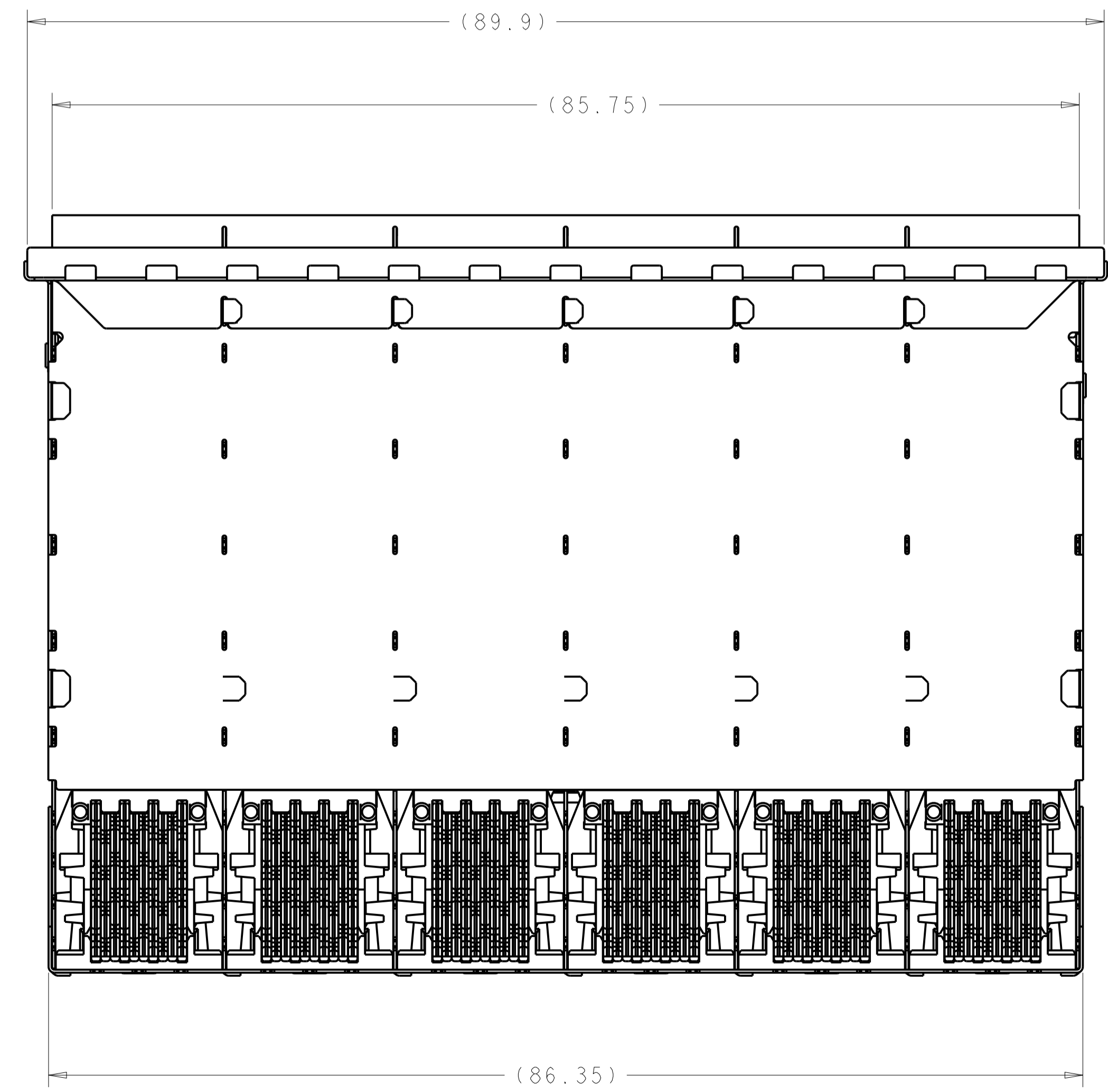
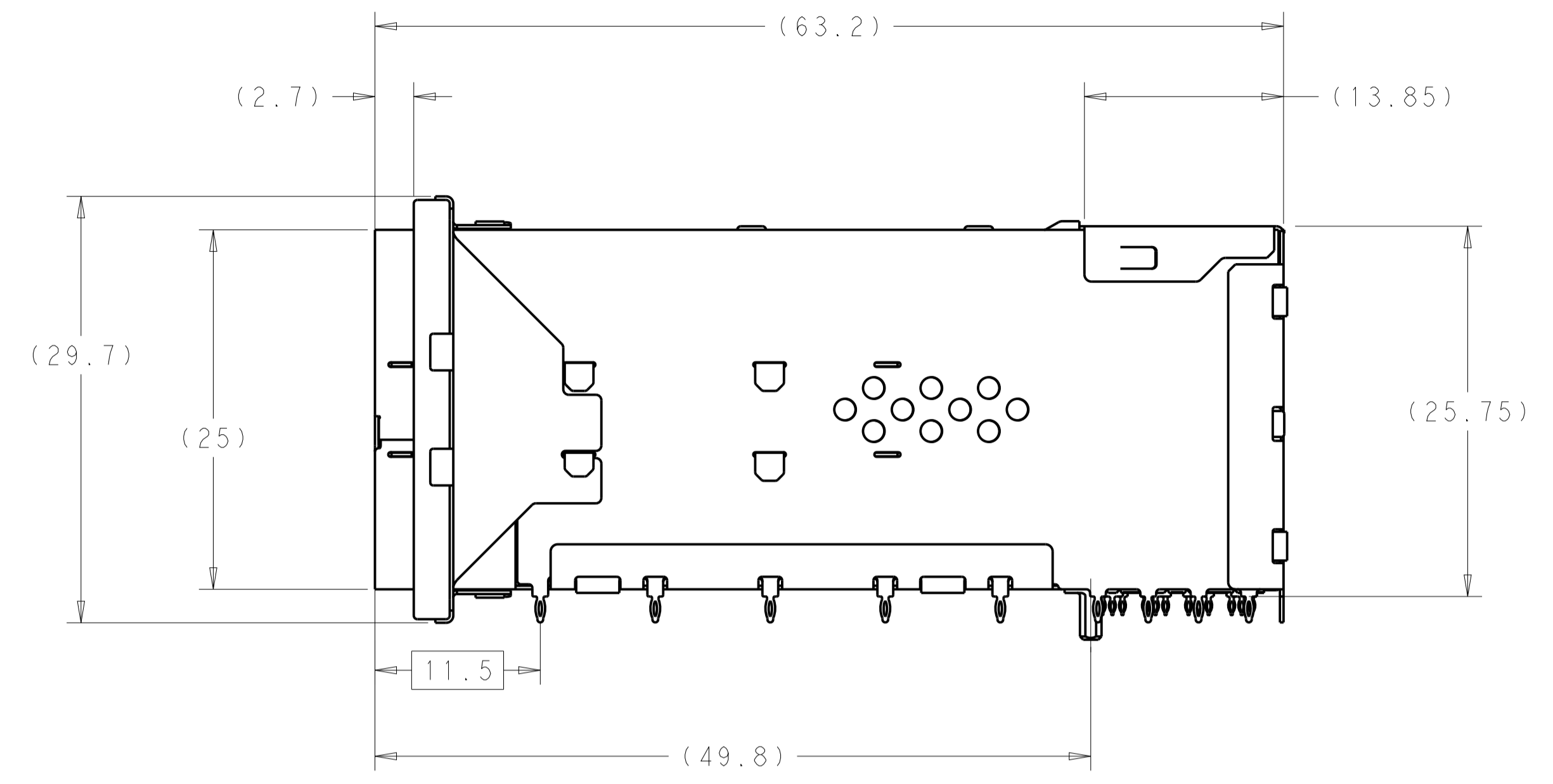
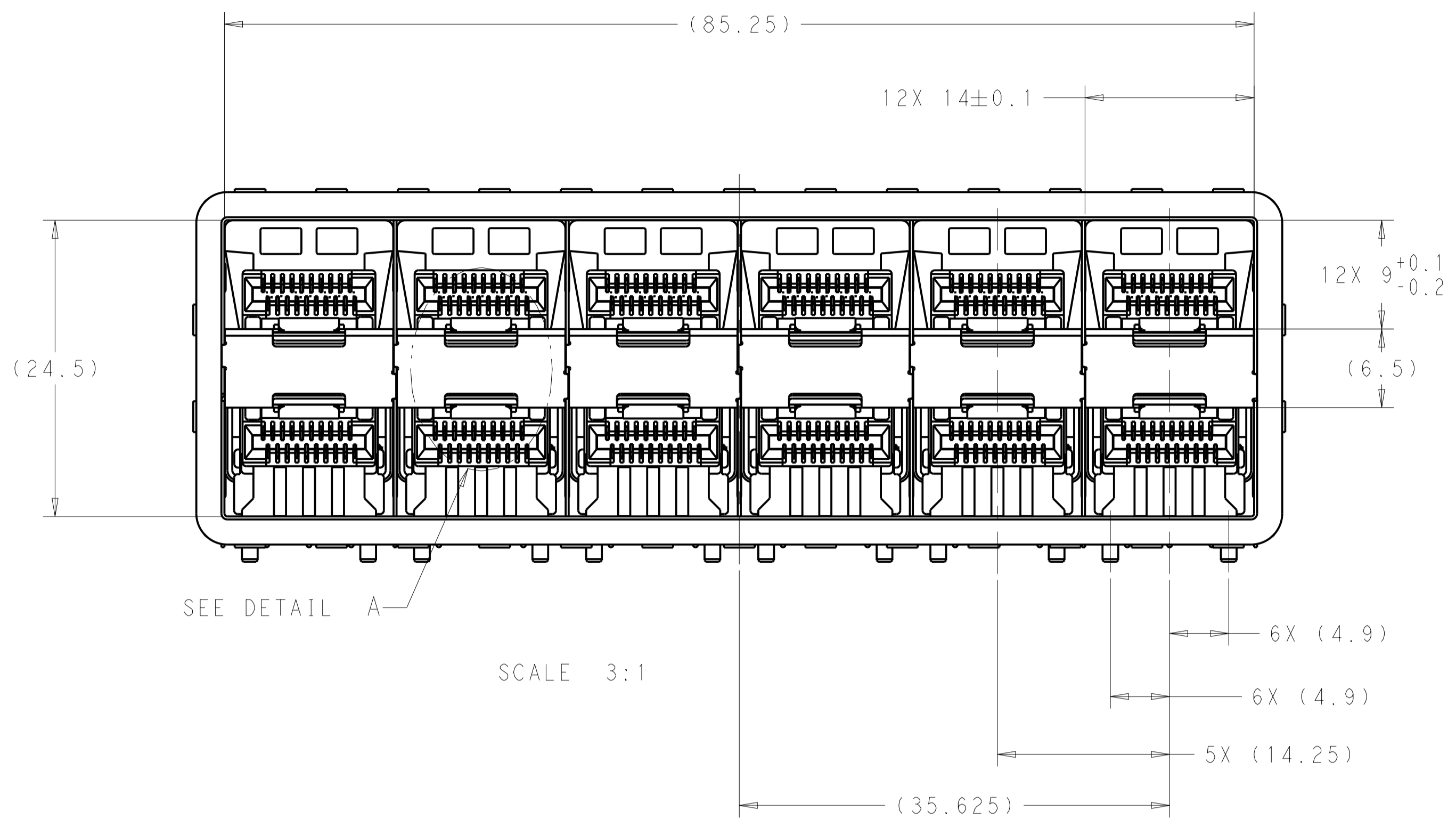


2347721-5 THRU 1-2347721-2, 1-2347721-9, 2-2347721-0, 2-2347721-1
 EMI SPRINGS ONLY
 SCALE 4:1



| | | | |
|--|-------------------|------------------------|--|
| THIS DRAWING IS A CONTROLLED DOCUMENT. | | DWN: J. WANG 26FEB2019 | TE Connectivity |
| DIMENSIONS: mm | | CHK: S. HAN 26FEB2019 | |
| TOLERANCES UNLESS OTHERWISE SPECIFIED: | | APVD: S. HAN 26FEB2019 | NAME: RECEPTACLE ASSEMBLY, 2X6, STACKED, SFP56 |
| 0 PLC | ±0.25 | PRODUCT SPEC | SIZE: CAGE CODE DRAWING NO |
| 1 PLC | ±0.25 | 108-2481 | RESTRICTED TO |
| 2 PLC | ±0.25 | APPLICATION SPEC | A100779C=2347721 |
| 3 PLC | ±0.25 | 114-13319 | SCALE 1:1 SHEET 4 OF 7 REV B |
| 4 PLC | ±0.25 | WEIGHT | |
| ANGLES | ±4° | CUSTOMER DRAWING | |
| MATERIAL: SEE NOTES | FINISH: SEE NOTES | | |

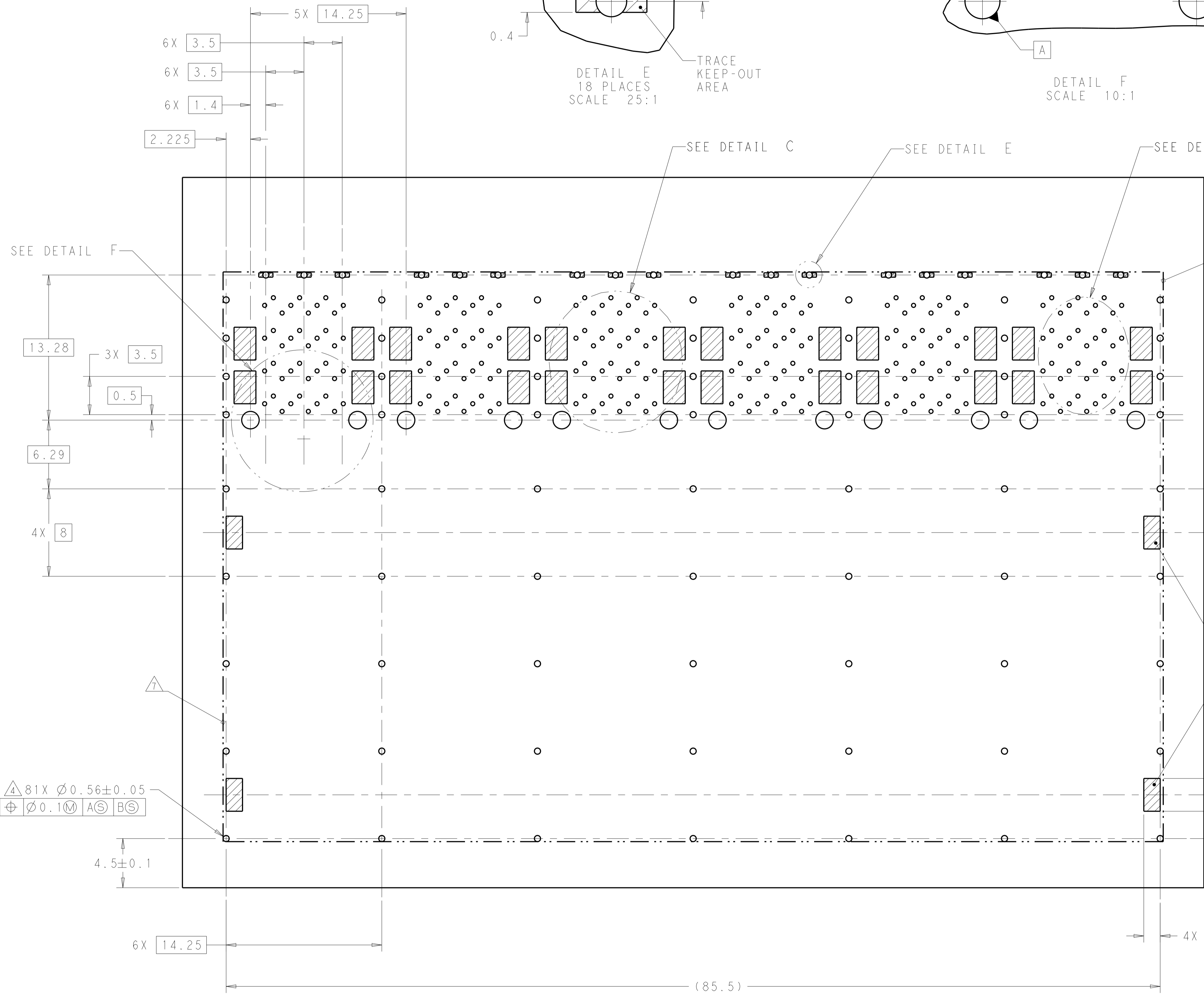
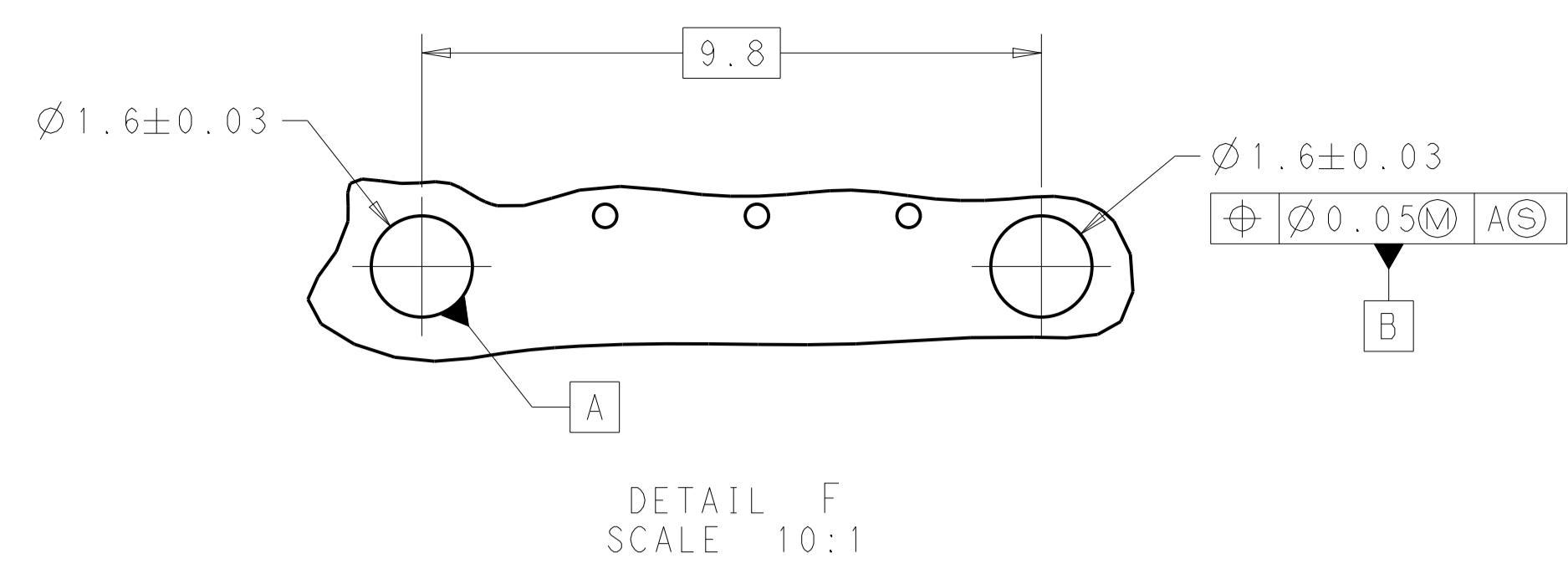
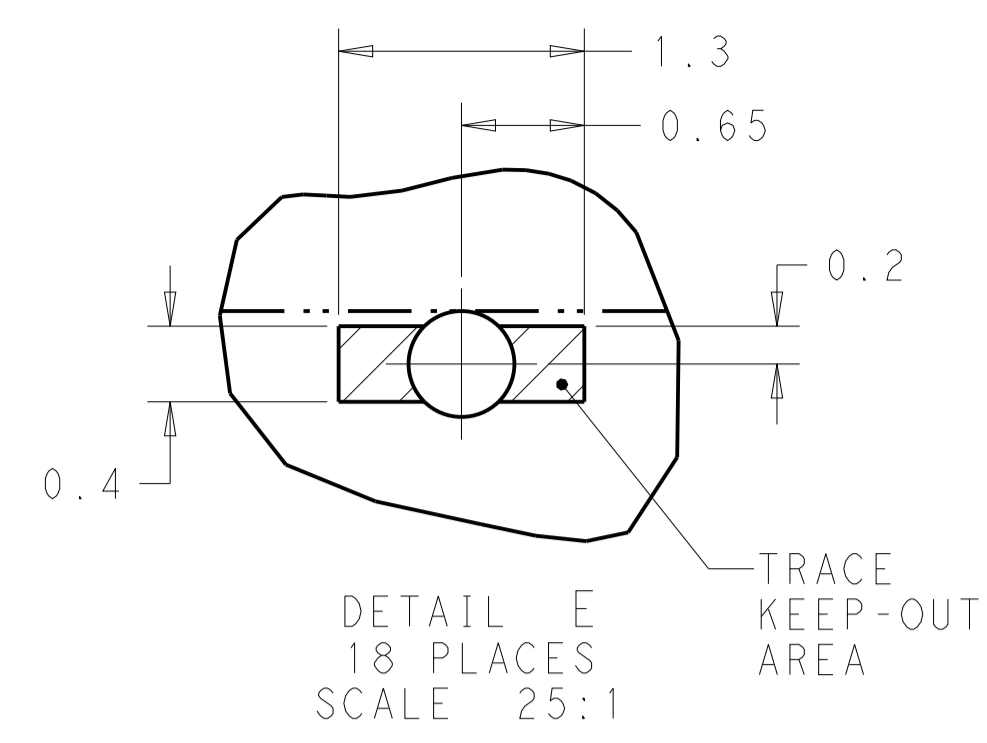
| LOC | | DIST | | REVISIONS | | | |
|-----|----|------|-----|-------------|------|-----|------|
| GP | 00 | P | LTN | DESCRIPTION | DATE | DWN | APVD |
| | | - | | SEE SHEET 1 | - | - | - |



DETAIL A
 6X INDIVIDUALLY
 SCALE 10:1

| | | | |
|--|--|------------------------|--|
| THIS DRAWING IS A CONTROLLED DOCUMENT. | | DWN: J. WANG 26FEB2019 | TE Connectivity |
| DIMENSIONS: mm | | CHK: S. HAN 26FEB2019 | |
| TOLERANCES UNLESS OTHERWISE SPECIFIED: | | APVD: S. HAN 26FEB2019 | NAME: RECEPTACLE ASSEMBLY, 2X6, STACKED, SFP56 |
| 0 PLC ±0.25 1 PLC ±0.25 2 PLC ±0.25 3 PLC ±0.25 4 PLC ±0.25 ANGLES ±° | | PRODUCT SPEC: 108-2481 | SIZE: A1 |
| MATERIAL: SEE NOTES | | FINISH: SEE NOTES | CAGE CODE: 114-13319 |
| | | WEIGHT: - | DRAWING NO: 2347721 |
| | | CUSTOMER DRAWING | SCALE: 1:1 SHEET 5 OF 7 REV B |

| LOC | DIST | REVISIONS | | | |
|-----|------|-----------|-------------|----|------|
| GP | 00 | REV | DATE | BY | APPV |
| | | 1 | SEE SHEET 1 | | |

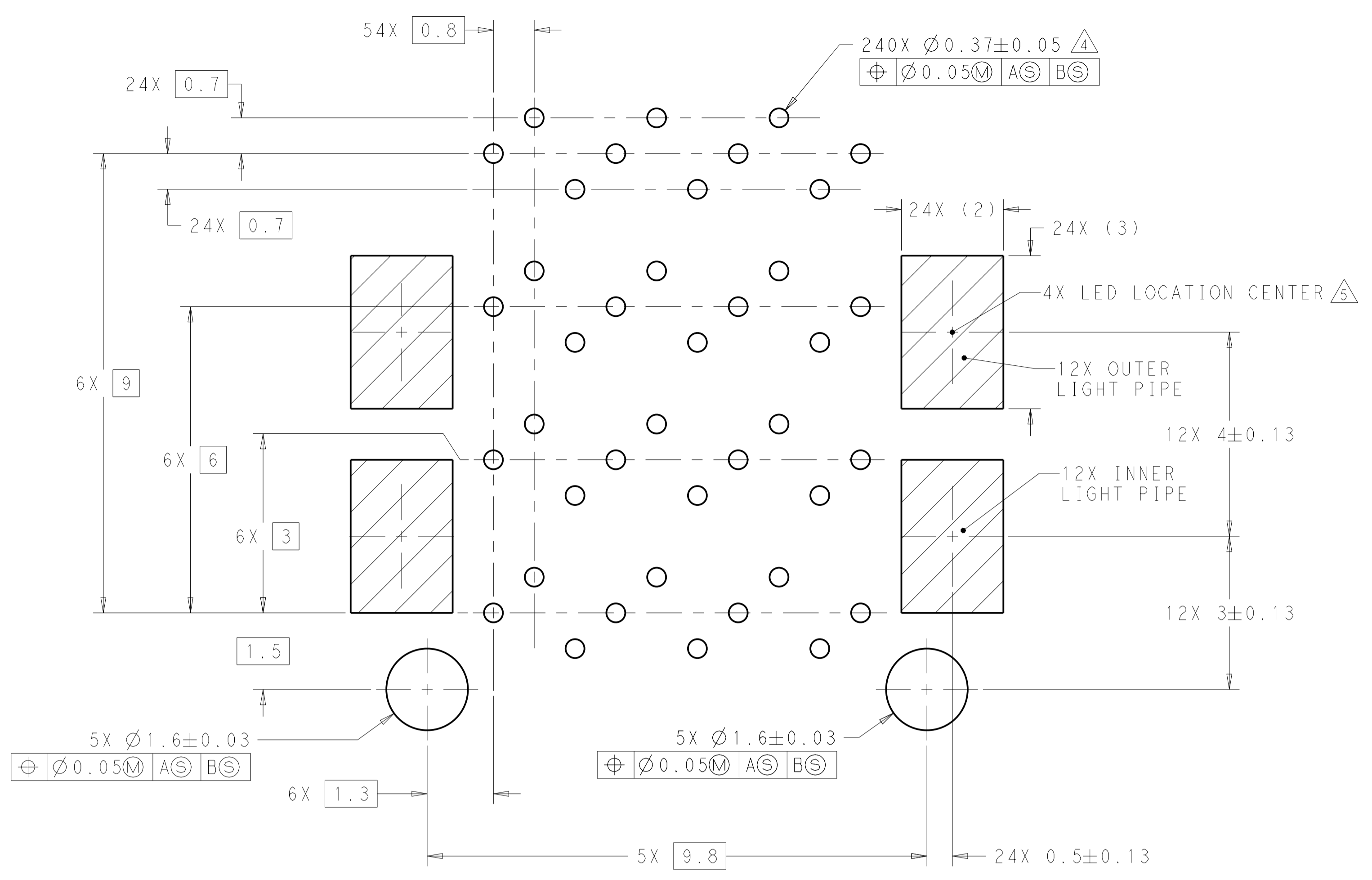


4 81X Ø0.56 ± 0.05
 ⊕ Ø0.1 (M) A(S) B(S)

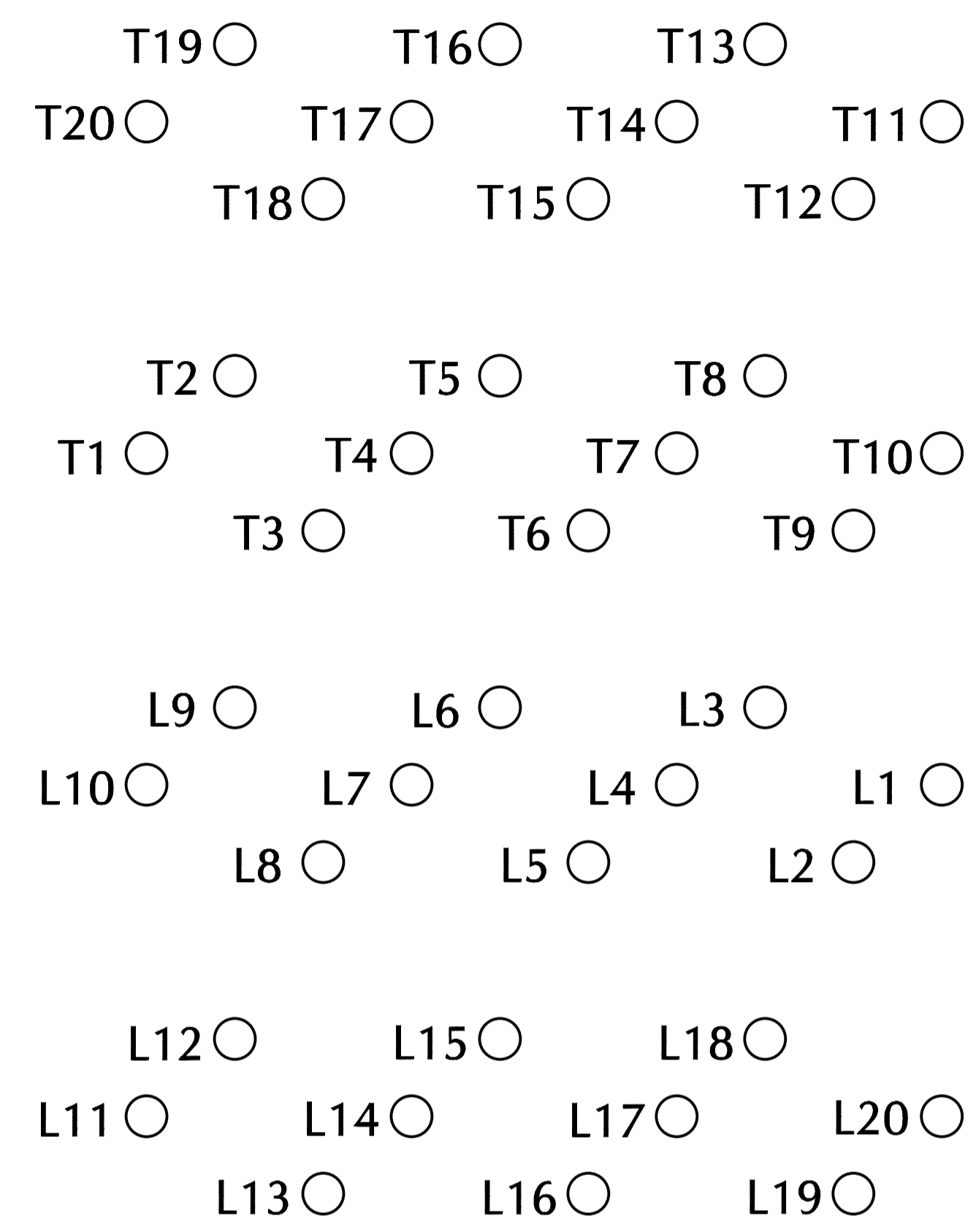
| | | | |
|--|-------------------|-----------------------------|--|
| THIS DRAWING IS A CONTROLLED DOCUMENT. | | OWN: J. WANG 26FEB2019 | TE Connectivity |
| DIMENSIONS: mm | | CHK: S. HAN 26FEB2019 | |
| TOLERANCES UNLESS OTHERWISE SPECIFIED: | | APVD: S. HAN 26FEB2019 | NAME: RECEPTACLE ASSEMBLY, 2X6, STACKED, SFP56 |
| 0 PLC ±0.25 | 1 PLC ±0.25 | PRODUCT SPEC: 108-2481 | SIZE: A1 |
| 2 PLC ±0.25 | 3 PLC ±0.25 | APPLICATION SPEC: 114-13319 | CAGE CODE: 2347721 |
| 4 PLC ±0.25 | ANGLES ±4° | WEIGHT: - | RESTRICTED TO: - |
| MATERIAL: SEE NOTES | FINISH: SEE NOTES | CUSTOMER DRAWING | SCALE: 1:1 SHEET 6 OF 7 REV B |

| LOC | DIST | REV | DATE | BY | APPV |
|-----|------|-----|------|----|------|
| GP | 00 | | | | |

| REVISIONS | | | |
|-----------|-------------|------|----|
| NO. | DESCRIPTION | DATE | BY |
| 1 | SEE SHEET 1 | | |

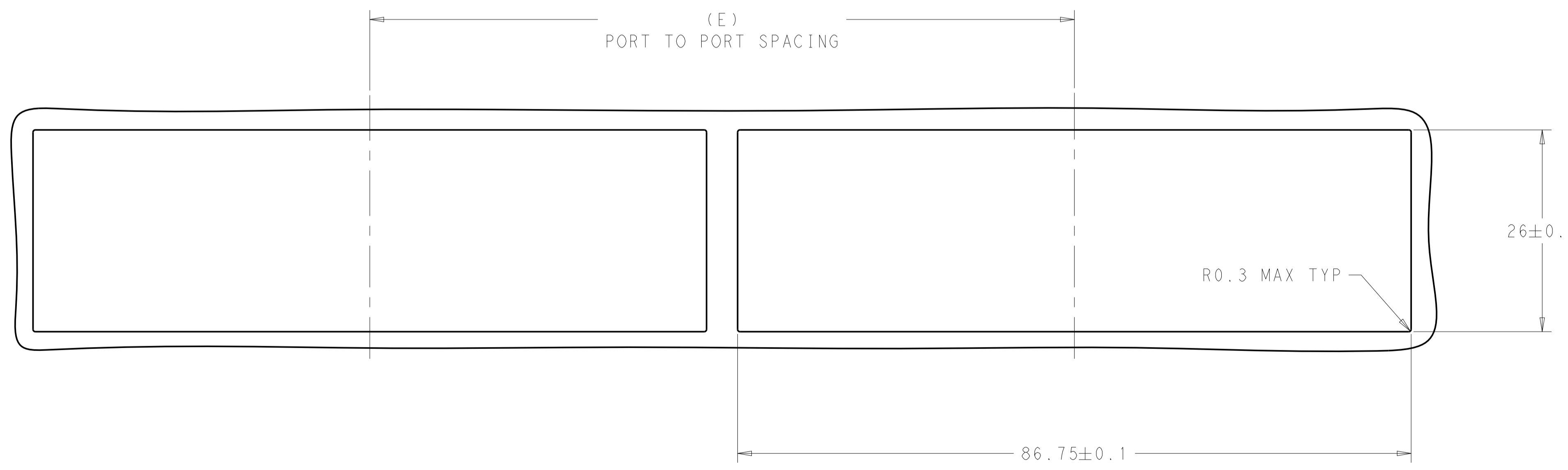


DETAIL C
RECOMMENDED PIN AND LIGHT PIPE LAYOUT
SCALE 15:1

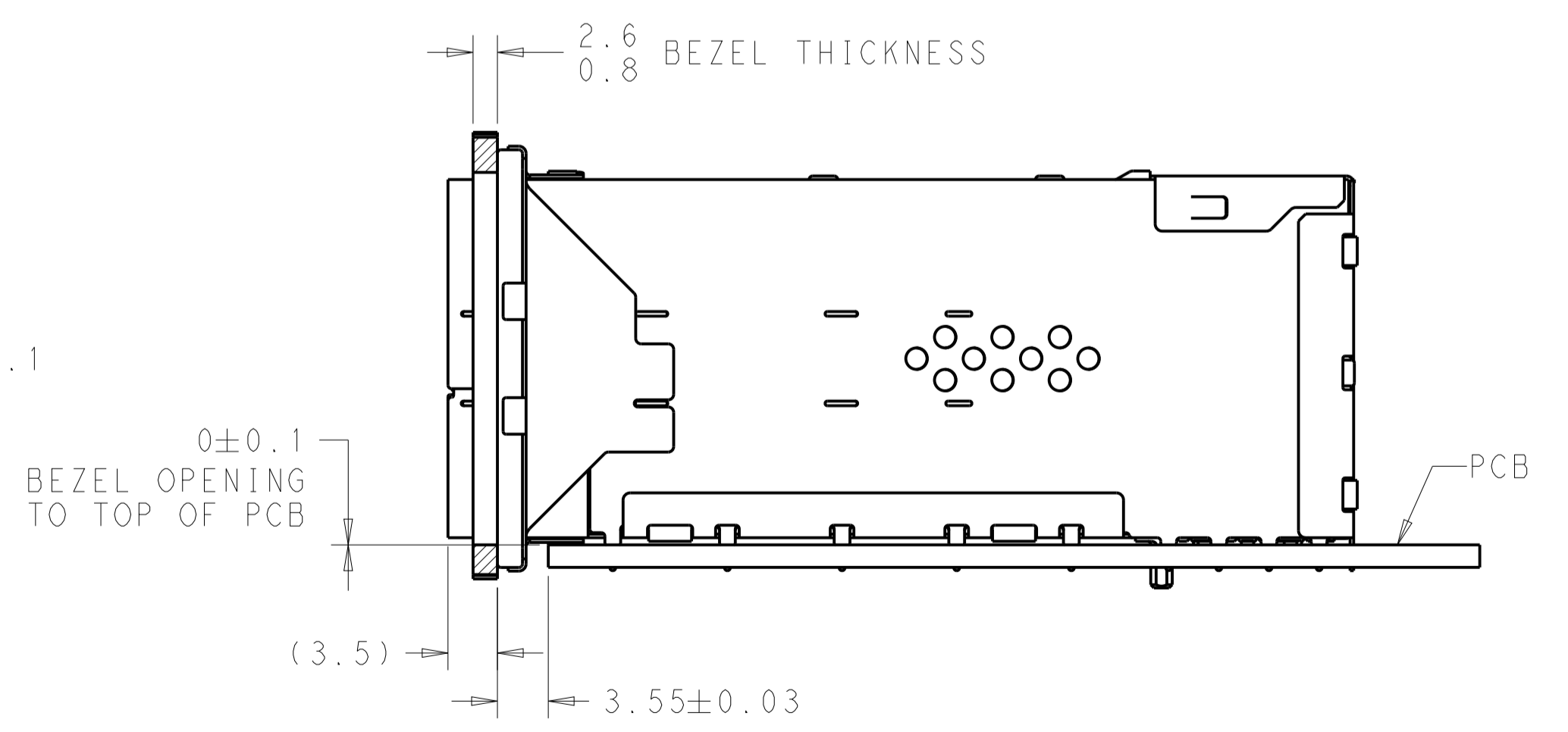


DETAIL D
PIN MAP
6 PLACES
SCALE 20:1

| PIN MAP LEGEND | |
|----------------|------------|
| PIN NUMBER | FUNCTION |
| L1/T1 | VEET |
| L2/T2 | TX-FAULT |
| L3/T3 | TX-DISABLE |
| L4/T4 | SDA |
| L5/T5 | SCL |
| L6/T6 | MOD_ABS |
| L7/T7 | RSO |
| L8/T8 | RX_LOS |
| L9/T9 | RS1 |
| L10/T10 | VEER |
| L11/T11 | VEER |
| L12/T12 | RD- |
| L13/T13 | RD+ |
| L14/T14 | VEER |
| L15/T15 | VCCR |
| L16/T16 | VCCT |
| L17/T17 | VEET |
| L18/T18 | TD+ |
| L19/T19 | TD- |
| L20/T20 | VEET |



RECOMMENDED BEZEL CUT-OUT DETAIL
SCALE 5:2



RECOMMENDED BEZEL LOCATION WITH EMI GASKET
SCALE 5:2

| | | | |
|--|--|------------------------|--|
| THIS DRAWING IS A CONTROLLED DOCUMENT. | | OWN: J. WANG 26FEB2019 | TE Connectivity |
| DIMENSIONS: mm | | CHK: S. HAN 26FEB2019 | |
| TOLERANCES UNLESS OTHERWISE SPECIFIED: | | APVD: S. HAN 26FEB2019 | NAME: RECEPTACLE ASSEMBLY, 2X6, STACKED, SFP56 |
| 0 PLC ±0.25 1 PLC ±0.25 2 PLC ±0.25 3 PLC ±0.25 4 PLC ±0.25 ANGLES ±° | | PRODUCT SPEC: 108-2481 | |
| MATERIAL: SEE NOTES | | FINISH: SEE NOTES | APPLICATION SPEC: 114-13319 |
| CUSTOMER DRAWING | | SCALE: 1:1 | RESTRICTED TO: A100779C=2347721 |
| | | SHEET: 7 OF 7 | REV: B |

X-ON Electronics

Largest Supplier of Electrical and Electronic Components

Click to view similar products for [I/O Connectors](#) category:

Click to view products by [TE Connectivity](#) manufacturer:

Other Similar products are found below :

[571763P](#) [72.250.1628.2](#) [72.250.2428.2](#) [74720-0505](#) [76.350.0729.0](#) [76871-1403](#) [FCN-244F080-G/1](#) [FCN-260A9920](#) [MP-5T180MUNNA-005](#)
[PCR-E36PM](#) [PCS-XE26MA+](#) [G38A71314B](#) [1571250010](#) [157-22500-3](#) [MS3471L14-19P L/C](#) [91-569786-35H](#) [172501-4002](#) [172501-6002](#)
[FCN-260C008-A/L0](#) [FCN-260C024-AL0](#) [FCN-261Z008](#) [2000314-1](#) [200331-1](#) [PCR-E36FC+](#) [PCS-E28FS+](#) [PCS-XE26SLFD+](#) [PCS-](#)
[XE26SLFDT+](#) [G730VID08BDC24](#) [HDMR-29-01-S-SM-TR](#) [U90B2054081210](#) [UE86K842720321](#) [38113800006](#) [DP3AR020WQ1R200](#)
[Z4.102.0680.0](#) [500-1040](#) [500-1052](#) [500-1054](#) [ZP-4008-66L](#) [0709821002](#) [10-565995-597N](#) [5554841-1](#) [U90B3054061110](#) [U65-E04-4020](#)
[ZPF00000000097891](#) [557-262M2-06C](#) [747360449](#) [10099439-003C-TRLF](#) [10137239-0021LF](#) [E9320-001-01](#) [10137239-0011LF](#)