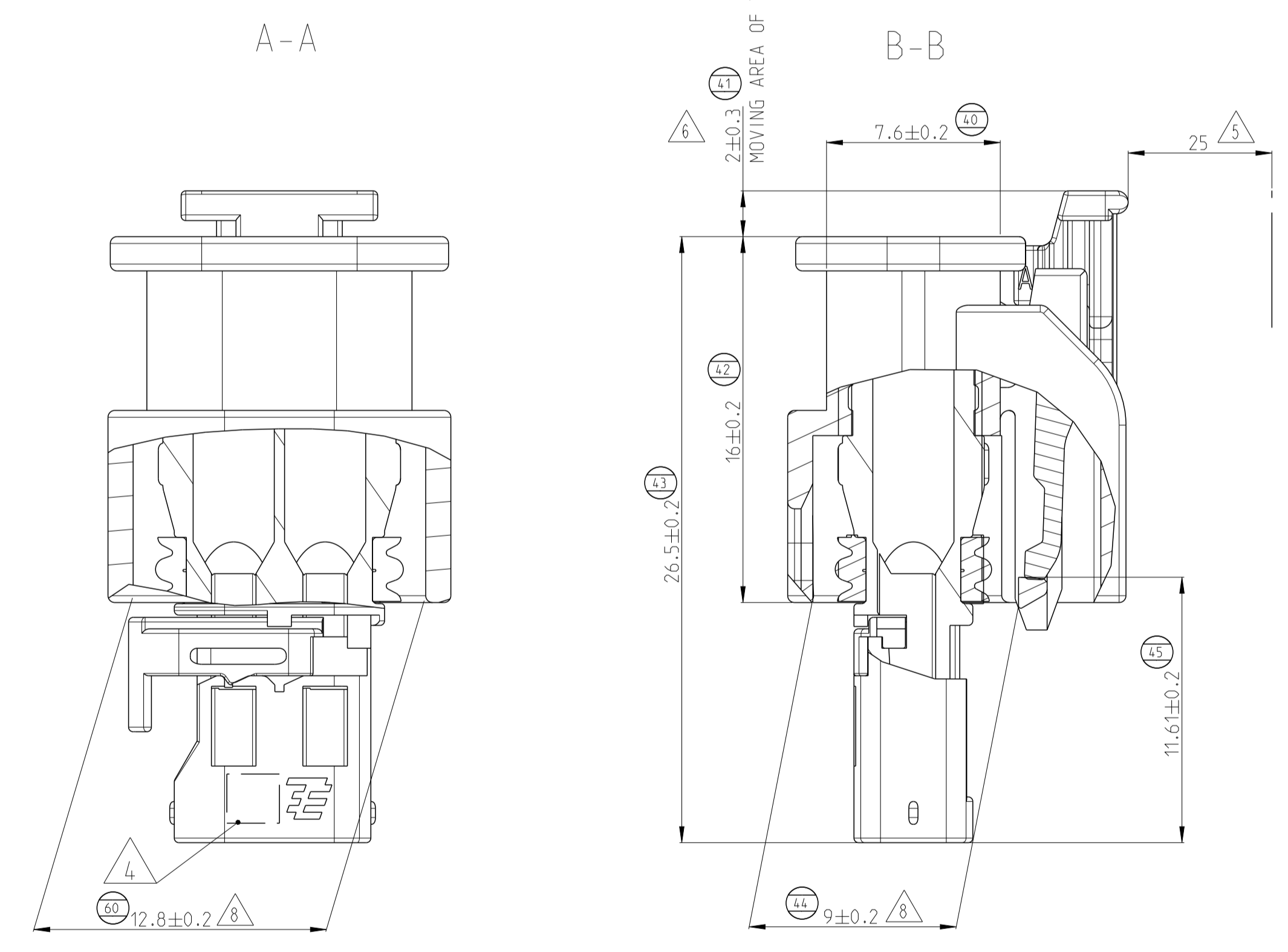
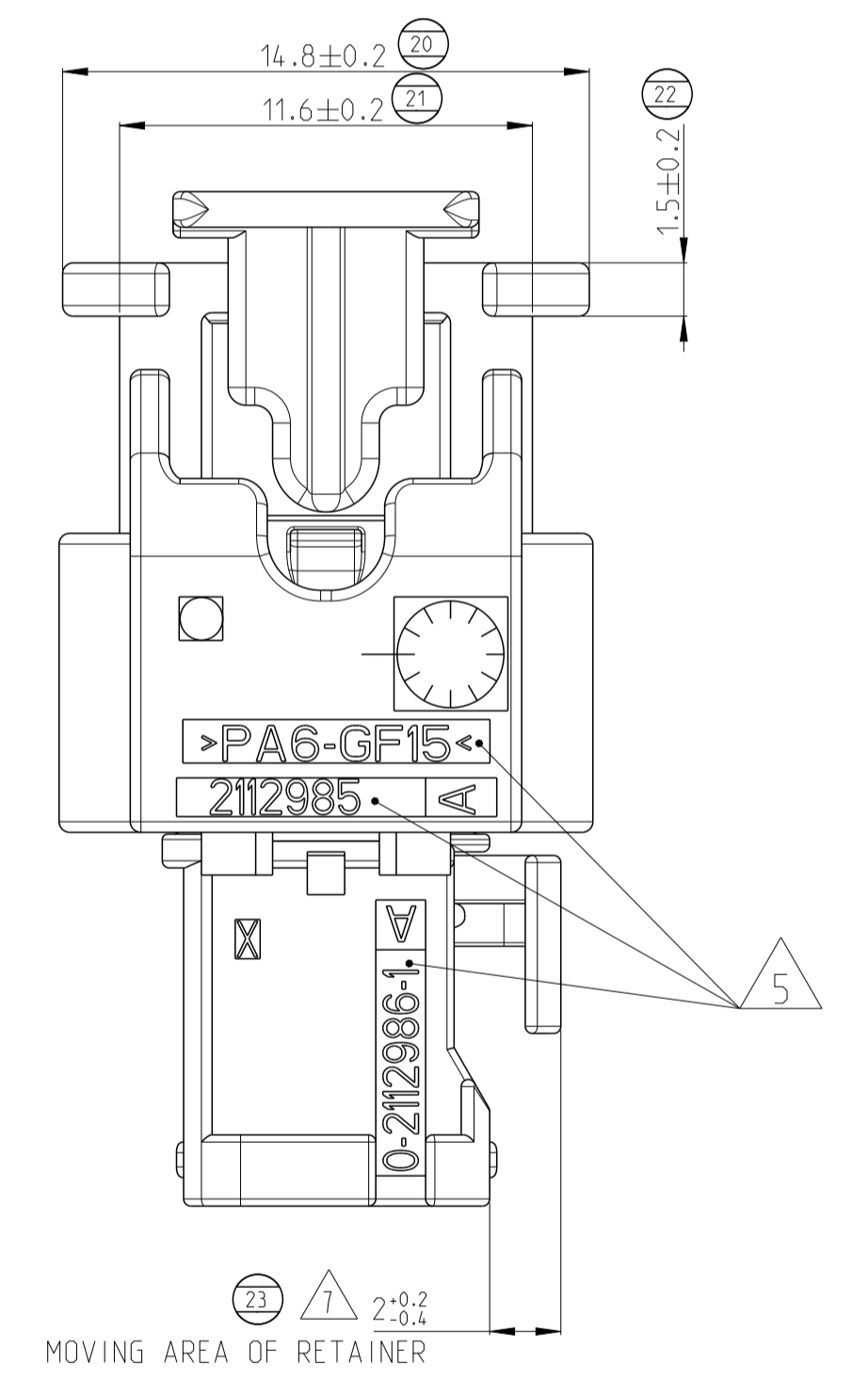
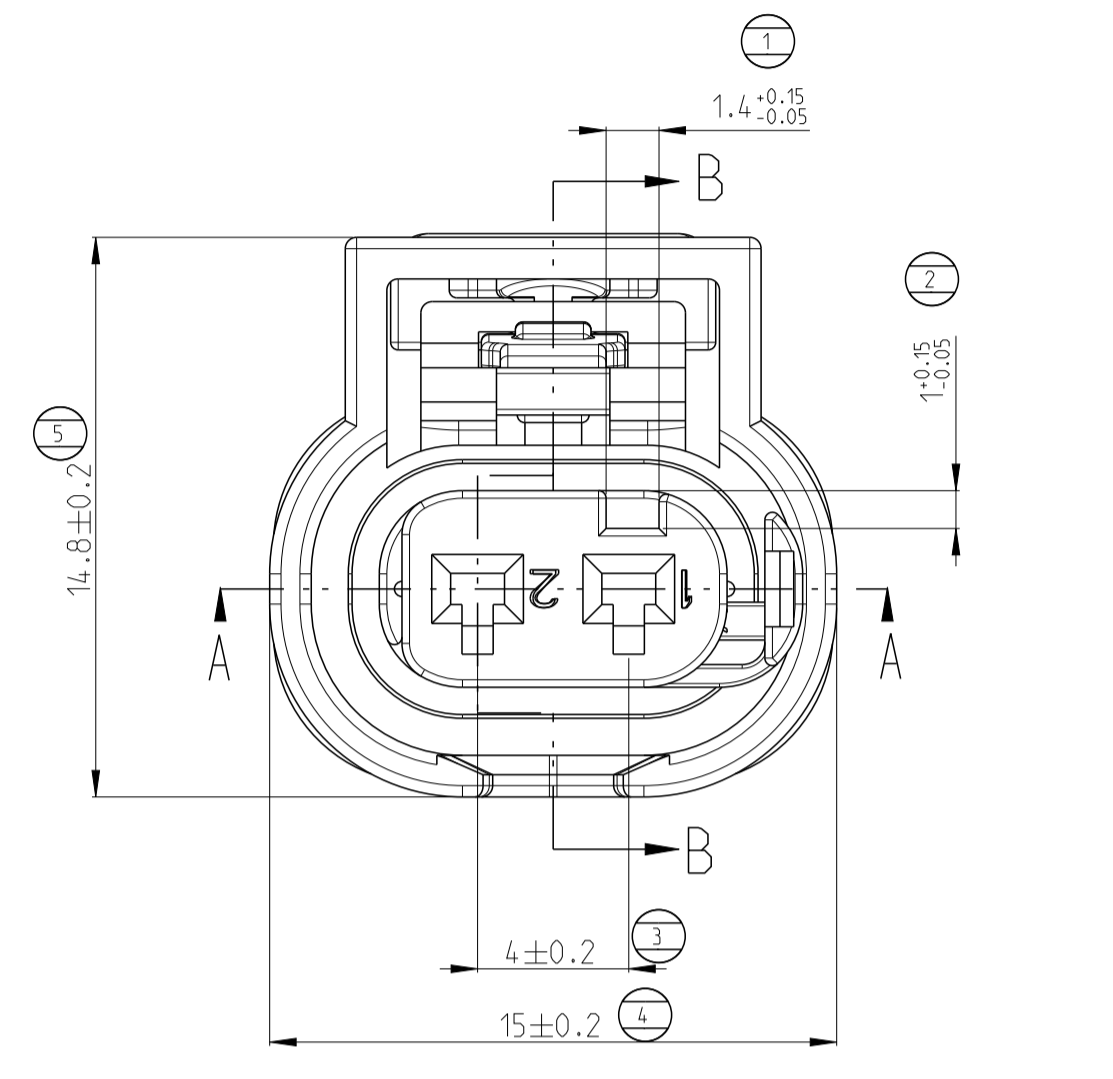


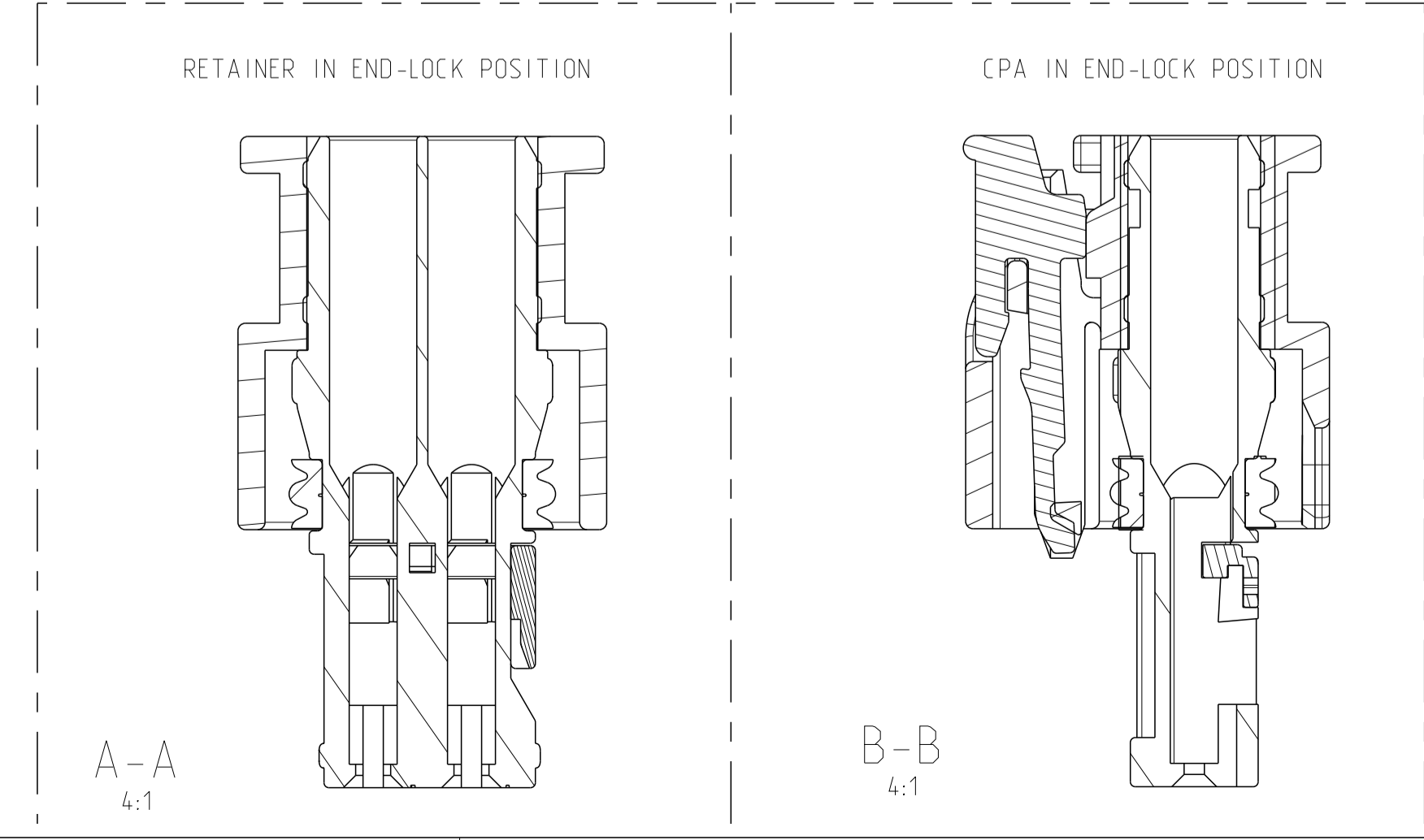
- NOTES:
- 1 AREA FOR PRINT
  - 2 USABLE CONTACTS MCON 1.2 LL  
SEE TE-NO. 1452674. SINGLE WIRE SYSTEM
  - 3 MAX. WIRE SIZE RANGE 1.0 mm<sup>2</sup> FLR PERMITTED  
FOR CAVITY-Ø 3.55mm  
QUANTITY SEE WIRE HARNESS DRAWING  
FOR PERMISSIBLE CURRENT CARRYING CAPACITY OF THE SINGLE CONTACT  
SEE PRODUCT SPECIFICATION NO. 108-18782
  - 4 SUPPLIER-MARK
  - 5 SPACE OF ACTIVITY. PN/REV AND MATERIAL OF OUTER COVER AND INNER HOUSING. CHANGABLE.
  - 6 SUPPLY CONDITION: CPA IN PRELOCKED POSITION
  - 7 SUPPLY CONDITION: RETAINER IN PRELOCKED POSITION
  - 8 INTERFACE WARPAGE PERMITTED TO MAX. +/-0.5mm
  - 9 TE ORDER-NO.
  - 10 ACCORDING TO INTERFACE DRAWING  
SEE TE-NO. 114-18679-3
  - 11 ASSEMBLY LINE SEGMENT IDENTIFICATION. OPTIONAL.
  - 12 DATE CODE (DDYY). OPTIONAL
  - 13 \*-2355506-\* IS SUZHOU VERSION OF \*-1718643-\*.  
BOTH HAVE THE SAME PERFORMANCE.  
ALSO ARE MADE FROM THE SAME MOLDS AND THE SAME AUTOMATION MACHINE.
  - 14 PN -1/-8 INNER HOUSING WITH PA66-GF30. PN -5/-9 INNER HOUSING WITH PBT-GF30.
  - 15 \*-2355506-\* IS SZHOU VERSION OF \*-1823608-\*/\*-1718643-\*/\*-1670916-\*.  
BOTH HAVE THE SIMILAR PERFORMANCE.

CODING 1-1 AS SHOWN

REVISIONS				
P	LTM	DESCRIPTION	DATE	APPV
A5		ADD NEW CODE 4-1	28SEP21	Z.J J.Z
A6		CORRECTION OF PN 4-1	15MAR22	Z.J J.Z
A7		ADD NEW PN -7	30NOV22	Z.J J.Z
A8		ECN-23-193761	11JAN23	Q.L J.Z



TE ORDER-NO.	COD	TITLE	REV	QTY	TITLE	MATERIAL	SURFACE / COLOUR	ITEM
2-2355506-7	B	CONNECTOR 2POS.	A	1	CPA	PA46-GF15	RED	5
				1	SEAL	MVQ	NATURE	4
				1	RETAINER	PA66-GF15	VIOLET	3
				1	OUTER HOUSING	PA6-GF15	YELLOW	2
				1	INNER HOUSING	PA66-GF30	BROWN	1
1-2355506-7	A	CONNECTOR 2POS.	A	1	CPA	PA46-GF15	RED	5
				1	SEAL	MVQ	NATURE	4
				1	RETAINER	PA66-GF15	VIOLET	3
				1	OUTER HOUSING	PA6-GF15	YELLOW	2
				1	INNER HOUSING	PA66-GF30	BLACK	1
4-2355506-1	D	CONNECTOR 2POS.	A	1	CPA	PA46-GF15	GREY	5
				1	SEAL	MVQ	NATURE	4
				1	RETAINER	PA66-GF15	VIOLET	3
				1	OUTER HOUSING	PA6-GF15	BLACK	2
				1	INNER HOUSING	PA66-GF30	VIOLET	1
3-2355506-8 3-2355506-9	C	CONNECTOR 2POS. W/O CPA	A	1	CPA	PA46-GF15	GREY	5
				1	SEAL	MVQ	NATURE	4
				1	RETAINER	PA66-GF15	VIOLET	3
				1	OUTER HOUSING	PA6-GF15	BLACK	2
				1	INNER HOUSING	PA66-GF30/PBT-GF30	BLUE	1
2-2355506-8 2-2355506-9	B	CONNECTOR 2POS. W/O CPA	A	1	SEAL	MVQ	NATURE	4
				1	RETAINER	PA66-GF15	VIOLET	3
				1	OUTER HOUSING	PA6-GF15	BLACK	2
				1	INNER HOUSING	PA66-GF30/PBT-GF30	NATURE	1
1-2355506-8 1-2355506-9	A	CONNECTOR 2POS. W/O CPA	A	1	SEAL	MVQ	NATURE	4
				1	RETAINER	PAA66-GF15	VIOLET	3
				1	OUTER HOUSING	PA6-GF15	BLACK	2
				1	INNER HOUSING	PA66-GF30/PBT-GF30	BLACK	1
3-2355506-1 3-2355506-5	C	CONNECTOR 2POS.	A	1	CPA	PA46-GF15	GREY	5
				1	SEAL	MVQ	NATURE	4
				1	RETAINER	PA66-GF15	VIOLET	3
				1	OUTER HOUSING	PA6-GF15	BLACK	2
				1	INNER HOUSING	PA66-GF30/PBT-GF30	BLUE	1
2-2355506-1 2-2355506-5	B	CONNECTOR 2POS.	A	1	CPA	PA46-GF15	GREY	5
				1	SEAL	MVQ	NATURE	4
				1	RETAINER	PA66-GF15	VIOLET	3
				1	OUTER HOUSING	PA6-GF15	BLACK	2
				1	INNER HOUSING	PA66-GF30/PBT-GF30	NATURE	1
1-2355506-1 1-2355506-5	A	CONNECTOR 2POS.	A	1	CPA	PA46-GF15	GREY	5
				1	SEAL	MVQ	NATURE	4
				1	RETAINER	PA66-GF15	VIOLET	3
				1	OUTER HOUSING	PA6-GF15	BLACK	2
				1	INNER HOUSING	PA66-GF30/PBT-GF30	BLACK	1



THIS DRAWING IS A CONTROLLED DOCUMENT.		OWN J. ZE	23APR2019		TE Connectivity
DIMENSIONS: mm		CHK J. ZONG	23APR2019		
TOLERANCES UNLESS OTHERWISE SPECIFIED:		APVD YIN	23APR2019	NAME 2POS. MCON 1.2 - LL CONN. SLD	RESTRICTED TO
0 PLC 1 PLC 2 PLC 3 PLC 4 PLC		PRODUCT SPEC 108-32646	APPLICATION SPEC 114-18861		
MATERIAL FINISH		WEIGHT 2.4g	SIZE A	CAGE CODE 00779	DRAWING NO. C=2355506
		CUSTOMER DRAWING	SCALE 5:1	SHEET 1	OF 1

## X-ON Electronics

Largest Supplier of Electrical and Electronic Components

*Click to view similar products for [Automotive Connectors](#) category:*

*Click to view products by [TE Connectivity](#) manufacturer:*

Other Similar products are found below :

[003-018-000](#) [60993906-B](#) [72.330.1035.1](#) [F358300-B](#) [F407400](#) [776880-1](#) [827153-1](#) [8N1515-32-24P](#) [9-1326729-8](#) [925474-1](#) [928905-1](#)  
[964562-4](#) [968782-1](#) [98891-1012](#) [12004475-L](#) [12041318-B](#) [12052466](#) [12015909](#) [1-21030-1](#) [12041318](#) [12047957](#) [12185550](#) [12336-12](#)  
[12147304](#) [1-326211-1](#) [13681974](#) [13783086](#) [13832576](#) [13542772](#) [13675513](#) [1428188-1](#) [1437287-3](#) [1428188-2](#) [DS07-19S-5020](#) [1456983-5](#)  
[1456987-7](#) [APD-7CP-H](#) [APK-SB25A10L](#) [1452931-2](#) [15336198](#) [15491972](#) [15305306](#) [15396680](#) [15425613](#) [15518544](#) [15522351](#) [1719636-1](#)  
[172190-2](#) [172190-5](#) [192900-0402](#)