

THIS DRAWING IS UNPUBLISHED.

RELEASED FOR PUBLICATION

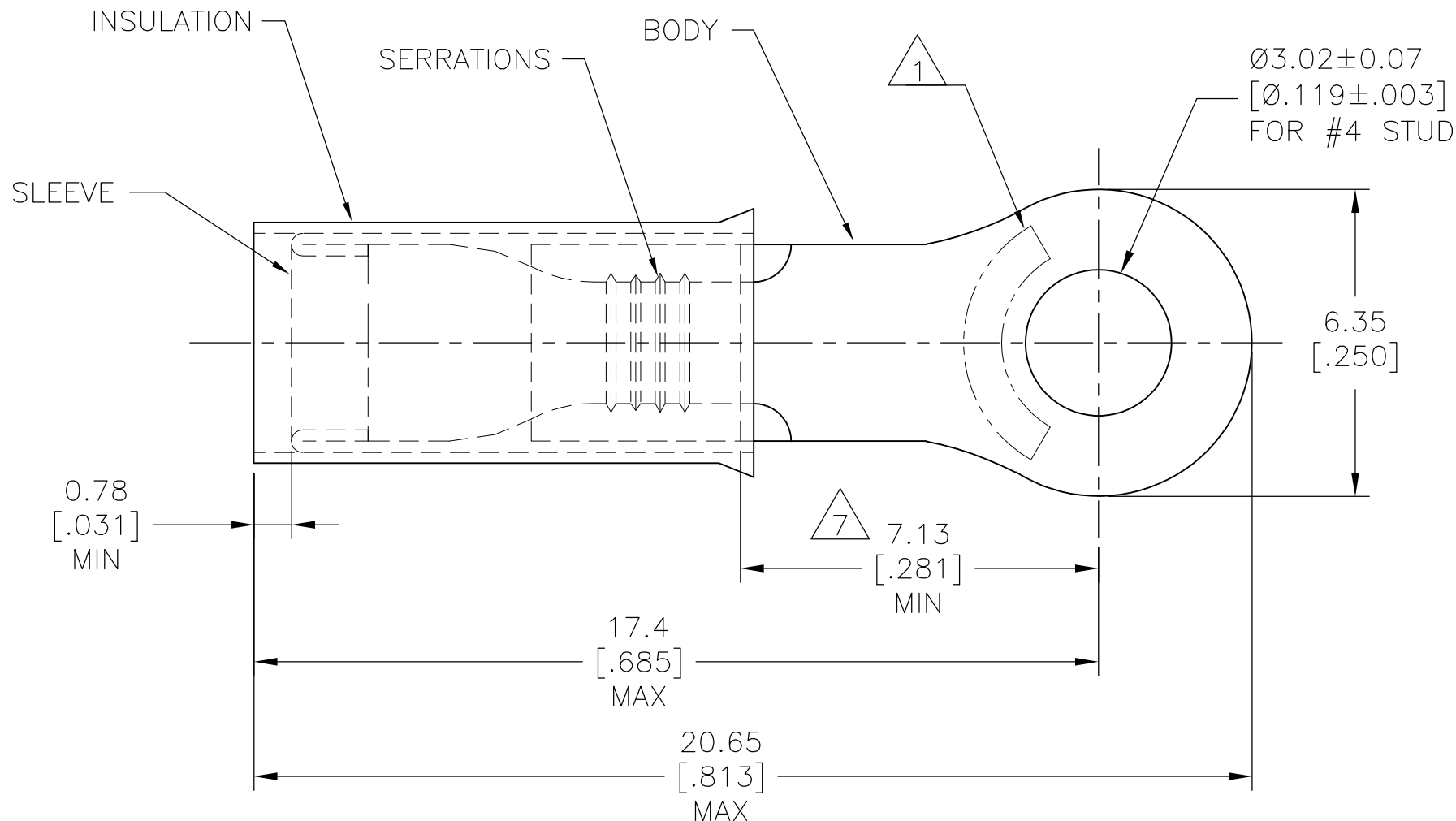
ALL RIGHTS RESERVED.

© COPYRIGHT - By -

REVISIONS

| P | LTR | DESCRIPTION | DATE | DWN | APVD |
|---|-----|---------------------------|-----------|-----|------|
| | E3 | REVISED PER ECR-16-018297 | 16JAN2017 | BDA | DR |

| | | |
|--------------------------------|--------------------------------|--------------------------------|
| AMP WIRE RANGE | Listed | LR7189 Certified |
| 16-14 AWG SOLID OR STRANDED | 16-14 AWG SOLID OR STRANDED | 16-14 AWG SOLID OR STRANDED |



- 1 STAMP AMP 16-14*, APPROX AS SHOWN.
- 2 TONGUE THICKNESS IS 0.78±0.05 [.031±.002]
- 3 FOR 2.66[.105]-3.81[.150] WIRE INSULATION DIA
- 4 MAX RECOMMENDED OPERATING TEMP IS 105°C[221°F].
- 5 300 VOLT MAX RATING.
- 6 WIRE CROSS SECTIONAL AREA RANGE 1.04-2.62mm [2,050-5,180 CIR MILS]
- 7 APPLIES FROM EDGE OF METAL WIRE BBL TO CENTER OF STUD HOLE.

| | | | |
|------|-------------|--|---------|
| 1000 | LOOSE PIECE | BODY & SLEEVE: COPPER PER ASTM B152 TIN PL. PER ASTM B-545 INSULATION: NYLON PER ASTM D4066, TYPE I COLOR: BLUE | 323676 |
| QTY | PACKAGING | MATERIAL / FINISH | PART NO |

| | | | | |
|--|---------------------|---------------------------------|-------------------|-----------|
| THIS DRAWING IS A CONTROLLED DOCUMENT. | | DWN jr_ruth 01MAR10 | TE Connectivity | |
| DIMENSIONS: mm [INCHES] | | CHK T MICHELUTTI 01MAR10 | | |
| TOLERANCES UNLESS OTHERWISE SPECIFIED: | | APVD T MICHELUTTI 01MAR10 | NAME | |
| 0 PLC ± - | | PRODUCT SPEC | WIRE TERMINAL | |
| 1 PLC ± - | | UL486A-B | PIDG, RING TONGUE | |
| 2 PLC ± - | | APPLICATION SPEC | WIRE SIZE: 16-14 | |
| 3 PLC ± .008 | | 114-2157 | SIZE | CAGE CODE |
| 4 PLC ± - | | WEIGHT | DRAWING NO | |
| ANGLES ± 1° | | - | RESTRICTED TO | |
| MATERIAL SEE TABLE | FINISH SEE TABLE | A300779 | | C-323676 |
| CUSTOMER DRAWING | | SCALE | SHEET | REV |
| | | 8:1 | 1 OF 1 | E3 |

X-ON Electronics

Largest Supplier of Electrical and Electronic Components

Click to view similar products for [Terminals](#) category:

Click to view products by [TE Connectivity](#) manufacturer:

Other Similar products are found below :

[00-054007-01074-6](#) [00-054007-70206-1](#) [00-054007-70210-8](#) [00-054007-70217-7](#) [00-054007-70226-9](#) [00-054007-70228-3](#) [00-054007-70248-1](#) [00-054007-70256-6](#) [00-054007-70301-3](#) [00-054007-70316-7](#) [0-0320562-0](#) [00-054007-49560-4](#) [00-054007-70209-2](#) [00-054007-70225-2](#) [00-054007-70227-6](#) [00-054007-70231-3](#) [00-054007-70241-2](#) [00-054007-70242-9](#) [00-054007-70244-3](#) [00-054007-70246-7](#) [00-054007-70263-4](#) [00-054007-70288-7](#) [00-054007-70290-0](#) [00-054007-70300-6](#) [00-054007-70304-4](#) [01-2065-1-0216](#) [01-2900-1-04412](#) [00581P0075](#) [600TS-10](#) [60205-1](#) [604200-1](#) [605601-1](#) [60598-1-CUT-TAPE](#) [61314-6-C](#) [61810-3](#) [61-S](#) [61-SN](#) [626-0194](#) [62-NBM-A](#) [62-SN](#) [62-SP](#) [63-S](#) [640179-1](#) [M55155/059I03](#) [M55155/079C01](#) [M55155/099H02](#) [M55155/109H01](#) [M55155/109H02](#) [M55155/12XH05](#) [M55155/16XH02](#)